

# STK 084G, 086G

thick film hybrid IC

50, 70W min AF POWER AMP.



### Features

- © IMST, 1 Channel by 2 Power Supply.
- AF Output Power STK 084G: 50 W min.  
STK 086G: 70 W min.
- Low distortion.
- Able to add a peripheral protector.

### MAXIMUM RATING/ $T_a=25^\circ\text{C}$

		STK 084G	STK 086G	unit
Maximum Supply Voltage	$V_{CC}$ max	$\pm 50$	$\pm 55$	V
Collector Current	$I_C$ max	—	7	A
Thermal Coefficient	$\theta_{j-c}(T_C=25^\circ\text{C})$	—	1.4	$^\circ\text{C}/\text{W}$
Operating Case Temperature	$T_C$	$\rightarrow$	90	$^\circ\text{C}$
Storage Temperature	$T_{stg}$	$\rightarrow$	-30 to +105	$^\circ\text{C}$
Allowable Load Shorting Time (in appointed condition)	$t_s$	2	—	sec

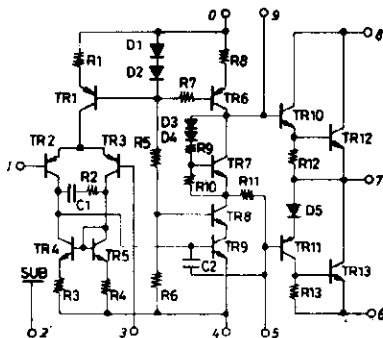
### RECOMMENDED OPERATION CONDITIONS / $T_a=25^\circ\text{C}$

		STK 084G	STK 086G	unit
Recommended Supply Voltage	$V_{CC}$	$\pm 35$	$\pm 42$	V
Load Resistance	$R_L$	$\rightarrow$	8	ohm

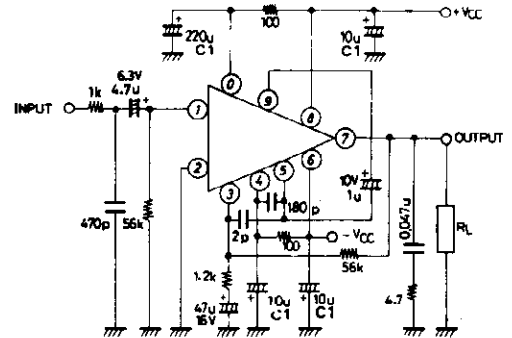
### OPERATION CHARACTERISTICS/ $T_a=25^\circ\text{C}$ , recommended $V_{CC}$ supplied, $R_L=8$ ohm, $R_g=600$ ohm, $V_G=33.4$ dB

		STK 084G	STK 086G	unit
Quiescent Current	$I_{CCO}$	$\rightarrow$	100	mAmax
Output Power	$P_o$	50	70	W min
Distortion	THD	$\rightarrow$	THD=0.03%, f=20 to 20kHz	% max
			$P_o=0.25\text{W}$ , f=20 to 20kHz	
Frequency Response	f	$\rightarrow$	10 to 100k	Hz
Input Resistance	$r_i$	$\rightarrow$	52k	ohm

### EQUIVALENT CIRCUIT



### APPLICATION: AF Power Amp.



	C1
STK 084G	50V
STK 086G	63V

See the operation characteristics on this specification.