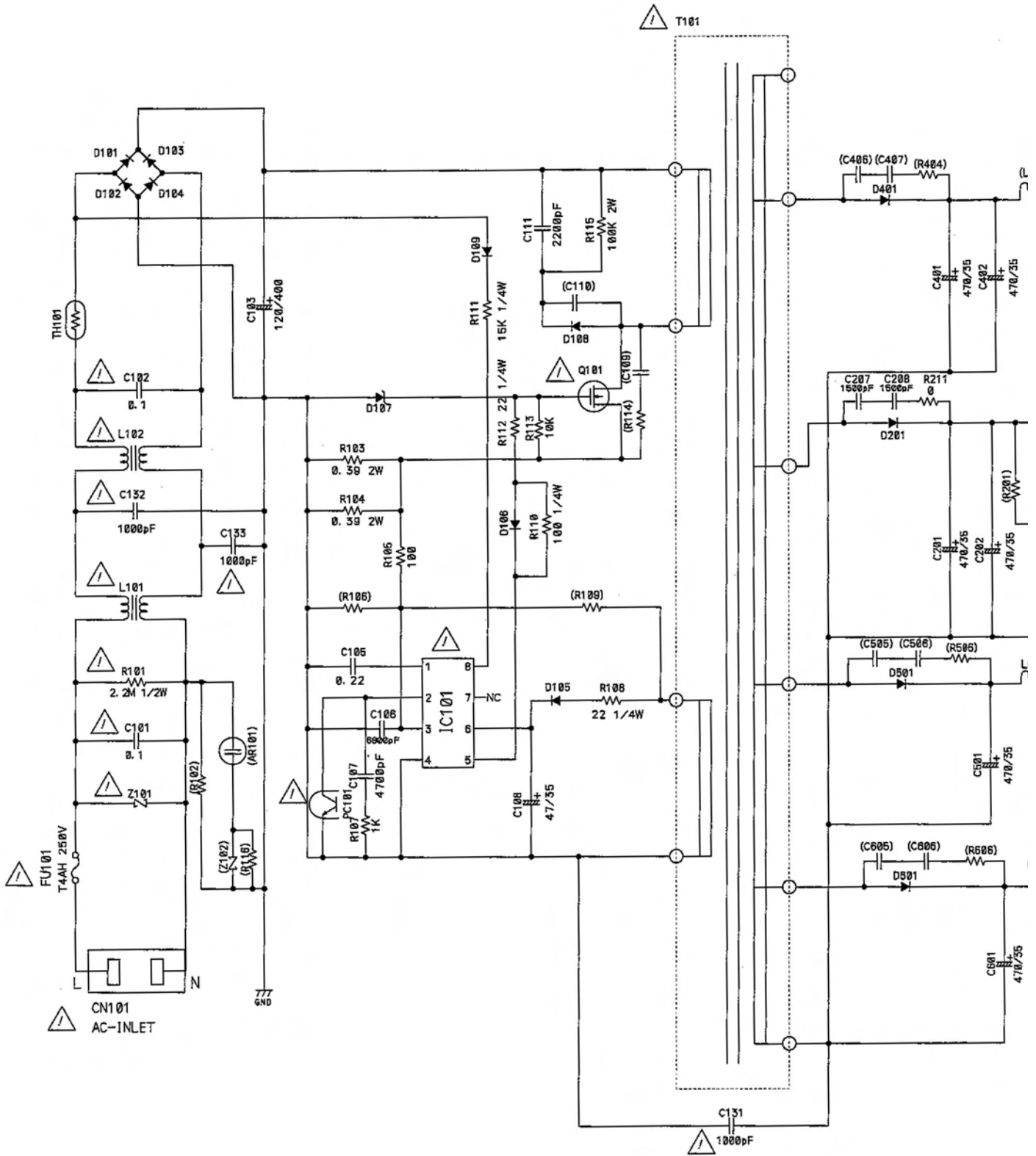
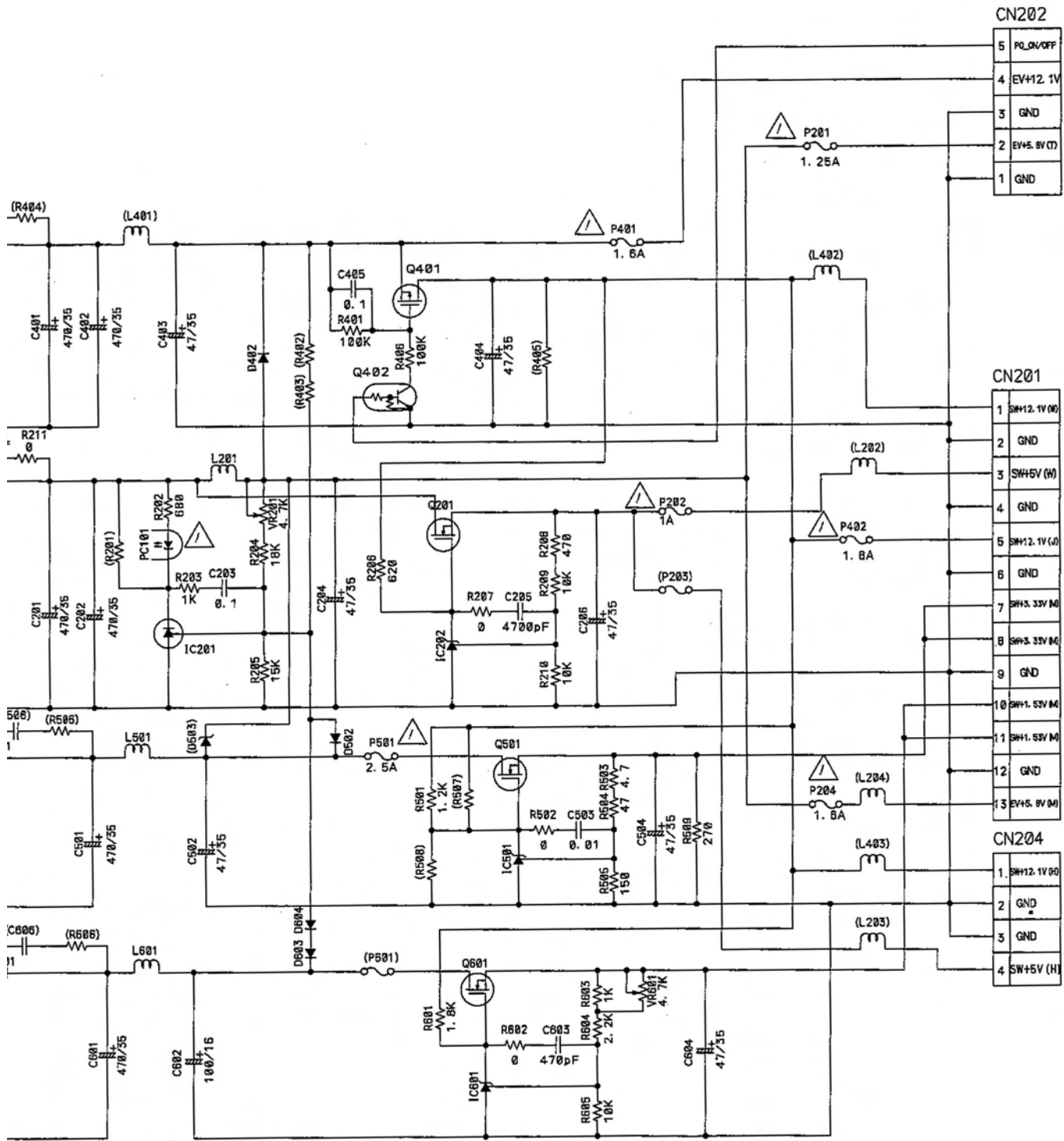


3.16 POWER SUPPLY UNIT

J POWER SUPPLY UNIT (VWR1399)



Unit	Resistor	Ω/W (under 1/4W for no direction W)
	Capacitor	$\mu F/V$ (under 50V for no direction V)



A 1/4 CN303

F 3/4 CN2401

to HDD

A
B
C
D
E
F