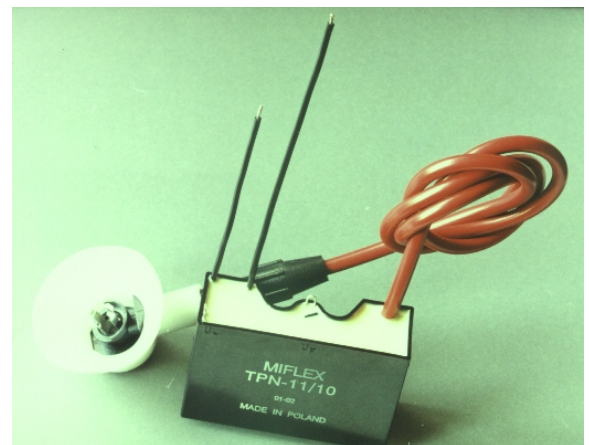
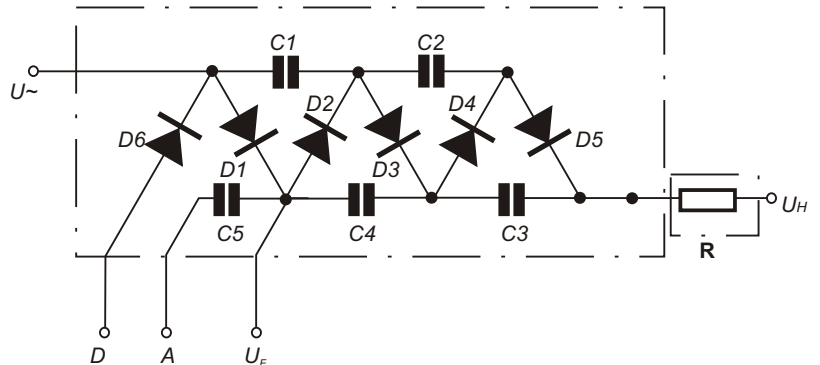
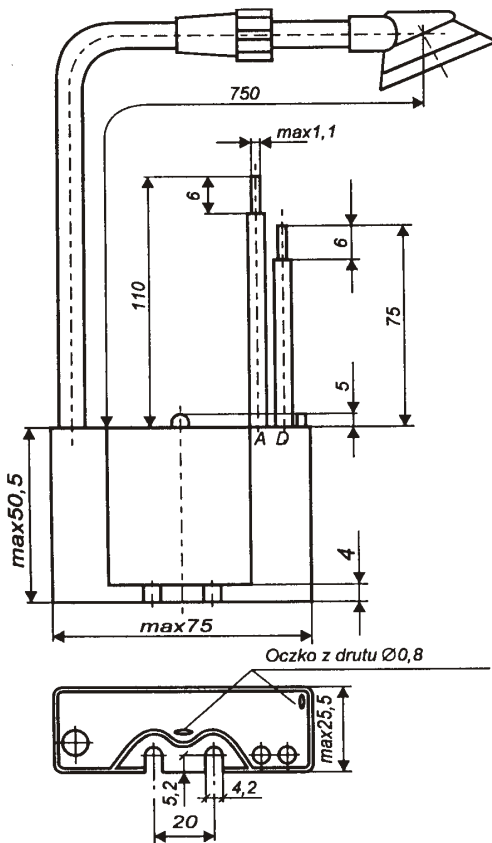


Triple TPN-11/10



Application:

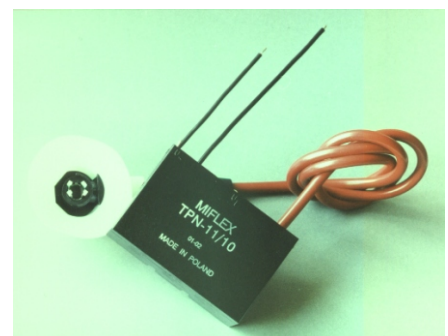
The TPN-11/10 high voltage multipliers are designed to produce the accelerating voltage, focus voltage and second-grid voltage in colour television receivers.

SERVICE RATED PARAMETERS (NOMINAL VALUES):

Input pulse voltage(peak-to-peak value):	8,6kV
Output voltage (U_H):	$25 \pm 0,5$ kV
Output current (I_H):	1,5mA
Input capacitance:	<14pF
Input resistance (Rps):	<550k

LIMIT VALUES OF MULTIPLIER PARAMETERS

Input pulse voltage(peak-to-peak value)	10kV
Output voltage (U_H):	27,5kV
Maximum focusing load current	400 μ A
Output current (I_H):	1,7mA
Maximum working temperature:	338K (65°C)
Storage temperature:	248÷343K (-25÷+70°C)
Specifications:	WT-87/1-TPN-11/10



MIFLEX-RELAX Sp. z o.o.

99-300 KUTNO UL. GRUNWALDZKA 3

Tel. (0-24) 355 13 34

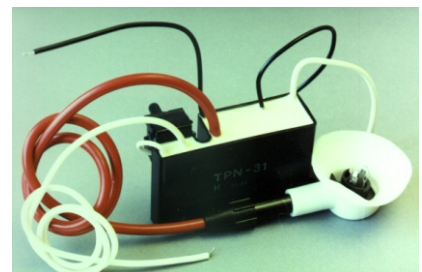
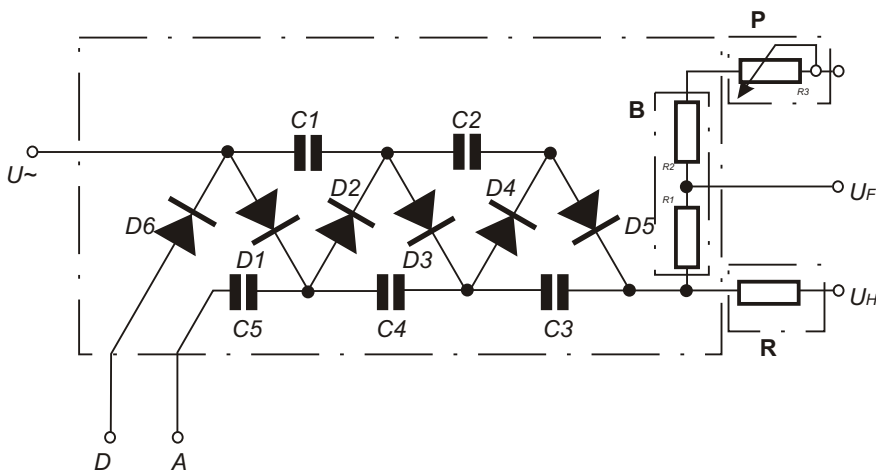
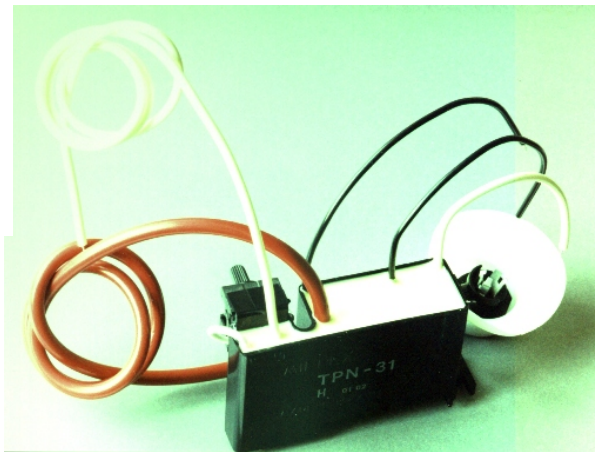
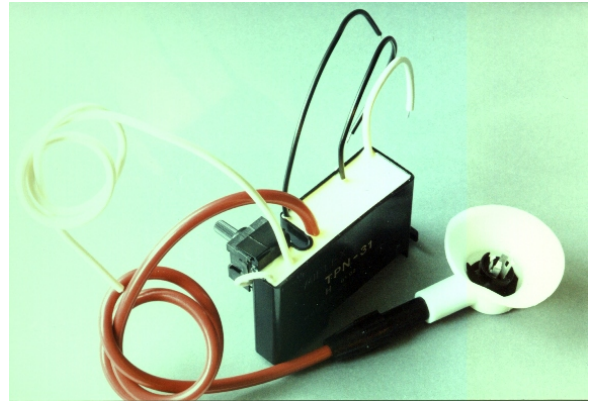
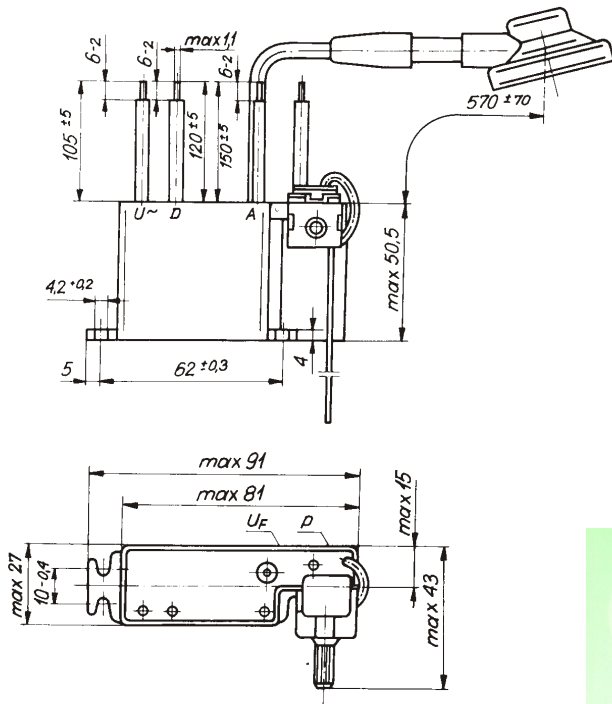
Fax. (0-24) 253 64 67

<http://www.miflexrelax.com.pl>

E-mail: miflexrelax@home.pl

Revision date: 2002.07.24

TPN-3.. Family



MIFLEX-RELAX Sp. z o.o.

99-300 KUTNO UL. GRUNWALDZKA 3

Tel. (0-24) 355 13 34

Fax. (0-24) 253 64 67

<http://www.miflexrelax.com.pl>

E-mail: miflexrelax@home.pl

Revision date: 2002.07.24

TPN-3.. Family

Application:

The TPN-30... Family high voltage multipliers are designed to produce the accelerating voltage, focus voltage and second-grid voltage in colour television receivers.

SERVICE RATED PARAMETERS (NOMINAL VALUES):

Input pulse voltage(peak-to-peak value):	8,6kV
Output voltage (U_H)	25±0,5kV
Output current (I_H):	1,5mA
Current of D6 diode (I_{D6})	3,5mA

LIMIT VALUES OF MULTIPLIER PARAMETERS

Input pulse voltage(peak-to-peak value)	10kV
Input pulse voltage(peak-to-peak value) without lead	10kV
Output voltage (U_H):	27,5kV
Output voltage without lead (U_H):	30kV
Output current (I_H):	1,7mA
Maximum current of D6 diode (I_{D6})	4mA
Maximum working temperature:	338K (65°C)
Storage temperature:	248÷343K (-25÷+70°C)
Input capacitance:	<14pF
Input resistance (R_{ps}):	<550k

	TPN-30	4,0÷5,3KV
Focusing range:	TPN-31	6,3÷7,6kV
	TPN-32	5,5÷6,5kV
	TPN-33	7,6÷8,4kV

Specifications:

WT-88/1-TPN



MIFLEX-RELAX Sp. z o.o.

99-300 KUTNO UL. GRUNWALDZKA 3

Tel. (0-24) 355 13 34

Fax. (0-24) 253 64 67

<http://www.miflexrelax.com.pl>

E-mail: miflexrelax@home.pl

Revision date: 2002.07.24

CROSS REFERENCE LIST

Lp	Miflex-Relax	Roederstein	König
1	TPN 11/10	-	-
2	TPN-30	-	-
3	TPN-31	-	-
4	TPN-32	-	-
5	TPN-33	-	-
6	TPN-40	BG 2077-642-1003	FWK 2077-642-1003
7	TPN-41	BG 2077-642-1004	FWK 2077-642-1004
8	TPN-42	BG 1895-641 LK	FWK 1895-641 LK
9	TPN-43	BG 1897-641-2...	FWK 1897-641-2...
10	TPN-44	BG 1897-642-2...	FWK 1897-642-2...
11	TPN-45	BG 2087-642-1006	FWK 2087-642-1006
12	TPN-46	BG 2087-642-1001	FWK 2087-642-1001
13	TPN-47	BG 2087-642-1002	FWK 2087-642-1002
14	TPN-48	BG 2097-641-3...	FWK 2097-641-3...
15	TPN-49	BG 2097-641-3LK	FWK 2097-641-3LK
16	TPN-50	BG 2097-642-3FS	FWK 2097-642-3FS
17	TPN-51	BG 1897-641-3	FWK 1897-641-3
18	TPN-52	BG 1897-642-3...	FWK 1897-642-3...
19	TPN-53	BG 2097-641-2LK	FWK 2097-641-2LK
20	TPN-54	BG 2097-642-2RS	FWK 2097-642-2RS
21	TPN-55	BG 2097-642-2FS	FWK 2097-642-2FS
22	TPN-56	BG 2097-642-3RS	FWK 2097-642-3RS
23	TPN-57	BG 2087-642-1013	FWK 2087-642-1013
24	TPN-58	BG 2032-642-3201	FWK 2032-642-3201
25	TPN-59	BG 2032-642-3202	FWK 2032-642-3202
26	TPN-60	BG 2087-642-1011	FWK 2087-642-1011
27	TPN-61	BG 2032-642-3005	FWK 2032-642-3005
28	TPN-62	BG 2032-642-3001	FWK 2032-642-3001
29	TPN-63	BG 2032-642-3002	FWK 2032-642-3002
30	TPN-64	BG 2032-642-3003	FWK 2032-642-3003
31	TPN-65	BG 1899-642-302	FWK 1899-642-302
32	TPN-66	-	FWK 196-15
33	TPN-67	-	FWK 196-17
34	TPN-68	-	FWK 196-27
35	TPN-69	-	FWK 196-37



MIFLEX-RELAX Sp. z o.o.

99-300 KUTNO UL. GRUNWALDZKA 3

Tel. (0-24) 355 13 34

Fax. (0-24) 253 64 67

<http://www.miflexrelax.com.pl>

E-mail: miflexrelax@home.pl

Revision date: 2002.07.24