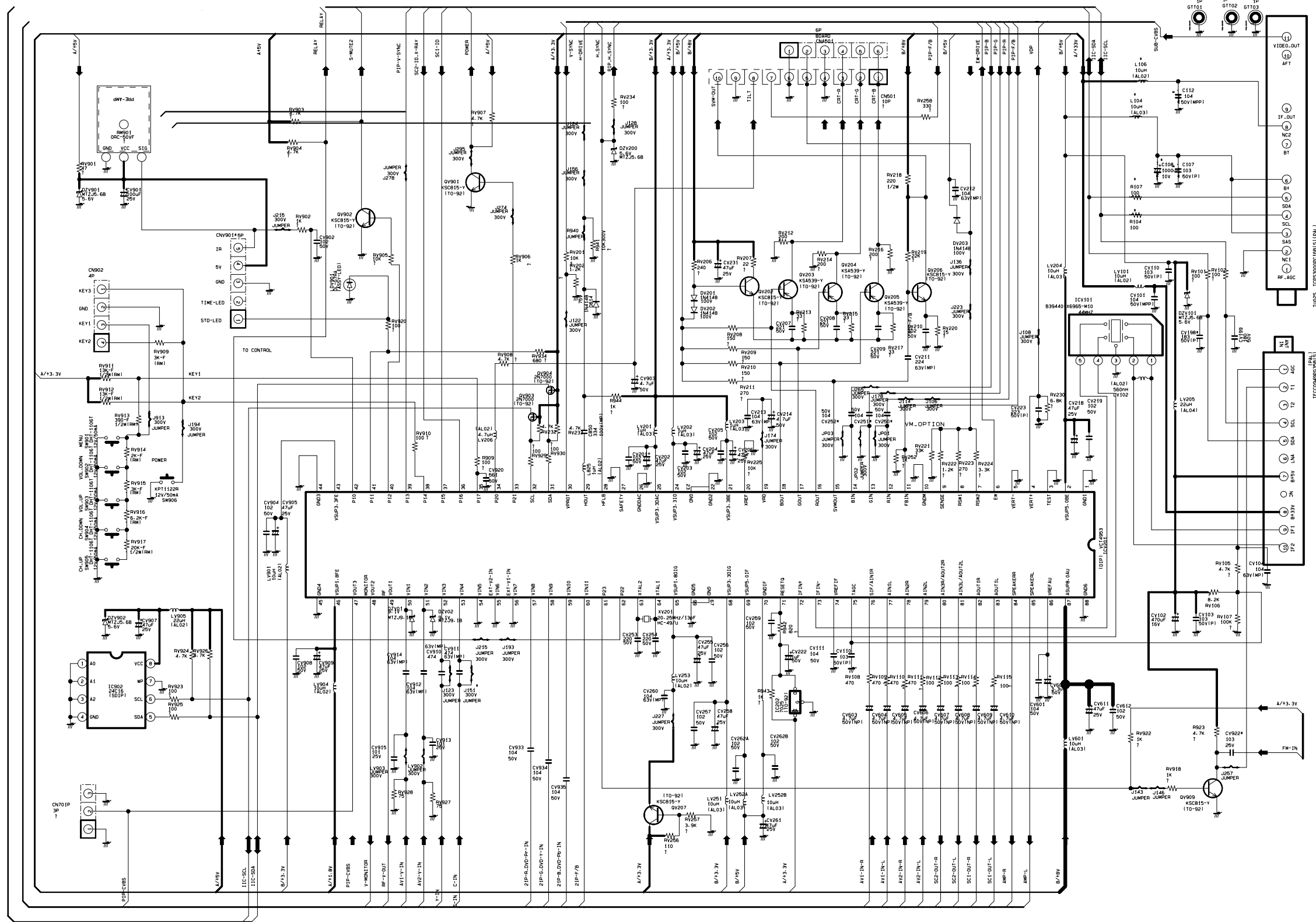


6. Schematic Diagrams

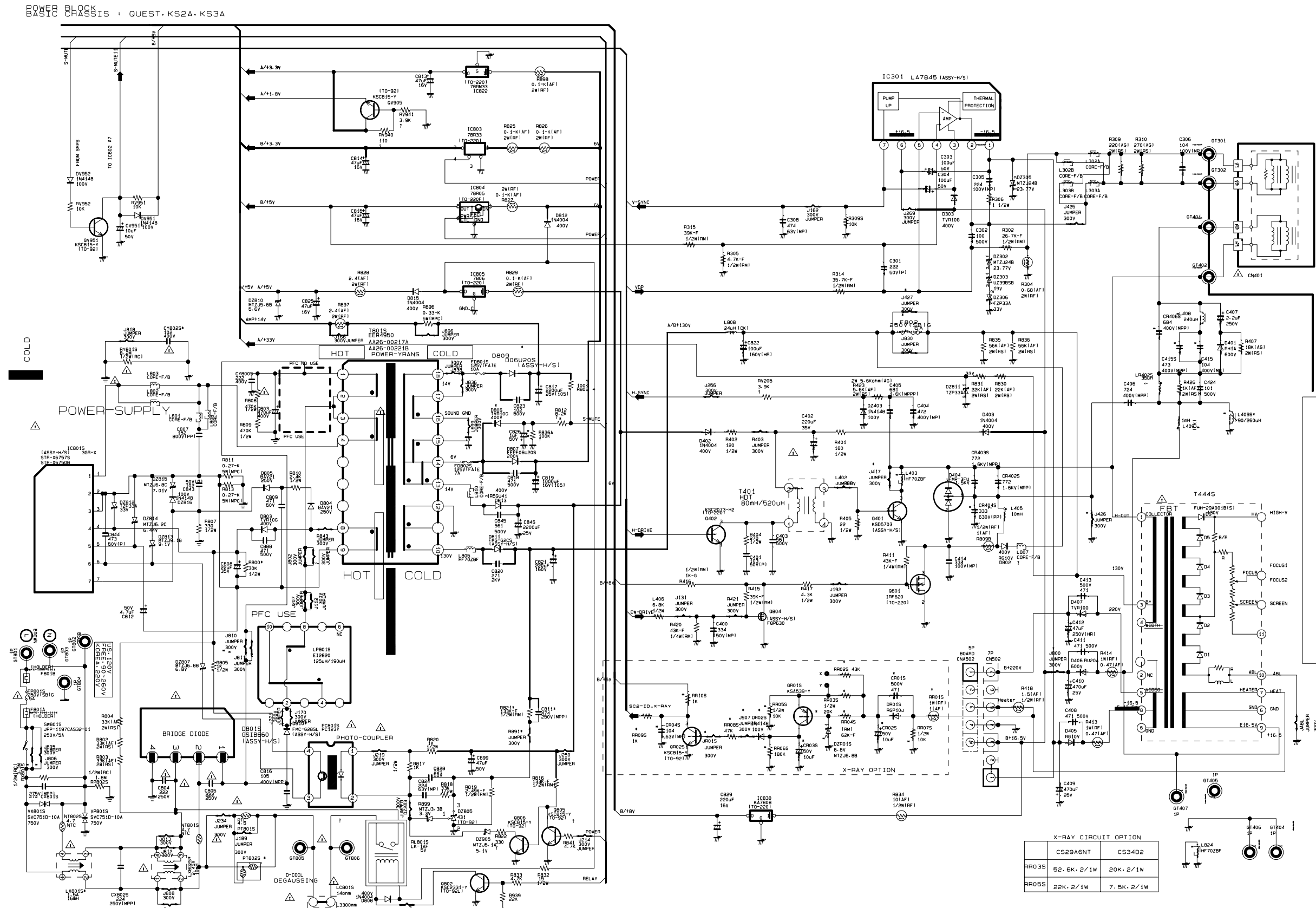
6-1 MAIN

This Document can not be used without Samsung's authorization.



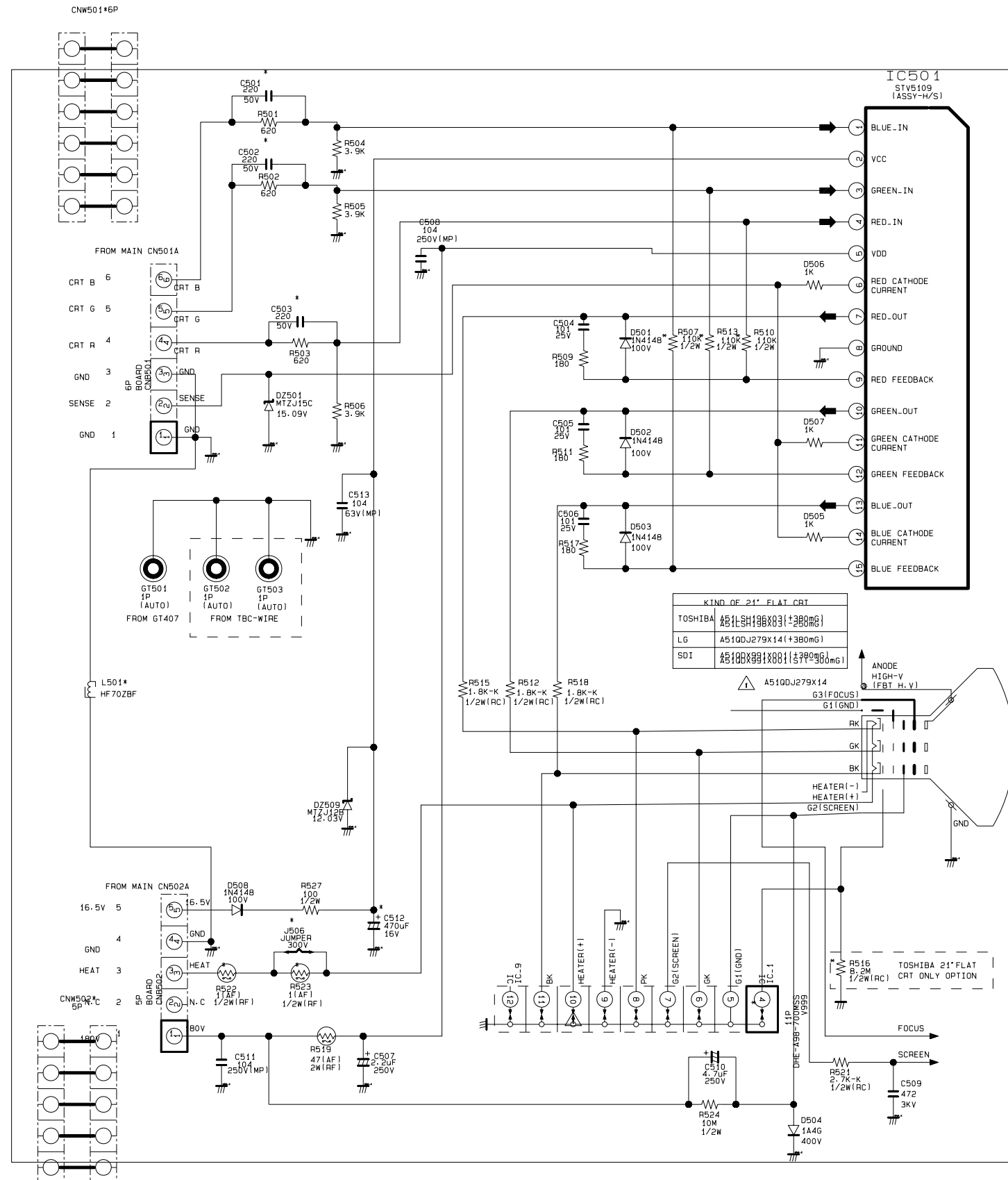
6-2 POWER

This Document can not be used without Samsung's authorization.



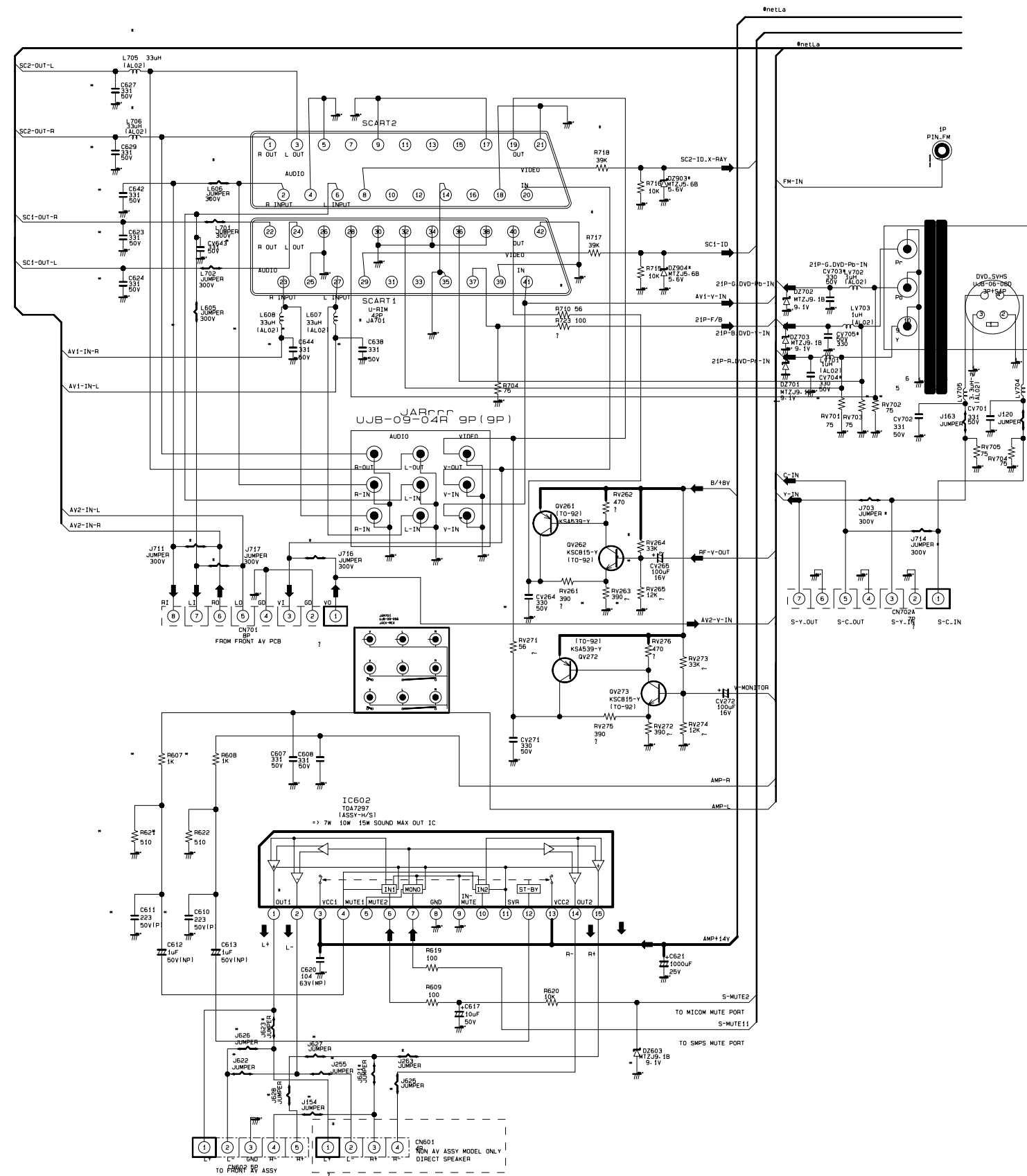
6-3 CRT

This Document can not be used without Samsung's authorization.



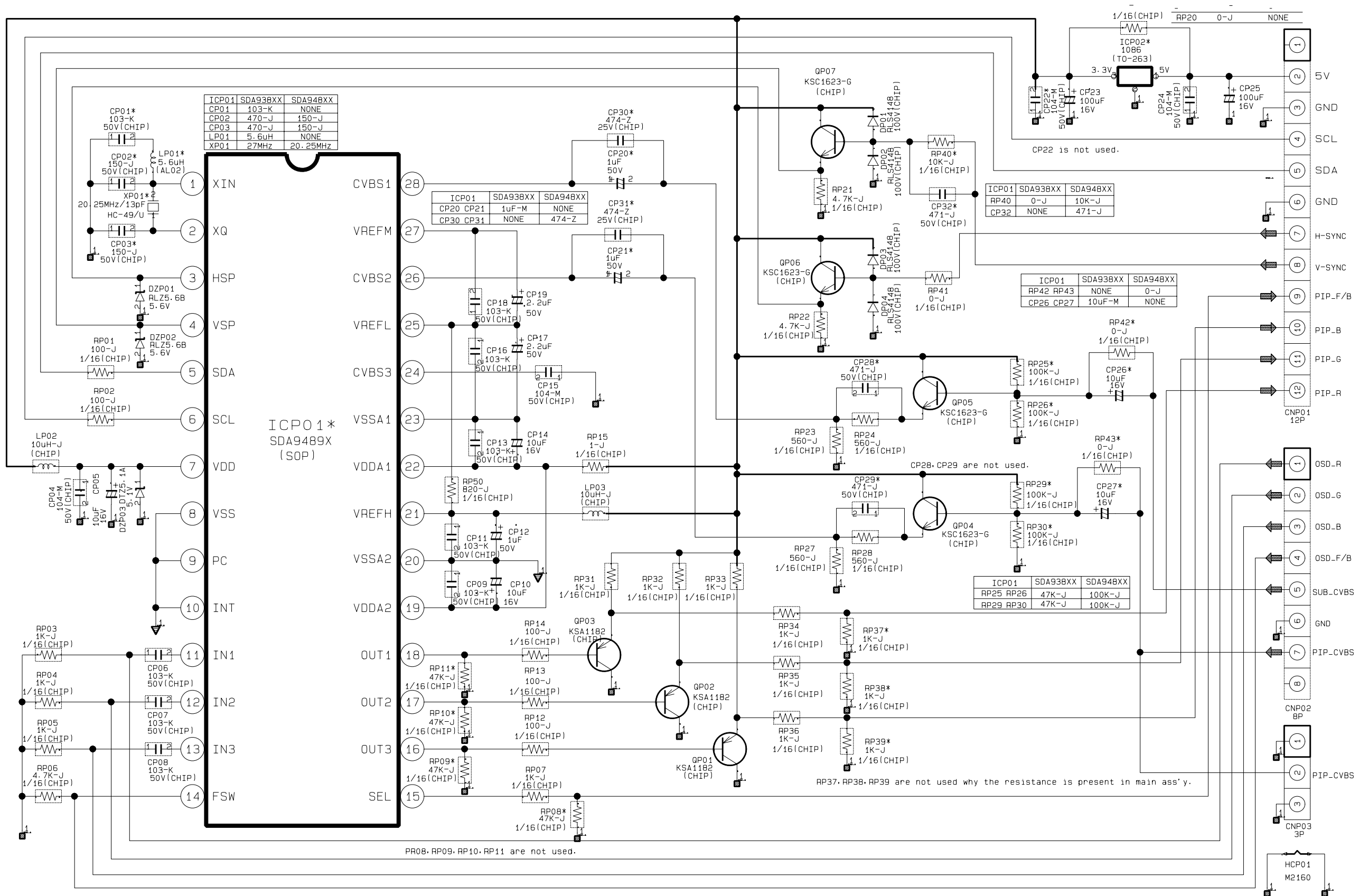
6-4 JACK

This Document can not be used without Samsung's authorization.



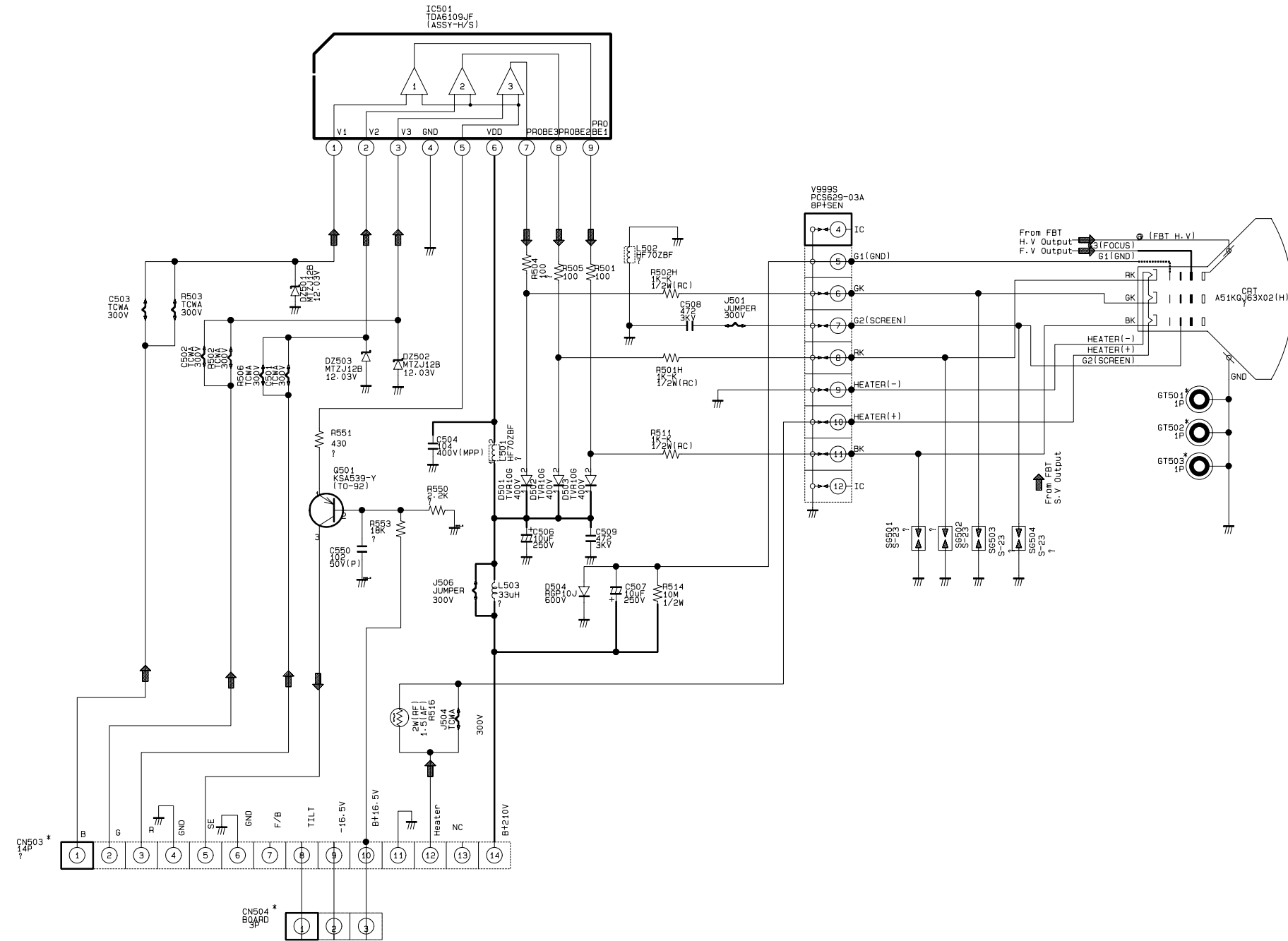
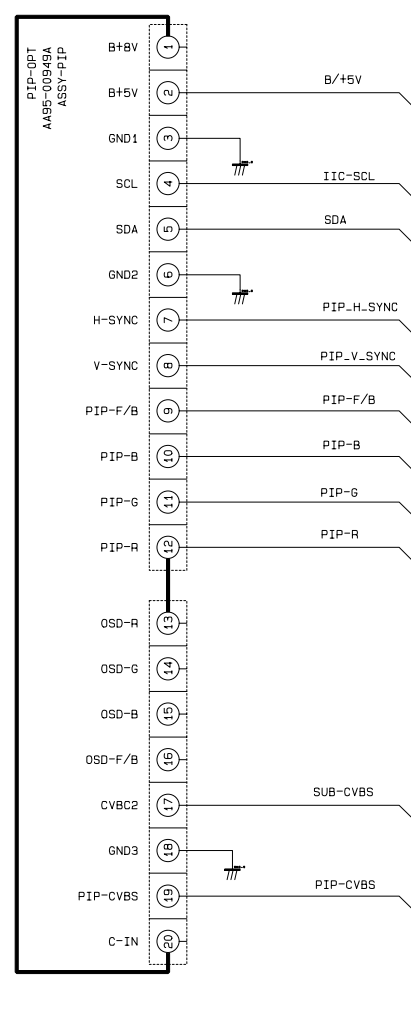
6-5 PIP MODULE

This Document can not be used without Samsung's authorization.



6-6 CRT 2

This Document can not be used without Samsung's authorization.



6-7 CONTROL

This Document can not be used without Samsung's authorization.

