



White Extra Bright LEDs

(sensitive to static electricity)

color temperature : 5000°k ~ 6500°k

Ta=25°C

Device No	Color		CIE Coordinates Typical		VF Typical (V)	Brightness (mcd)		View Angle 2θ1/2
	Material	Lens	X	Y		IV1	IV2	

φ 3									UNIT:mm	
			GalN/GaN	Water clear	0.30	0.31	3.3	4000	8000	29
					0.30	0.31	3.3	6000	11500	
					0.30	0.31	3.3	2500	4500	40
					0.30	0.31	3.3	3000	5600	

φ 5									UNIT:mm	
			GalN/GaN	Water clear	0.30	0.31	3.3	8000	16000	22
					0.30	0.31	3.3	10000	20000	
					0.30	0.31	3.3	4000	8000	43
					0.30	0.31	3.3	6000	11500	

φ 5									UNIT:mm	
			GalN/GaN	Water clear	0.30	0.31	3.3	1800	3500	80
					0.30	0.31	3.3	2600	5200	


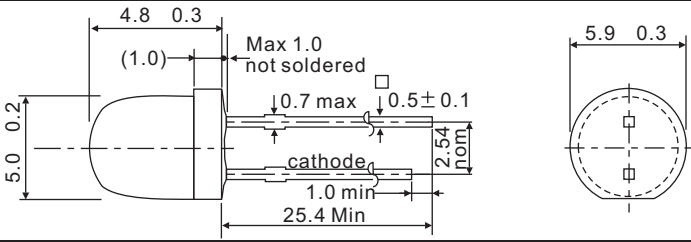
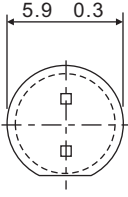

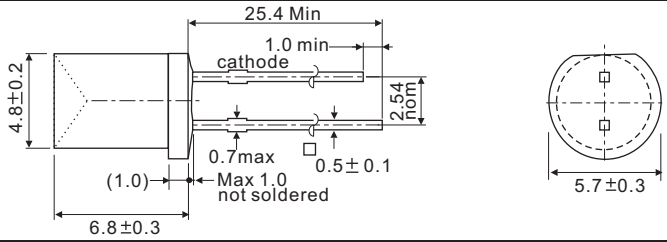
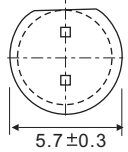
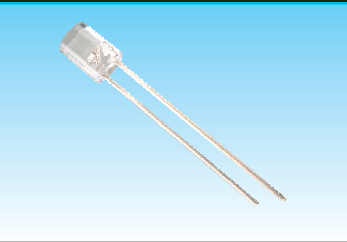
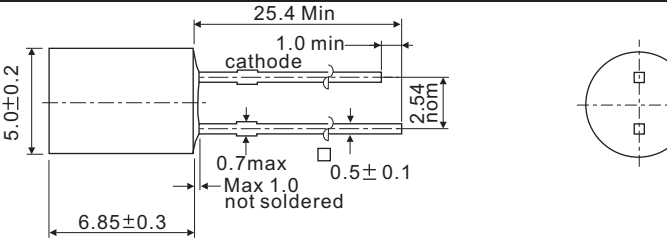
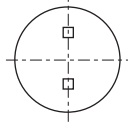
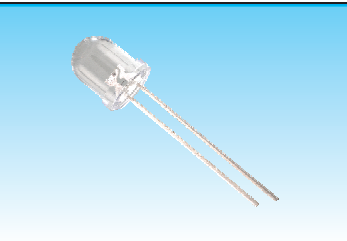
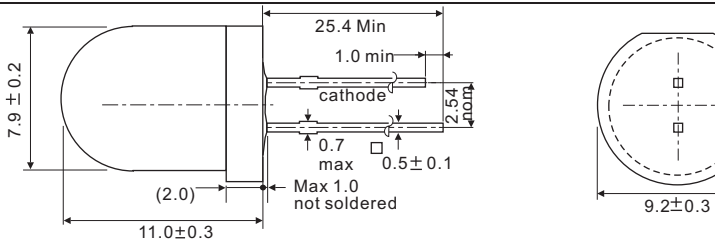
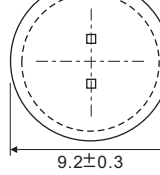
IV1:Labsphere LED-1100 IV2:EXELTRON 2001.

White Extra Bright LEDs



(sensitive to static electricity)

Ta=25°C

Device No	Color		CIE Coordinates Typical		VF Typical (V)	Brightness (mcd)		View Angle 2θ1/2
	Material	Lens	X	Y		IV1	IV2	
								
							UNIT:mm	
HB5H-439AWE	GaInN/GaN	Water clear	0.30	0.31	3.3	1400	2800	65
HB5H-439AWF			0.30	0.31	3.3	1800	3500	
								
							UNIT:mm	
HB5C-439AWE	GaInN/GaN	Water clear	0.30	0.31	3.3	180	360	135
HB5C-439AWF			0.30	0.31	3.3	250	500	
								
							UNIT:mm	
HC5-439AWE	GaInN/GaN	Water clear	0.29	0.31	3.3	1600	3200	125
HC5-439AWF			0.29	0.31	3.3	2800	5500	
								
							UNIT:mm	
HB8a-439AWE	GaInN/GaN	Water clear	0.29	0.28	3.3	4000	8000	30
HB8a-439AWF			0.29	0.28	3.3	4800	9600	

IV1:Labsphere LED-1100 IV2:EXELTRON 2001.



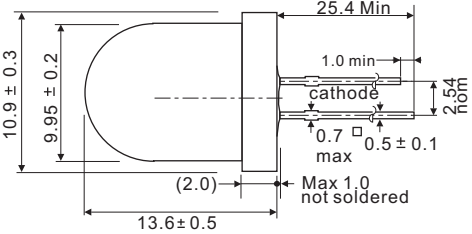




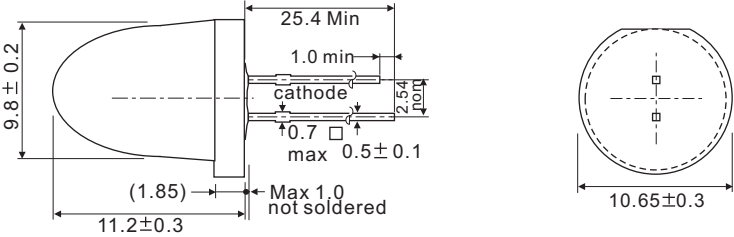
White Extra Bright LEDs

(sensitive to static electricity)

Ta=25°C

Device No	Color		CIE Coordinates Typical		VF Typical (V)	Brightness (mcd)		View Angle 2θ1/2
	Material	Lens	X	Y		IV1	IV2	

 ϕ 10	 ϕ 10								UNIT:mm		
			HB10-439AWE	GaInN/GaN	Water clear	0.30	0.29	3.3	2000	5500	40
			HB10-439AWF			0.30	0.29	3.3	2500	8500	

 ϕ 10	 ϕ 10								UNIT:mm		
			HB10b-439AWE	GaInN/GaN	Water clear	0.30	0.29	3.3	10000	20000	6
			HB10b-439AWF			0.30	0.29	3.3	12000	34000	

IV1:Labsphere LED-1100 IV2:EXELTRON 2001.