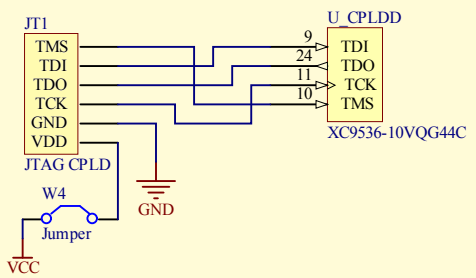
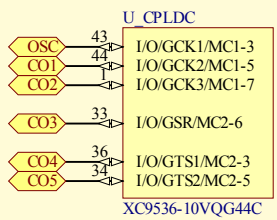
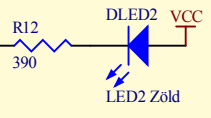
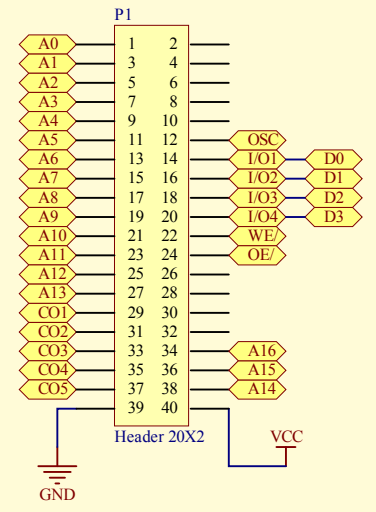
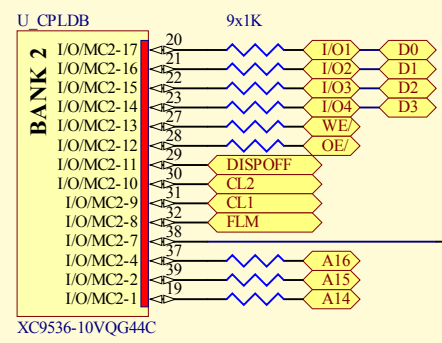
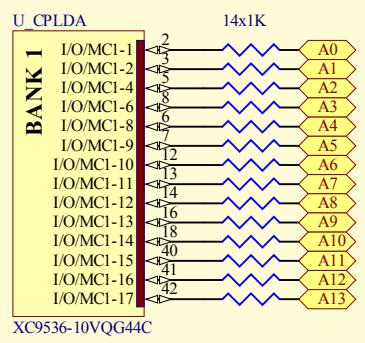
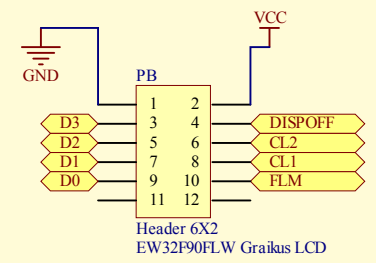
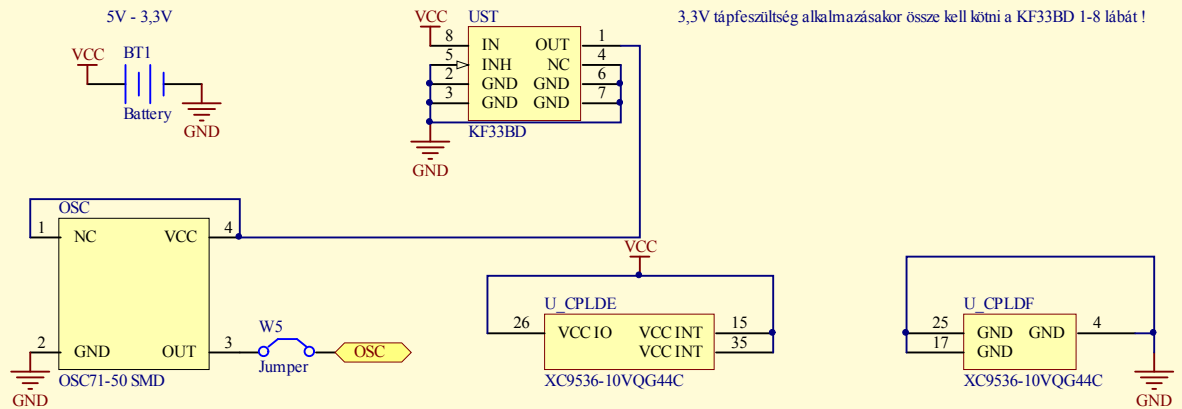


3,3V tápfeszültség alkalmazásokor össze kell kötni a KF33BD 1-8 lábát !



Title		
LCD driver CPLD modulja		
Size	Number	Revision
A4		v1.0
Date:	2010. 06. 22.	Sheet of
File:	E:\munka\Sheet1.SchDoc	Drawn By:
		bbatka

Comment	Description	Designator	Footprint	LibRef	Quantity
Battery	Multicell Battery	BT1	BAT-2	Battery	1
LED2 Zöld	Typical RED, GREEN, YELLOW, AMBER GaAs LED	DLED2	1608[0603]	LED2	1
JTAG CPLD		JT1	DIP6 U664B	JTAG CPLD	1
OSC71-50 SMD	SIWARD OSC71-50 SMD	OSC	OSC1	OSC71-50 SMD	1
Header 20X2	Header, 20-Pin, Dual row	P1	HDR2X20	Header 20X2	1
Header 6X2	Header, 6-Pin, Dual row	PB	HDR2X6	Header 6X2	1
1K	Resistor	R1, R2, R3, R4, R5, R6, R7, R8, R9, R10 R11, R13, R14, R15, R16, R17, R18, R19, R20, R21, R22, R23, R32	3216[1206]	Res3	23
390	Resistor	R12	3216[1206]	Res3	1
KF33BD	Very Low Drop Voltage Regulator with Inhibit	UST	SO8_M	KF33BD	1
XC9536-10VQG44C	XC9500, 5V CPLD with 36 Macrocells, 4 Pin VQFP, Commercial Grade, Pb-Free	U_CPLD	VQ44_M	XC9536-10VQG44C	1
Jumper	Jumper Wire	W4, W5	RAD-0.1	Jumper	2