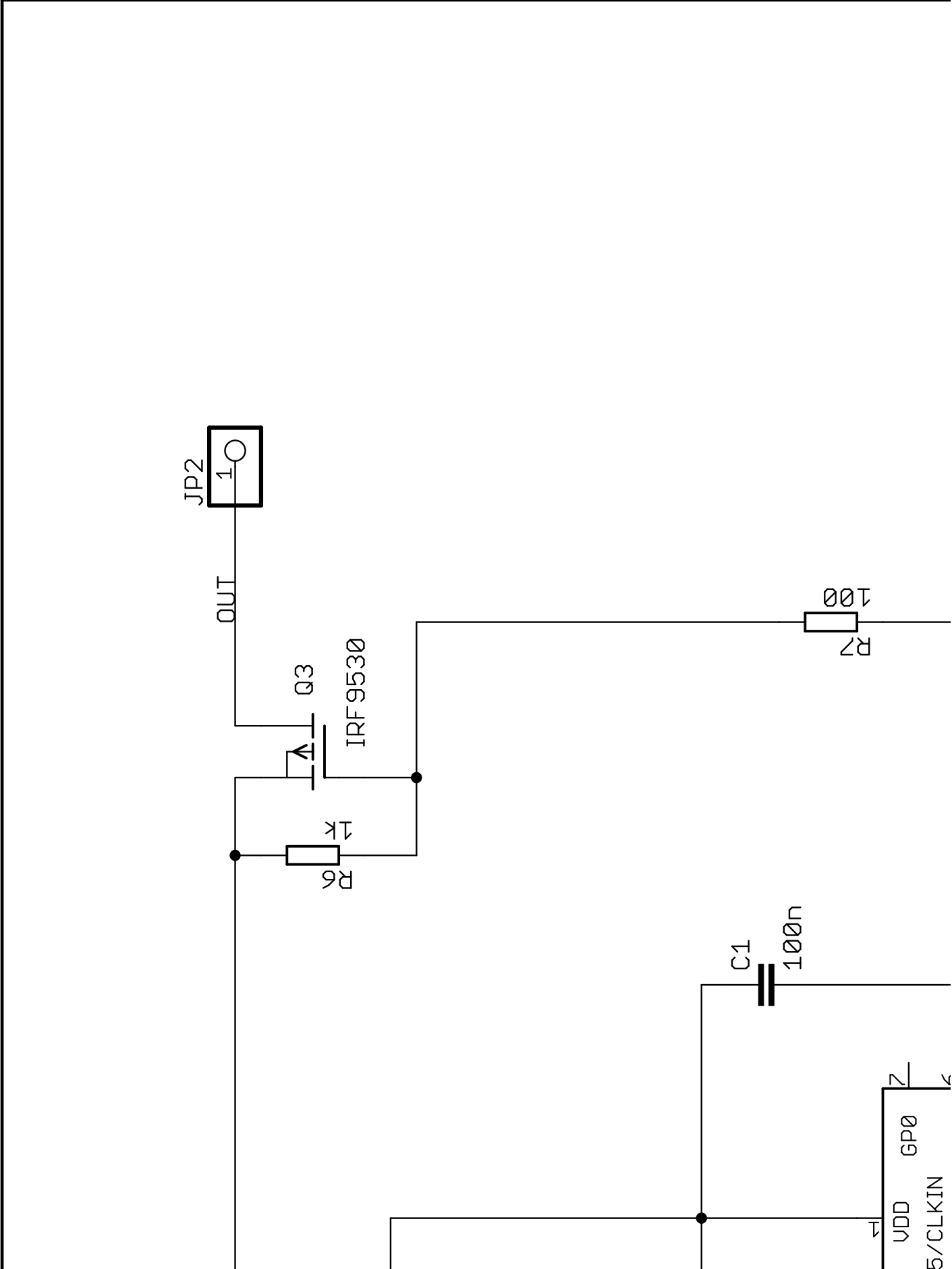
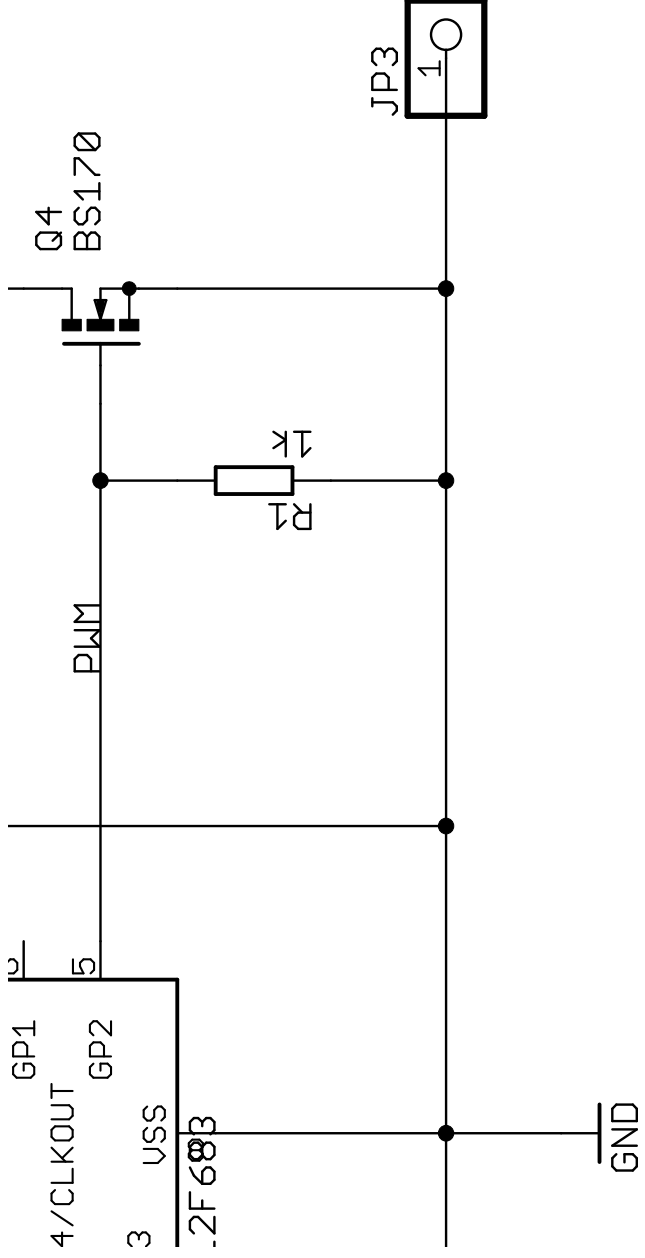


S1





TITLE: lampa

Document Number:

REV:

Date: 02/08/2010 02:37:53 p.m.

Sheet: 1/1