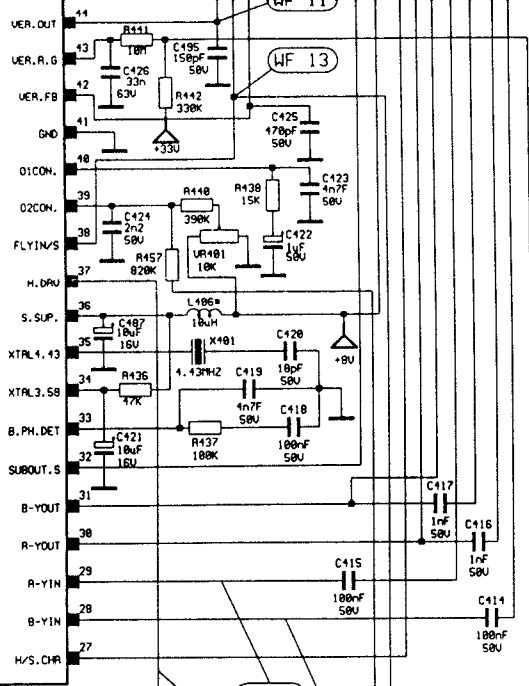
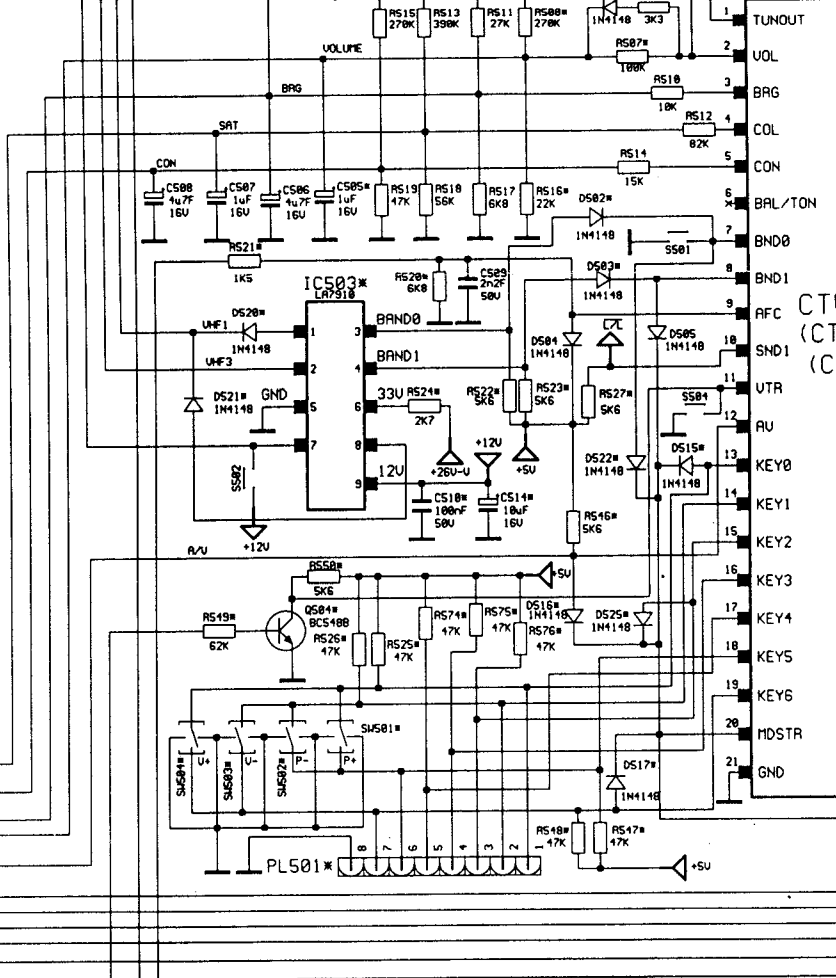


SAFETY COMPONENTS IN ORIGINAL OR AP (WITH PRINTED CIRCUIT) ATTENTION THE MANUFACTURER RE SPECIFICATION WITHO

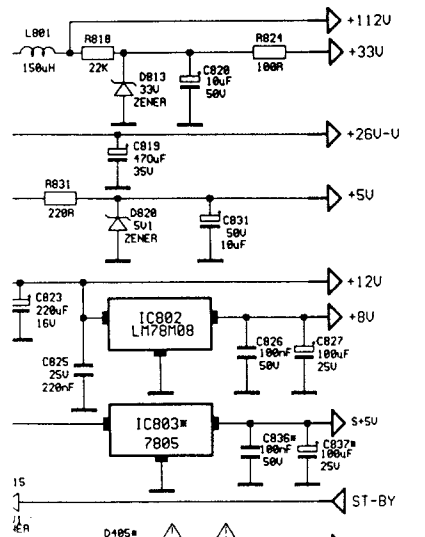
IC401
TDA8362A



WF 9
WF 8
WF 10

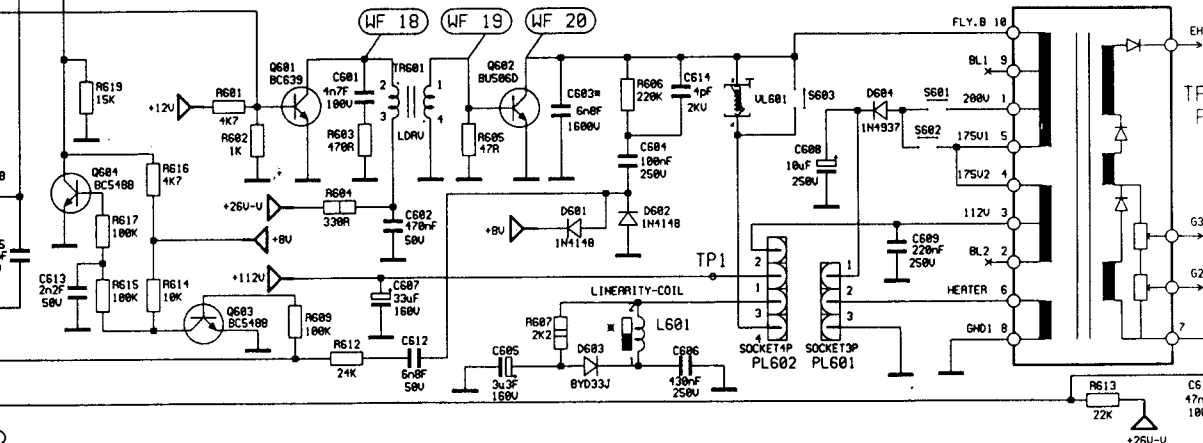
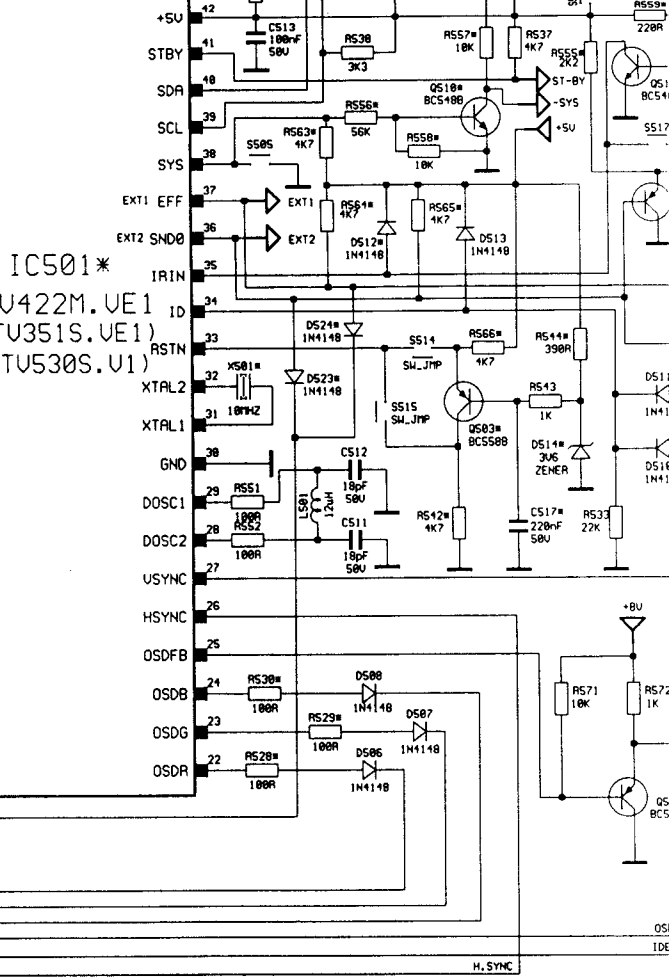


IC501*
CTU422M.VE1
(CTU351S.VE1)
(CTU530S.U1)

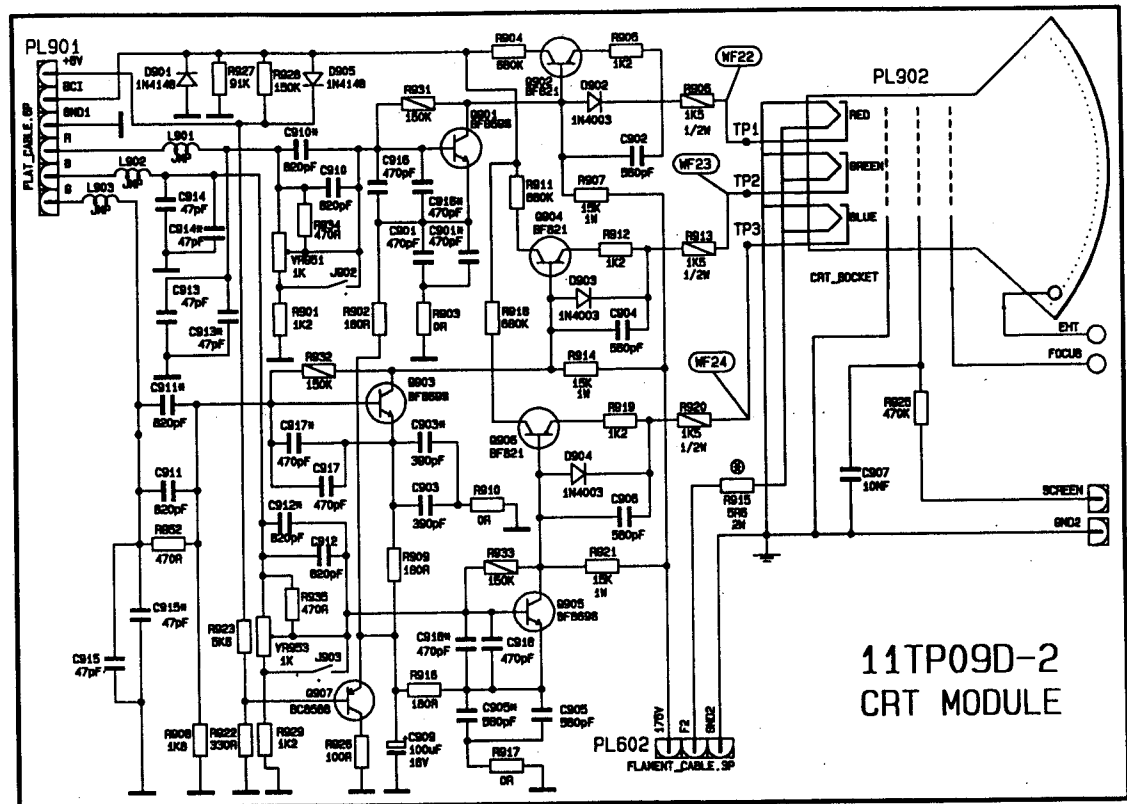
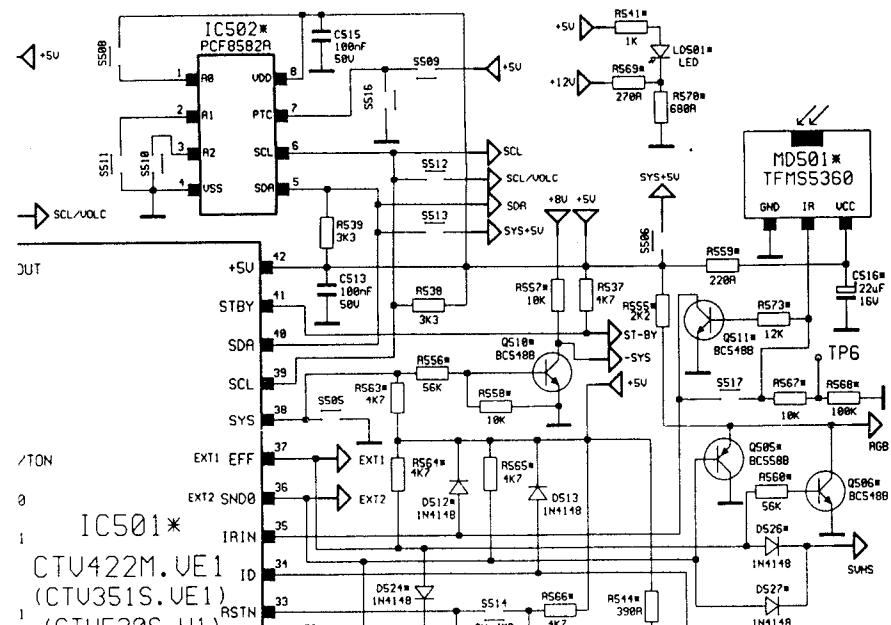
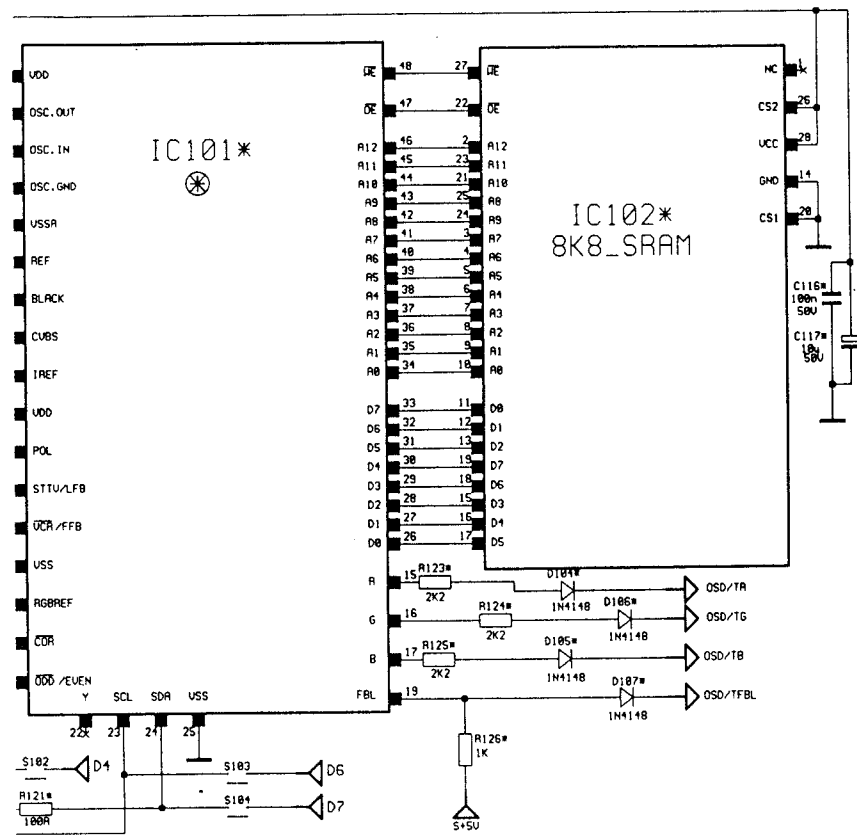


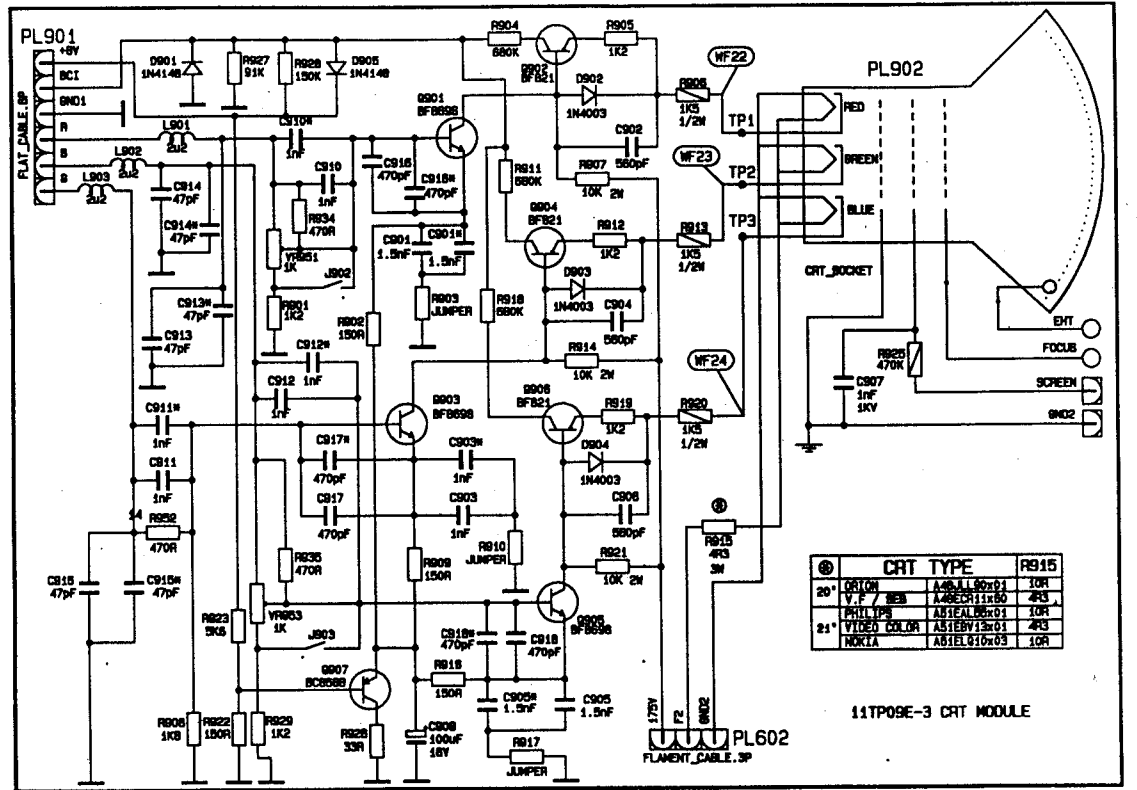
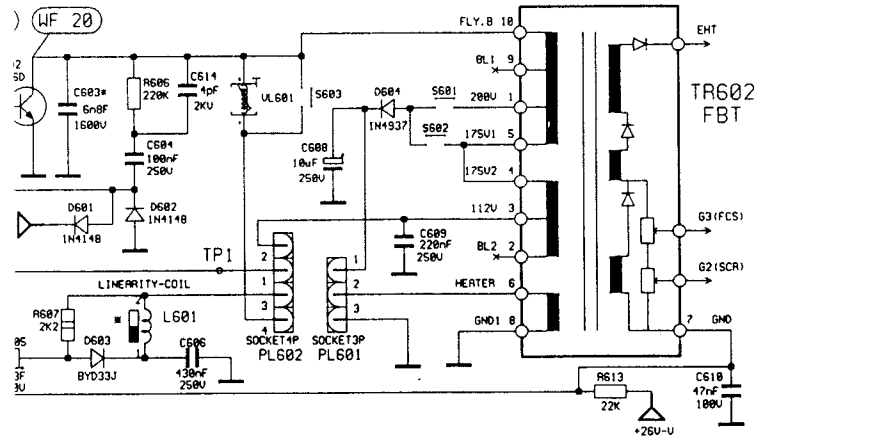
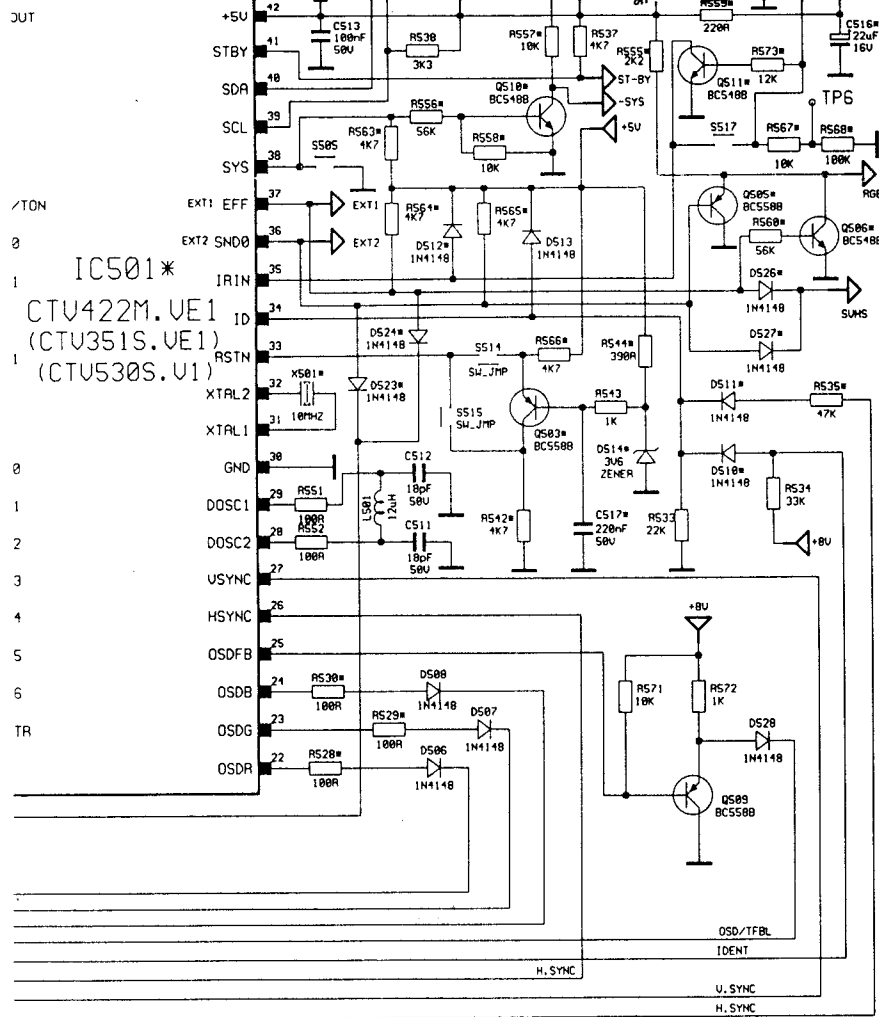
SAFETY COMPONENTS MARKED WITH Δ MUST BE REPLACED WITH ORIGINAL OR APPROVED COMPONENTS ONLY (ALL PRINTED CIRCUIT BOARDS AND REAR COVER ARE SAFETY COMPONENTS)

ATTENTION
THE MANUFACTURER RESERVES THE RIGHT TO CHANGE THE DESIGN AND SPECIFICATION WITHOUT PRIOR NOTICE OR WARNING



11AK10 MAIN BOARD





	CRT TYPE	R915
20"	0510N	A82AL92x01 10R
	V.F. / RES	L42E0111x0 2R3
21"	VIDE0 COLOR	A81EAL92x01 10R
	NOR1A	A81EL910x03 10R

11TPOSE-3 CRT MODULE

K10 MAIN BOARD