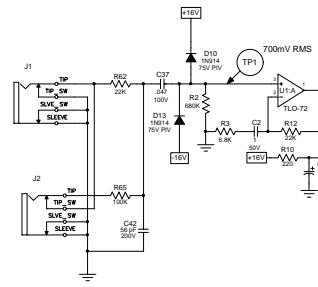
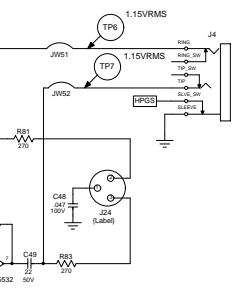
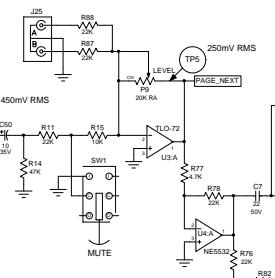
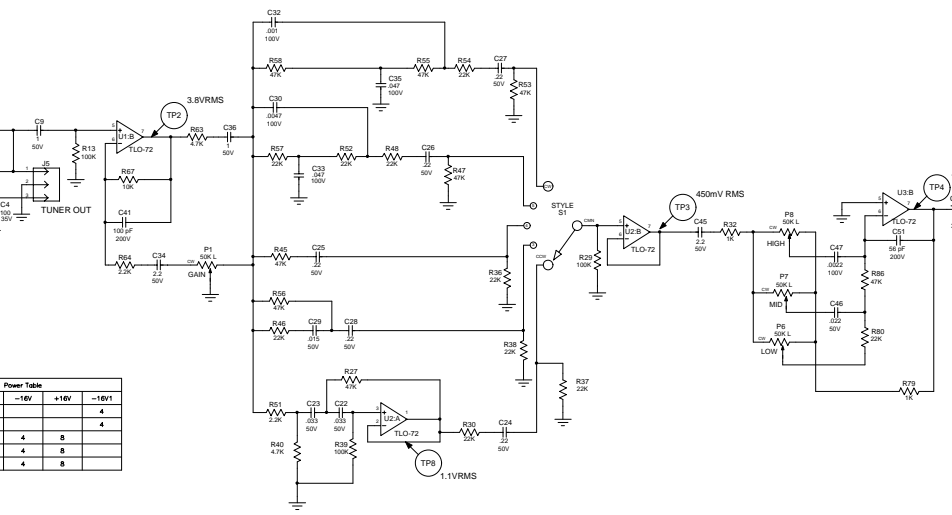


A B C D E F G H

1

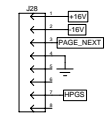
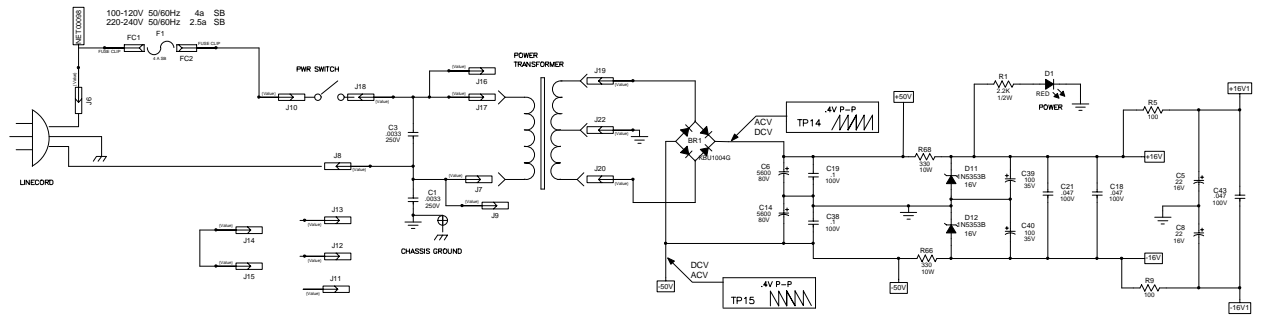


RefDes	+16V1	-16V	+16V	-16V1
U1	8		4	4
U2	8		4	4
U4	4	4	8	4
U5	4	4	8	4



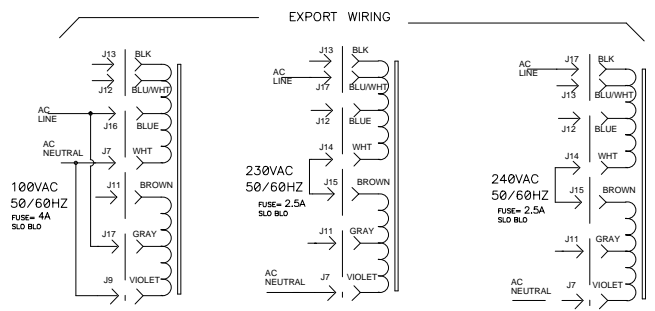
2

3



4

5



ASSY P/N 07-457-01

CAUTION:
THIS SCHEMATIC IS PROVIDED FOR USE BY QUALIFIED PERSONNEL TO AVOID RISK OF ELECTRIC SHOCK. REFER SERVICING TO QUALIFIED SERVICE PERSONNEL. DO NOT PERFORM ANY SERVICING BEYOND THAT EXPLAINED IN THE OPERATING INSTRUCTIONS.

NOTES:
1) CAUTION: SHOCK HAZARD!! THIS UNIT CONTAINS HAZARDOUS VOLTAGE. DISCONNECT POWER AND BE SURE POWER SUPPLY IS DISCHARGED BEFORE TOUCHING INTERNAL PARTS.
2) UNLESS NOTED, RESISTOR VALUES IN OHMS, 1/4W-5% TOL. CAPACITOR VALUES IN MICROFARADS, 50V-10% TOL.
3) VOLTAGES ARE MEASURED WITH 1 MEGOHM OSCILLOSCOPE AND 10 MEGOHM DIGITAL VOLTMETER.

REV	Date	DESCRIPTION	Er(s)/Ecr(s)	Chgd By	Appvd by	Date
0	1-9-03	CONTROL ISSUE				

THE INFORMATION CONTAINED ON THIS DRAWING IS PROPRIETARY TO ST. LOUIS MUSIC, INC.

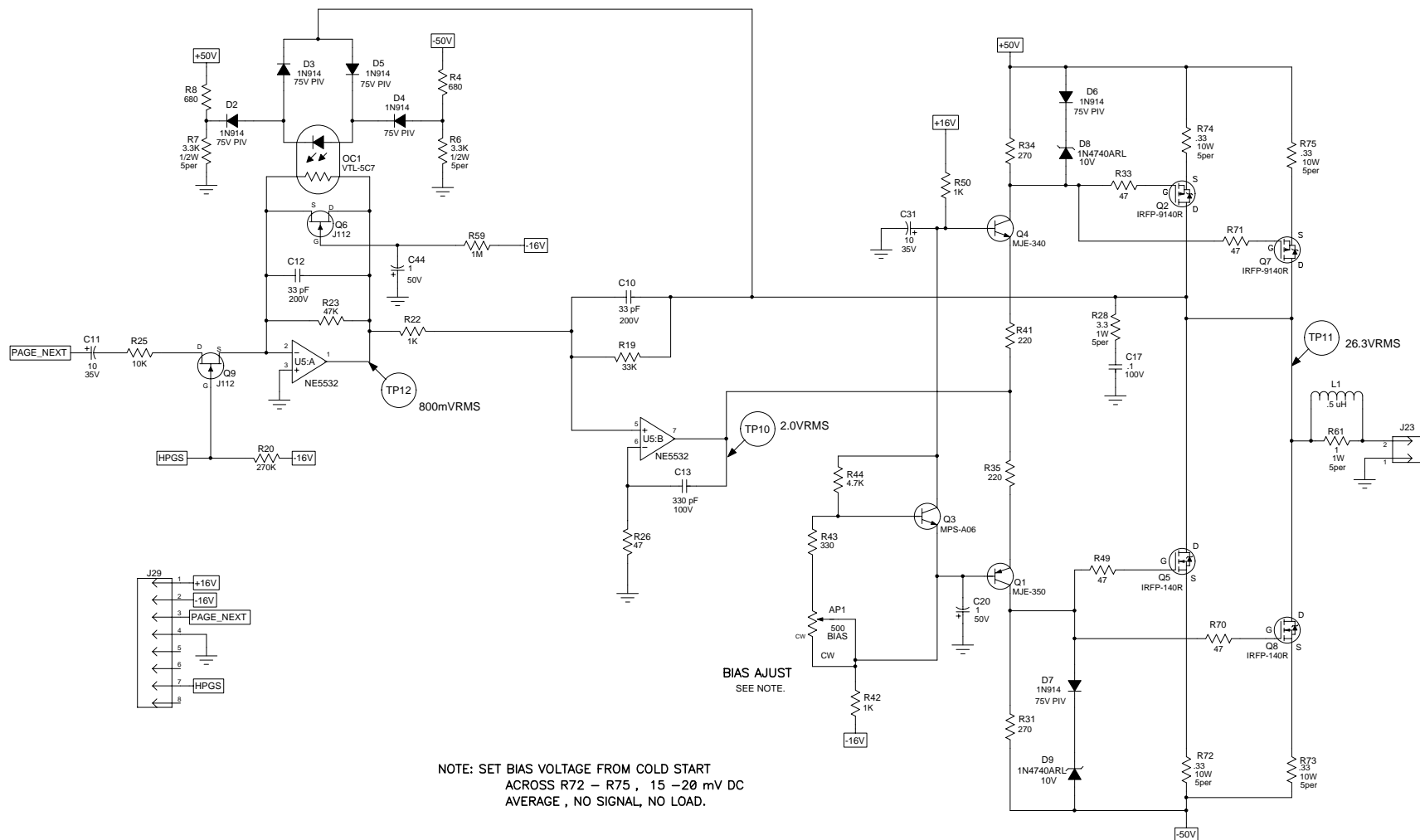
Signatures: _____ Date: _____
 Drawn: RLB 4/18/00 11880 Borman Drive, St. Louis, MO 63146
 Checked: _____ First Used On: BA210/115HP
 Released: _____

Plot Date: Thu Jan 09, 2003 Drawing Size: D Drawing Title: SCHEMATIC - BASS AMP
 Plot Time: 08:13:03 Drawing Type: Schematic
 Tolerance: _____ Class Code: NONE Drawing Number: 07S457-XX
 Sheet 1 of 2

6

6

A B C D E F G H



NOTE: SET BIAS VOLTAGE FROM COLD START
ACROSS R72 - R75, 15 - 20 mV DC
AVERAGE, NO SIGNAL, NO LOAD.

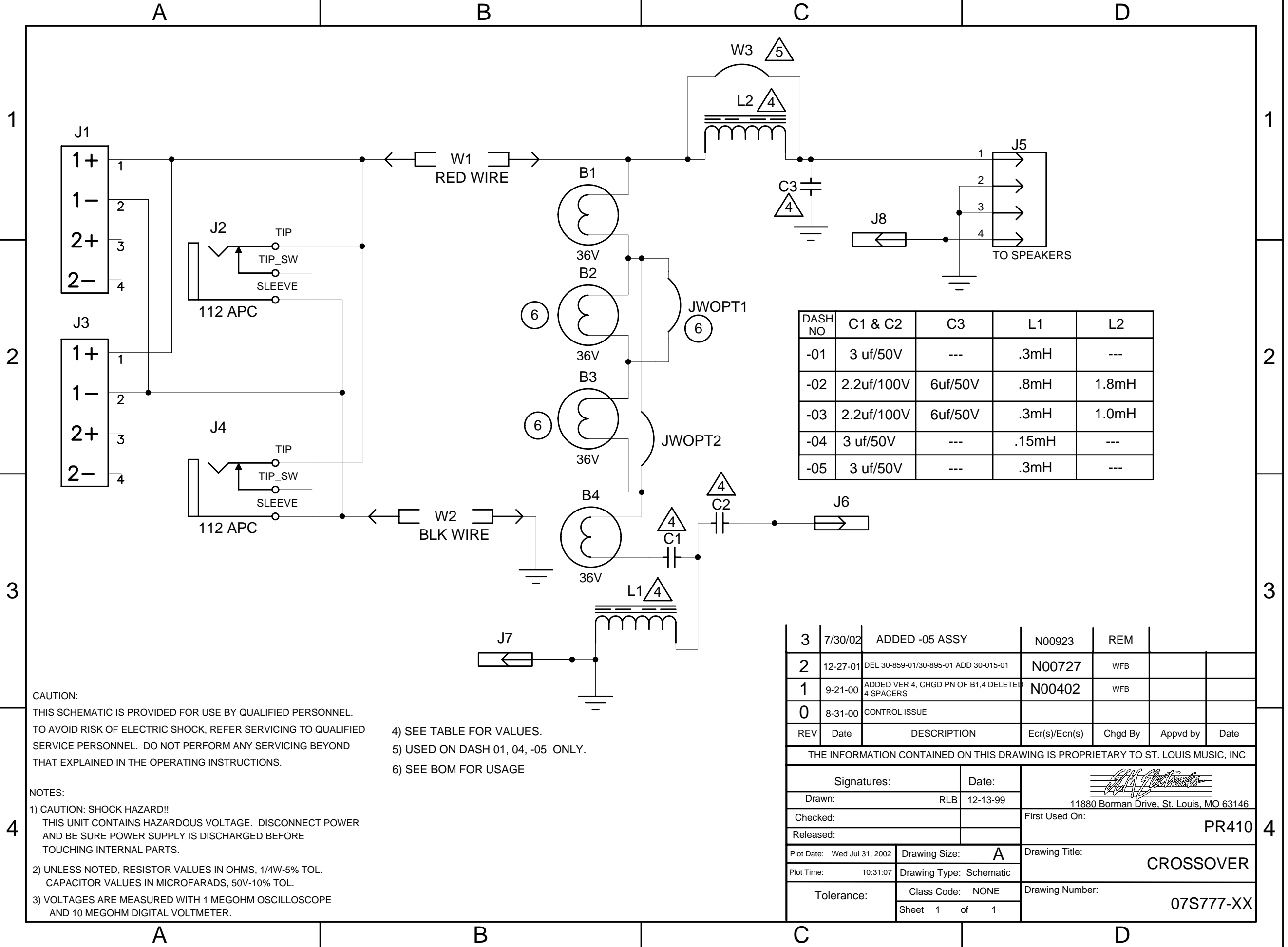
BIAS AJUST
SEE NOTE.

TEST POINT CONDITIONS NOTE :
1 KHz INPUT SINEWAVE 170mV @ 0 dB
INPUT JACK. 120VAC LINE, VOLUME & LEVEL @ *10*
TONES @ *5*, DC VOLTAGES WITH 0 SIGNAL APPLIED.

CAUTION:
THIS SCHEMATIC IS PROVIDED FOR USE BY QUALIFIED PERSONNEL.
TO AVOID RISK OF ELECTRIC SHOCK, REFER SERVICING TO QUALIFIED
SERVICE PERSONNEL. DO NOT PERFORM ANY SERVICING BEYOND
THAT EXPLAINED IN THE OPERATING INSTRUCTIONS.

- NOTES:
1) CAUTION: SHOCK HAZARD!!
THIS UNIT CONTAINS HAZARDOUS VOLTAGE. DISCONNECT POWER
AND BE SURE POWER SUPPLY IS DISCHARGED BEFORE
TOUCHING INTERNAL PARTS.
2) UNLESS NOTED, RESISTOR VALUES IN OHMS, 1/4W-5% TOL.
CAPACITOR VALUES IN MICROFARADS, 50V-10% TOL.
3) VOLTAGES ARE MEASURED WITH 1 MEGOHM OSCILLOSCOPE
AND 10 MEGOHM DIGITAL VOLTMETER.

0	1-9-03	CONTROL ISSUE				
REV	Date	DESCRIPTION	Ecr(s)/Eon(s)	Chgd By	Appvd by	Date
THE INFORMATION CONTAINED ON THIS DRAWING IS PROPRIETARY TO ST. LOUIS MUSIC, INC.						
Signatures:			Date:		 11880 Borman Drive, St. Louis, MO 63146	
Drawn: RLB			4/18/00			
Checked:			Released:		First Used On:	
Released:					BA210/115HP	
Plot Date: Thu Jan 09, 2003		Drawing Size: C		Drawing Title:		
Plot Time: 08:13:04		Drawing Type: Schematic		SCHEMATIC -BASS AMP		
Tolerance:		Class Code: NONE		Drawing Number:		
		Sheet 2 of 2		07S457-XX		



CAUTION:
 THIS SCHEMATIC IS PROVIDED FOR USE BY QUALIFIED PERSONNEL.
 TO AVOID RISK OF ELECTRIC SHOCK, REFER SERVICING TO QUALIFIED
 SERVICE PERSONNEL. DO NOT PERFORM ANY SERVICING BEYOND
 THAT EXPLAINED IN THE OPERATING INSTRUCTIONS.

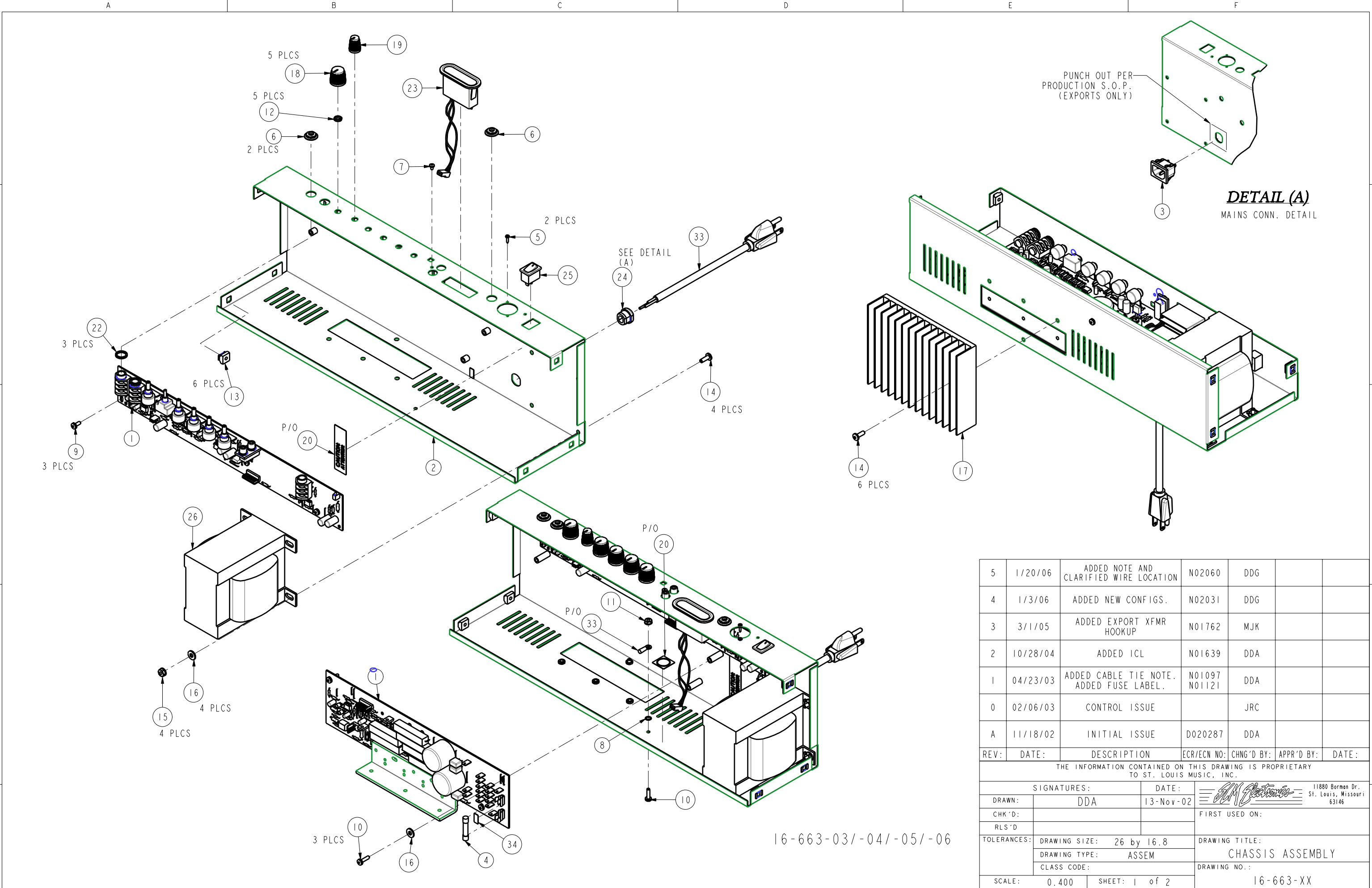
NOTES:
 1) CAUTION: SHOCK HAZARD!!
 THIS UNIT CONTAINS HAZARDOUS VOLTAGE. DISCONNECT POWER
 AND BE SURE POWER SUPPLY IS DISCHARGED BEFORE
 TOUCHING INTERNAL PARTS.
 2) UNLESS NOTED, RESISTOR VALUES IN OHMS, 1/4W-5% TOL.
 CAPACITOR VALUES IN MICROFARADS, 50V-10% TOL.
 3) VOLTAGES ARE MEASURED WITH 1 MEGOHM OSCILLOSCOPE
 AND 10 MEGOHM DIGITAL VOLTMETER.

4) SEE TABLE FOR VALUES.
 5) USED ON DASH 01, 04, -05 ONLY.
 6) SEE BOM FOR USAGE

3	7/30/02	ADDED -05 ASSY	N00923	REM		
2	12-27-01	DEL 30-859-01/30-895-01 ADD 30-015-01	N00727	WFB		
1	9-21-00	ADDED VER 4, CHGD PN OF B1,4 DELETED 4 SPACERS	N00402	WFB		
0	8-31-00	CONTROL ISSUE				
REV	Date	DESCRIPTION	Ecr(s)/Ecn(s)	Chgd By	Appvd by	Date

THE INFORMATION CONTAINED ON THIS DRAWING IS PROPRIETARY TO ST. LOUIS MUSIC, INC

Signatures:		Date:	 11880 Borman Drive, St. Louis, MO 63146
Drawn:	RLB	12-13-99	
Checked:		Released:	First Used On: PR410
Plot Date: Wed Jul 31, 2002	Drawing Size: A	Drawing Title: CROSSOVER	
Plot Time: 10:31:07	Drawing Type: Schematic	Drawing Number: 07S777-XX	
Tolerance:	Class Code: NONE	Sheet 1 of 1	

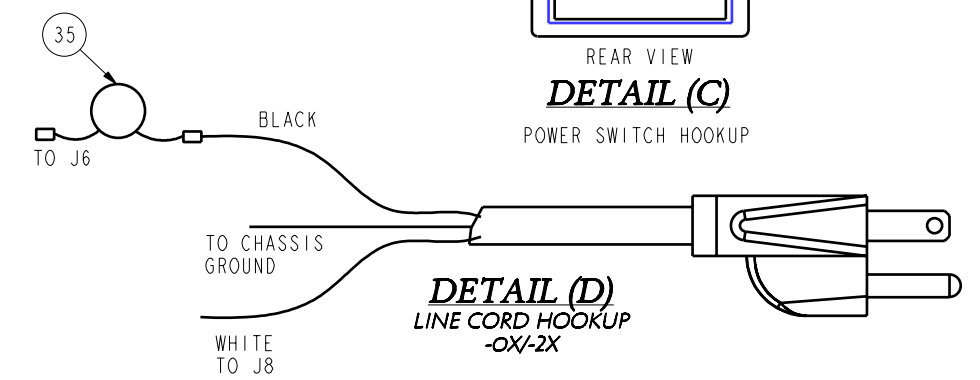
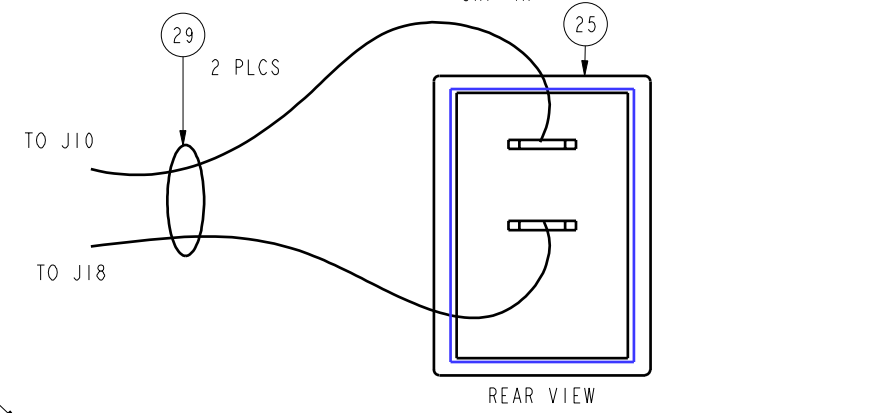
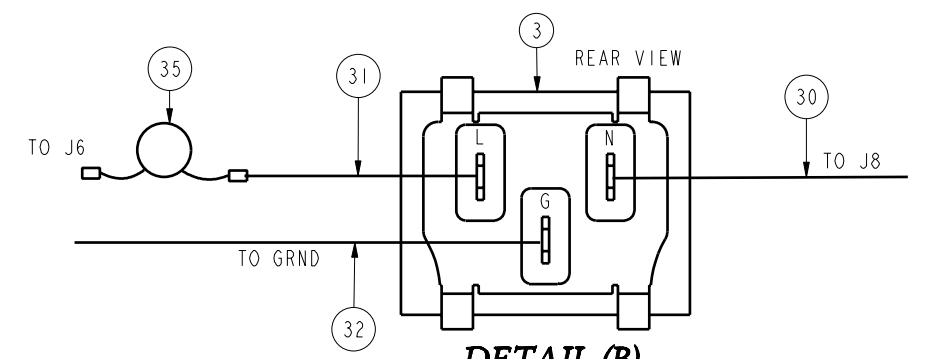
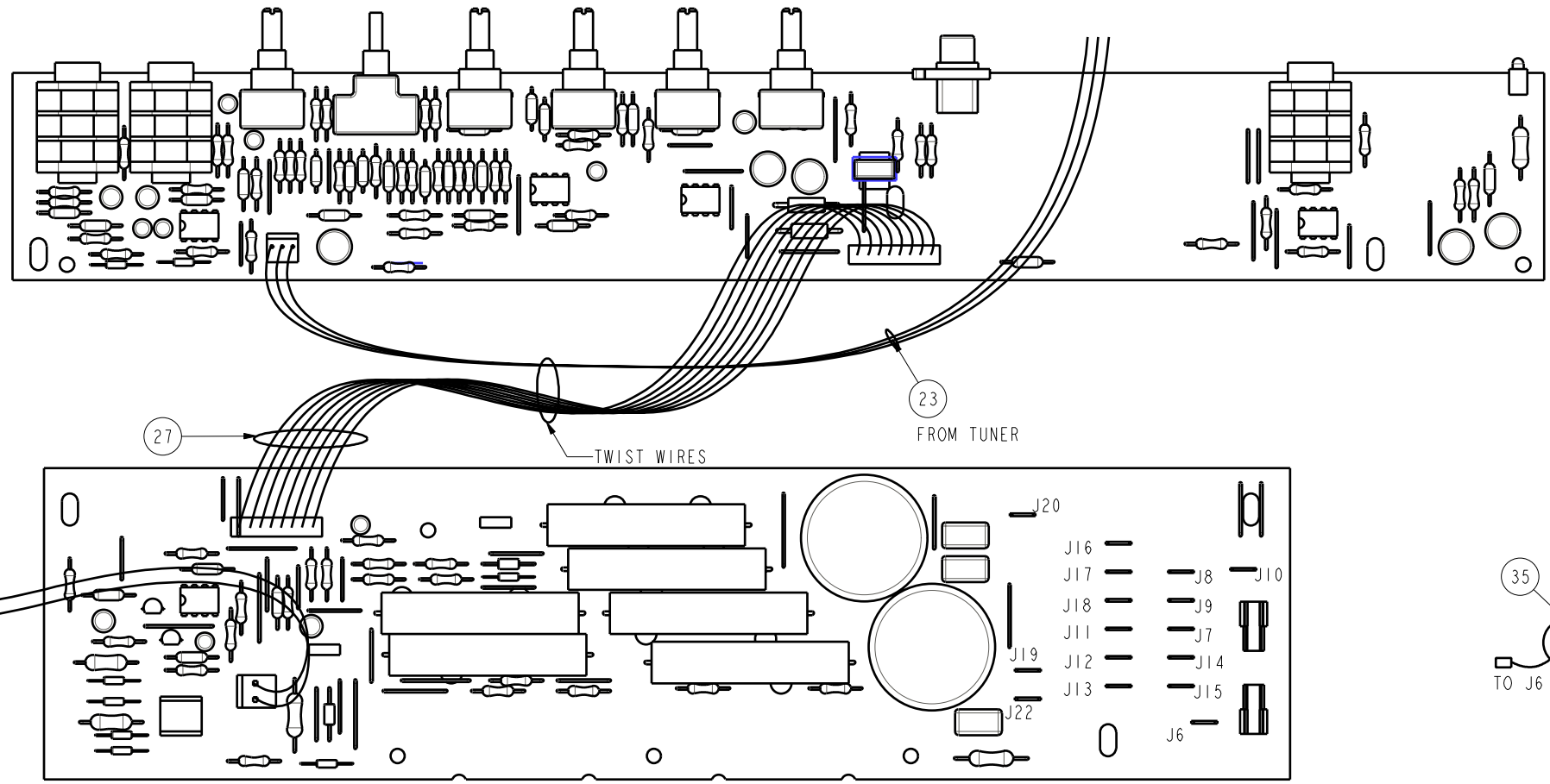


16-663-03/-04/-05/-06

5	1/20/06	ADDED NOTE AND CLARIFIED WIRE LOCATION	N02060	DDG		
4	1/3/06	ADDED NEW CONFIGS.	N02031	DDG		
3	3/1/05	ADDED EXPORT XFMR HOOKUP	N01762	MJK		
2	10/28/04	ADDED ICL	N01639	DDA		
1	04/23/03	ADDED CABLE TIE NOTE, ADDED FUSE LABEL.	N01097 N01121	DDA		
0	02/06/03	CONTROL ISSUE		JRC		
A	11/18/02	INITIAL ISSUE	D020287	DDA		
REV:	DATE:	DESCRIPTION	ECR/ECN NO:	CHNG'D BY:	APPR'D BY:	DATE:

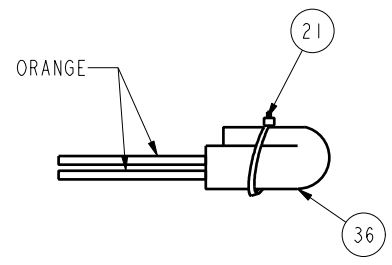
THE INFORMATION CONTAINED ON THIS DRAWING IS PROPRIETARY TO ST. LOUIS MUSIC, INC.

SIGNATURES:		DATE:	 11880 Borman Dr. St. Louis, Missouri 63146
DRAWN:	DDA	13-Nov-02	
CHK'D:			FIRST USED ON:
RLS'D:			
TOLERANCES:	DRAWING SIZE: 26 by 16.8	DRAWING TITLE:	
	DRAWING TYPE: ASSEM	CHASSIS ASSEMBLY	
	CLASS CODE:	DRAWING NO.:	
SCALE: 0.400	SHEET: 1 of 2	16-663-XX	



WIRE HOOKUP TABLE	WIRE COLOR	TAB CONNECTION				
		-0X	-2X	-3X	-4X	
POWER X-FORMER	PRIMARY	BROWN	J16	J11	J15	J15
		GRAY	J11	J16	J11	J11
		BLUE	J12	J17	J12	J12
		BLUE/WHITE	J13	J12	J17	J13
		VIOLET	J7	J7	J7	J7
		WHITE	J9	J9	J14	J14
		BLACK	J17	J13	J13	J17
SECONDARY	RED	J20				
	GREEN	J22				
	RED	J19				
	ORANGE	NO CONNECTION (SEE NOTE 4)				
	ORANGE	NO CONNECTION (SEE NOTE 4)				

- NOTES:
- CABLE TIE ORANGE WIRES WITH OTHER SECONDARY WIRING USING (21) IPC.
 - CABLE PRIMARY WIRING SEPERATELY USING (21) IPC.
 - CABLE TIE EXCESS TUNER LEADS USING (21) IPC.
 - BOOT AND TIE ORANGE WIRES USING ITEMS (36) AND (21) IPC.



REV:	DATE:	DESCRIPTION	ECR/ECN NO:	CHNG'D BY:	APPR'D BY:	DATE:
5	1/20/06	ADDED NOTE AND CLARIFIED WIRE LOCATION	N02060	DDG		
4	1/3/06	ADDED NEW CONFIGS.	N02031	DDG		
3	3/1/05	ADDED EXPORT XFMR HOOKUP	N01762	MJK		
2	10/28/04	ADDED ICL	N01639	DDA		
1	04/23/03	ADDED CABLE TIE NOTE. ADDED FUSE LABEL.	N01097 N01121	DDA		
0	02/06/03	CONTROL ISSUE		JRC		
A	11/18/02	INITIAL ISSUE	D020287	DDA		

THE INFORMATION CONTAINED ON THIS DRAWING IS PROPRIETARY TO ST. LOUIS MUSIC, INC.

SIGNATURES:		DATE:	 11880 Borman Dr. St. Louis, Missouri 63146
DRAWN:	DDA	19-Nov-02	
CHK'D:			FIRST USED ON:
RLS'D:			
TOLERANCES:	DRAWING SIZE: 26 by 16.8	DRAWING TITLE: CHASSIS ASSEMBLY	
	DRAWING TYPE: ASSEM	DRAWING NO.:	
	CLASS CODE:		
SCALE:	0.400	SHEET: 2 of 2	16-663-XX