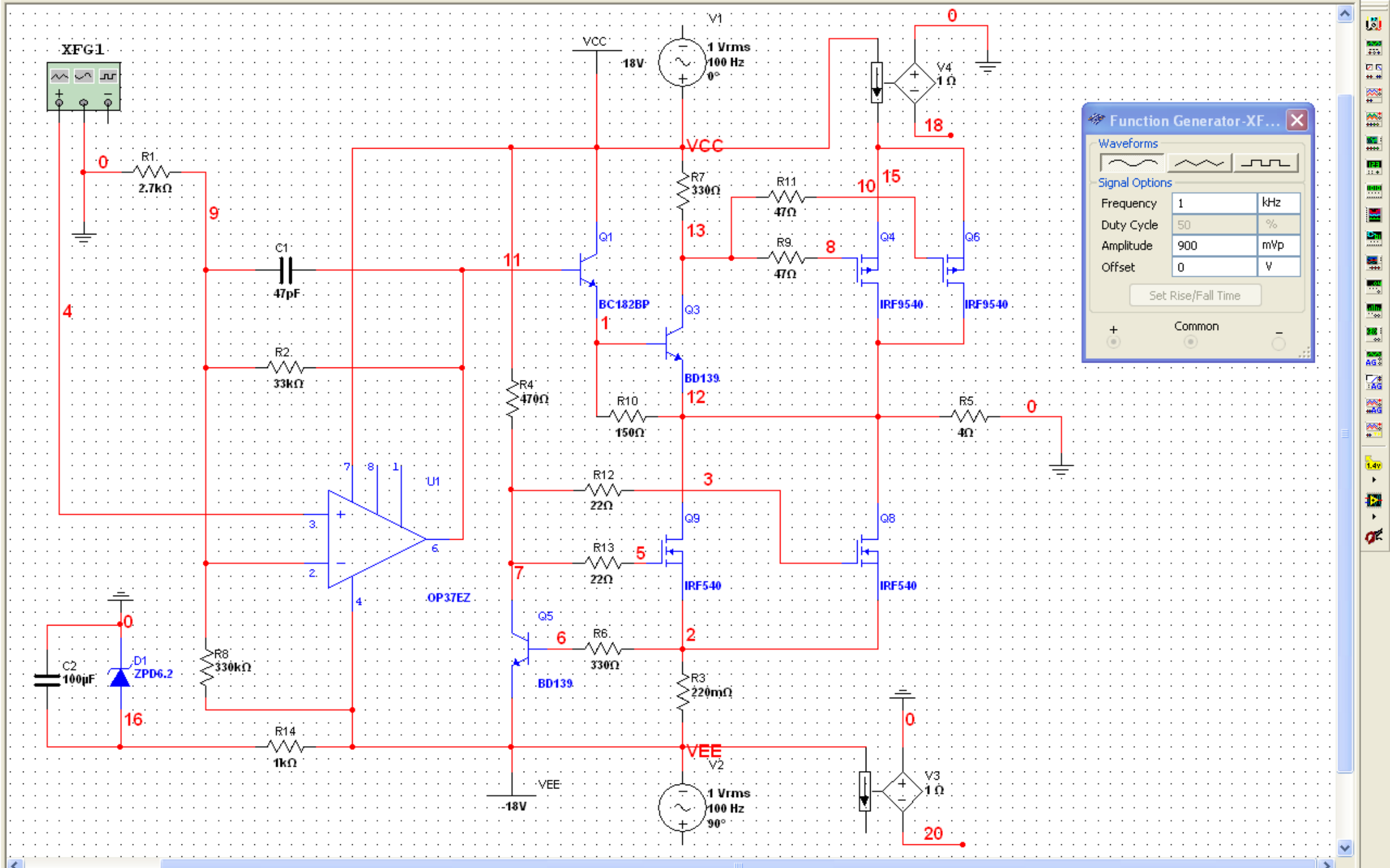


File Edit View Place MCU Simulate Transfer Tools Reports Options Window Help

--- In Use List ---

Tran: 3.000 ms



Function Generator - XF...

Waveforms

Signal Options

| | | |
|------------|-----|-----|
| Frequency | 1 | kHz |
| Duty Cycle | 50 | % |
| Amplitude | 900 | mVp |
| Offset | 0 | V |

Set Rise/Fall Time

Common