



For more Hi-Fi manuals and set-up information
please visit www.hifiengine.com

SERVICE MANUAL



FISHER

INTEGRATED STEREO AMPLIFIER

CA-869

(EUROPE)



132 299 42

SPECIFICATIONS

POWER AMPLIFIER SECTION

Minimum RMS sine wave power per channel
within stated bandwidth at no more than stated
distortion and with 8-ohm load 100 Watts

Power Bandwidth 20 Hz – 20 kHz

Total Harmonic Distortion 0.09 %

I.M. Distortion 0.09 %

Speaker Damping > 20

PREAMPLIFIER SECTION

Frequency Response

 Phono (RIAA) ±1 dB

 Aux (20 Hz – 20 kHz) ±1 dB

Input Sensitivity and Impedance

 Phono 2.5 mV/50 kΩ

 Tape Monitor 150 mV/50 kΩ

 Tuner/Video/CD 150 mV/50 kΩ

Phono Max. Input Capability 150 mV

Graphic Equalizer

 63Hz ±10 dB

 250Hz ±10 dB

 1KHz ±10 dB

 4KHz ±10 dB

 16KHz ±10 dB

Loudness Contour (100 Hz/10 kHz) +8 dB/+4 dB

Hum & Noise (IHF Short Circuit, A Network)

 Phono 65 dB

 Tape Monitor 85 dB

 Tuner/Video/CD 85 dB

GENERAL

Power Requirements (50 Hz) 110/220 VAC

Power Consumption 510 Watts

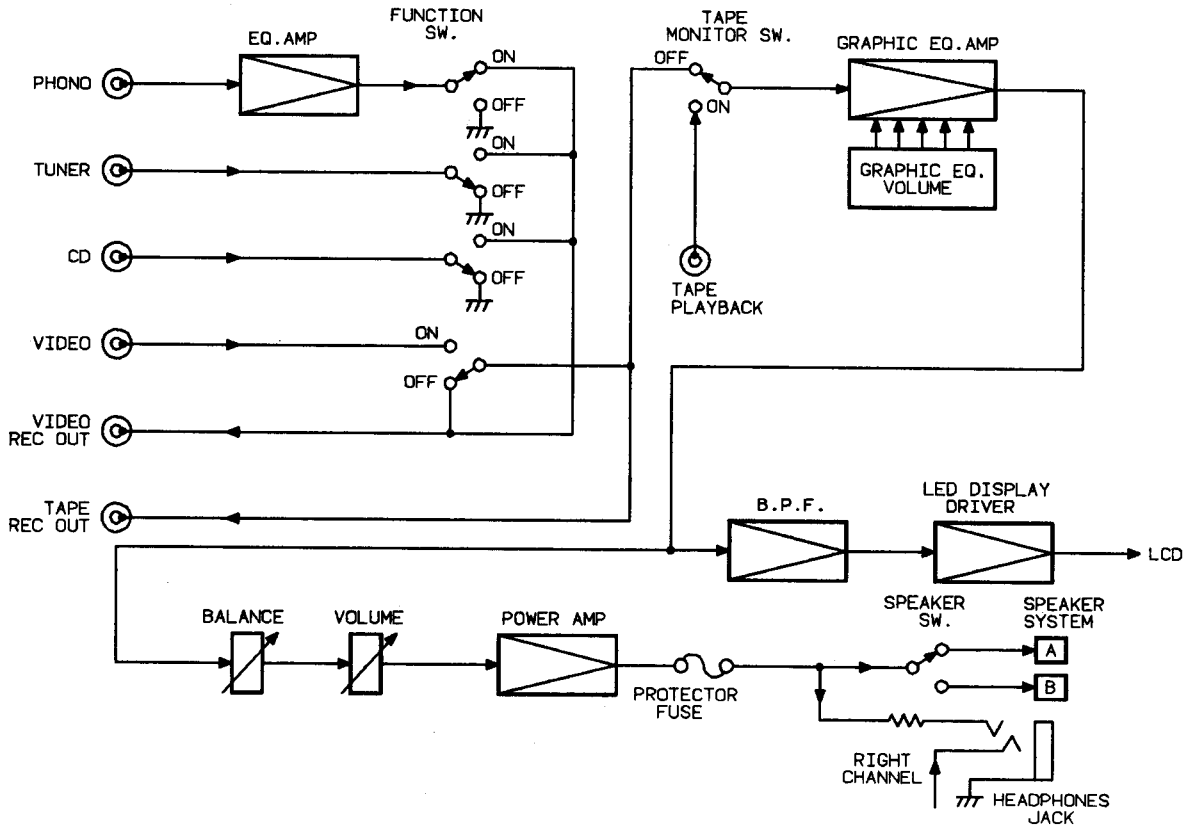
Dimensions (W x H x D) 440 x 108 x 315 mm

Weight (approx.) 8.0 kg

– Specifications and design are subject to change without notice. –

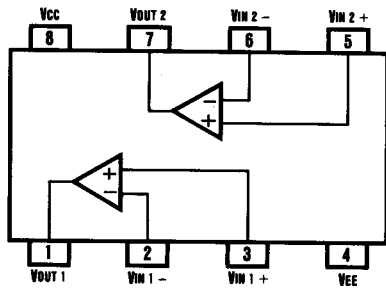
REFERENCE No. WM-19670

FUNCTIONAL BLOCK DIAGRAM

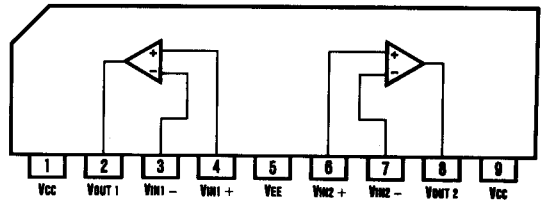


INTEGRATED CIRCUIT BLOCK DIAGRAM

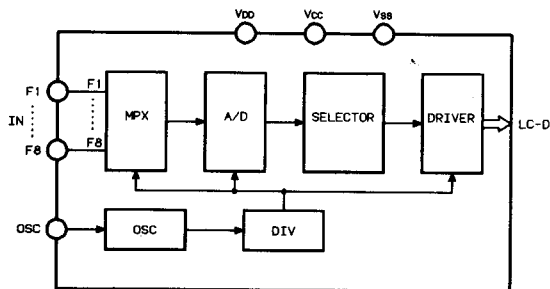
PHONO EQ. AMP IC LA 6458 DS



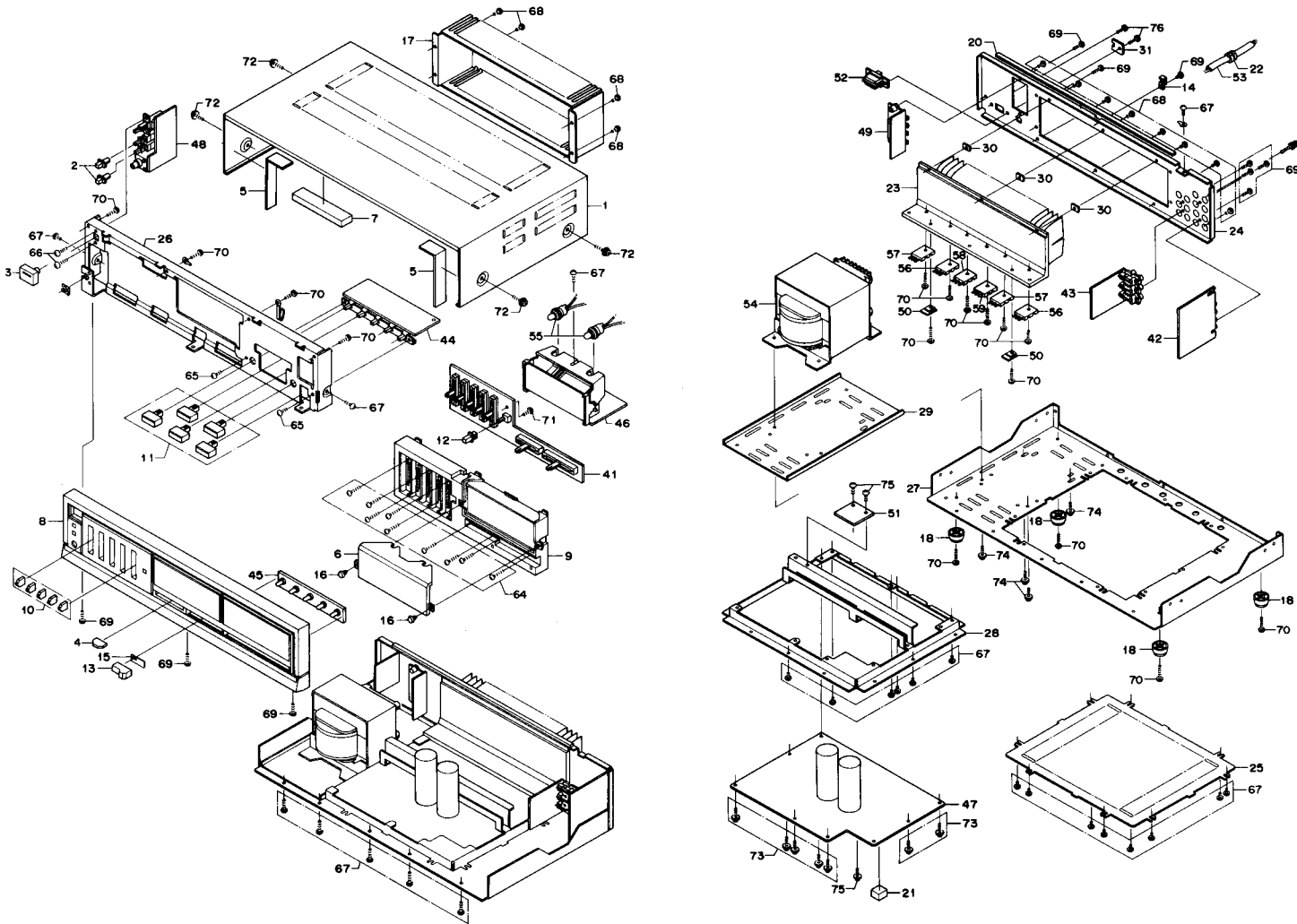
GRAPHIC EQ. AMP/B.P.F. IC LA 6458 SS



LCD DISPLAY DRIVER IC LC 7561



CABINET & CHASSIS EXPLODED VIEW



POWER AMPLIFIER ADJUSTMENT

BEFORE ADJUSTMENT

Unplug the AC power cord and set the front panel controls as follows:

- Power switch to OFF position.
- Set the SPEAKERS switch to the OFF position.
- Set the volume level to minimum level by Pressing the VOLUME DOWN button.
- IDLING CURRENT ADJUSTMENT VR501/VR502 (on the Main Amplifier P.C.Board) setting to mechanical center position.
- Connect the AC power cord and Power Switch to the ON position.

IDLING CURRENT ADJUSTMENT

This adjustment is very sensitive to changes in ambient temperature. Allow set to operate for 2 minutes before attempting this alignment.

LEFT AMPLIFIER

- 1) Connect the DC Voltmeter between Pins 19 and 21 on the Main Amplifier P.C.Board.
- 2) Adjust the VR501 for an indication of 9mV (7mV ~ 15mV) on the DC Voltmeter.

RIGHT AMPLIFIER

- 1) Connect the DC Voltmeter between Pins 20 and 22 on the Main Amplifier P.C.Board.
- 2) Adjust the VR502 for an indication of 9mV (7mV ~ 15mV) on the DC Voltmeter.

CABINET & CHASSIS PARTS LIST

PRODUCT SAFETY NOTICE

Each precaution in this manual should be followed during servicing. Components identified with the IEC symbol Δ in the parts list and the schematic diagram designate components in which safety can be of special significance. When replacing a component identified with Δ , use only the replacement parts designated, or parts with the same ratings of resistance, wattage or voltage that are designated in the parts list in this manual. Leakage-current or resistance measurements must be made to determine that exposed parts are acceptably insulated from the supply circuit before returning the product to the customer.

Ref. No.	Part No.	Description	Q'ty	Ref. No.	Part No.	Description	Q'ty
PACKAGE				25	141-2-1259-11200	Bottom Cover	1
	3-9415-10300	Bag Polyethylene	1	26	141-2-2149-31200	Panel Front	1
	131-6-3009-36090	Pad	1	27	141-2-3119-31600	Chassis	1
	131-6-3009-36420	Pad	1	28	141-2-3129-06600	Sub Chassis	1
	131-6-3069-16350	Patching Sheet	1	29	141-2-3159-05800	Metal Reinforce	1
	131-6-4559-11200	Serial No. Sheet	2	30	141-2-4359-41200	Plate Sever	3
	141-6-1189-28501	Box Corrugate-exp	1	31	131-2-7104-00500	Plate Pad Switch	1
	141-6-1469-11700	Pad (Front)	1				
	141-6-1469-11800	Pad (Rear)	1	41	141-0-1939-20570	Graphic EQ. P.C.B. Assy	1
	141-6-2519-22290	Sheet Polyethylene	1	42	141-0-1939-20581	Phono EQ. P.C.B. Assy	1
	131-6-3009-36700	Pad	2	43	141-0-1939-20591	Pin Jack P.C.B. Assy	1
				44	141-0-1939-20600	Function P.C.B. Assy	1
				45	141-0-1939-20610	LED Ind. P.C.B. Assy	1
				46	141-0-1939-20620	Spectrum Analyzer P.C.B. Assy	1
				47	141-0-1939-20631	Main Amp. P.C.B. Assy	1
				48	141-0-1939-20641	Power SW. P.C.B. Assy	1
				49	141-0-1939-20651	Speaker Terminal P.C.B. Assy	1
				50	141-0-1939-20680	Bias P.C.B. Assy	2
				51	141-0-1939-23290	Lamp P.C.B. Assy	1
				52	Δ 4-2312-01020	SW Slide (AC Selector) [S801]	1
				53	Δ 4-2432-00400	Power Cord	1
				54	Δ 4-2512-25021	Power Trans	1
				55	4-6129-70724	Lamp	2
				56	405 033 3309	TR 2SC3280-R [Q515, Q516]	1
				or	405 033 7208	TR 2SD1717-Q [Q515, Q516]	1
				57	405 031 2106	TR 2SA1301-R [Q517, Q518]	1
				or	405 031 8801	TR 2SB1162-Q [Q517, Q518]	1
				58	405 031 2205	TR 2SA1302-R [Q545]	1
				59	405 017 7903	TR 2SC3281-R [Q546]	1
				64	411 039 1102	SCR PAN 2X4	9
				65	411 002 8503	SCR PAN 3X6	2
				66	411 003 8908	SCR PAN+SW 3X6	2
				67	411 020 7700	SCR S-TPG BRZ 3X6	23
				68	411 099 9704	SCR S-TPG BRZ 3X6	12
				69	411 099 9803	SCR S-TPG BRZ 3X8	10
				70	411 020 5904	SCR S-TPG BRZ 3X10	16
				71	411 020 5706	SCR S-TPG BRZ 2.6X8	1
				72	141-2-4219-38400	+BTS-B 4X8 Sems BLK	4
				73	131-2-4201-25201	+BRTS-B Sems 3X8 Z	7
				74	141-2-4219-43300	+BTS-C M4X10 Sems	4
				75	411 020 8004	SCR S-TPG BRZ 3X8	3
				76	411 002 9104	SCR PAN 3X8	2
ACCESSORIES							
	131-6-2719-10401	Bag Fan	1				
	142-6-4119-33419	Explanatory Booklet	1				
CABINET							
	4-2379-21520	Terminal Lug	1				
	131-6-4559-11200	Serial No. Sheet	1				
	141-2-4729-04200	Lug	1				
	141-2-4729-07100	Wire Band	9				
1	131-2-1410-35400	Cover	1				
2	131-2-1601-69601	Knob (Speaker Selector)	2				
3	131-2-1601-93303	Knob (Power)	1				
4	131-2-1601-93400	Knob (Balance)	1				
5	131-2-3202-13400	Metal Reinforce	2				
6	131-2-3608-16409	Filter	1				
7	131-2-5205-33300	Cushion	1				
8	141-0-1129-25008	Cabinet Front Assy	1				
	141-2-1129-52001	Cabinet Front	1				
	141-2-1319-52300	Window	1				
	141-2-1449-61297	Plate Front	1				
	141-2-1449-65012	Plate Decorate	1				
	141-2-2449-58400	Shelter Slide Volume	1				
	131-2-6113-53300	Shelter	1				
9	141-0-3519-26800	Mount P.C.B. Assy	1				
	141-2-3519-84600	Mount P.C.B.	1				
	141-2-1449-65110	Screen LCD	1				
	141-2-3229-62500	Plate Shield	1				
	4-2359-79034	Connector 1P Assy	1				
10	141-2-1659-35900	Knob (Equalizer)	5				
11	141-2-1659-63400	Knob (Function)	5				
12	141-2-1659-63500	Knob (Loudness)	1				
13	141-2-1659-63601	Knob (Volume)	1				
14	141-2-3159-03300	Bracket Cover	1				
15	141-2-4469-55500	Cushion	1				
16	131-2-4221-00600	Rivet	2				
17	131-2-1410-34838	Cover Heat Sink	1				
18	131-2-1801-14100	Leg	4				
19	131-2-4201-17800	Screw Ground	1				
20	131-2-5205-15800	Cushion	1				
21	131-2-5205-35900	Cushion	1				
22	131-2-6111-14200	Bushing (4N-4)	1				
23	131-2-6201-38500	Heat Sink	1				
24	141-2-1219-40907	Panel Rear	1				

NOTES:

1. Parts order must contain Model Number, Part Number and Description.
2. Ordering quantity of screws and resistors must be multiple of 10 pcs.

P.C.BOARD PARTS LIST

Ref. No.	Part No.	Description	Q'ty	Ref. No.	Part No.	Description	Q'ty
GRAPHIC EQ. P.C.B. ASSY				R306	401 026 1000	CARBON 2.7K JA 1/6W	1
41	141-0-1939-20570	Graphic EQ. P.C.B. Assy	1	R307	401 026 1000	CARBON 2.7K JA 1/6W	1
W301	4-2352-02209	Connector 6P Assy	1	R308	401 026 1000	CARBON 2.7K JA 1/6W	1
W302	4-2352-02205	Connector 6P Assy	1	R309	401 026 1000	CARBON 2.7K JA 1/6W	1
S301	4-2319-77780	SW Push 1 Key (Loudness)	1	R310	401 026 4308	CARBON 3.3K JA 1/6W	1
VR301	4-2229-76930	Slide VR (SW-250kΩx2, 63Hz)	1	R311	401 026 9907	CARBON 4.7K JA 1/6W	1
VR302	4-2229-76930	Slide VR (SW-250kΩx2, 250Hz)	1	R312	401 026 9907	CARBON 4.7K JA 1/6W	1
VR303	4-2229-76930	Slide VR (SW-250kΩx2, 1kHz)	1	R313	401 027 5205	CARBON 680 JA 1/6W	1
VR304	4-2229-76930	Slide VR (SW-250kΩx2, 4kHz)	1	R314	401 027 5205	CARBON 680 JA 1/6W	1
VR305	4-2229-76930	Slide VR (SW-250kΩx2, 16kHz)	1	R315	401 025 8703	CARBON 220K JA 1/6W	1
VR306	4-2229-75980	Slide VR (W-200kΩ, Balance)	1	R316	401 025 8703	CARBON 220K JA 1/6W	1
VR307	4-2229-76220	Slide VR (A-100kΩx2, Volume)	1	R317	401 026 6609	CARBON 390 JA 1/6W	1
IC301	409 018 5104	IC LA6458SS	1	R318	401 027 2600	CARBON 5.6K JA 1/6W	1
Q301	405 019 1909	TR 2SC536-E-NP	1	R319	401 027 2600	CARBON 5.6K JA 1/6W	1
Q302	405 019 1909	TR 2SC536-E-NP	1	R320	401 026 6609	CARBON 390 JA 1/6W	1
Q303	405 019 1909	TR 2SC536-E-NP	1	R321	401 024 7004	CARBON 1K JA 1/6W	1
Q304	405 019 1909	TR 2SC536-E-NP	1	R322	401 024 7004	CARBON 1K JA 1/6W	1
Q305	405 019 1909	TR 2SC536-E-NP	1	R323	401 024 7707	CARBON 100K JA 1/6W	1
Q306	405 019 1909	TR 2SC536-E-NP	1	R324	401 024 7707	CARBON 100K JA 1/6W	1
Q307	405 019 1909	TR 2SC536-E-NP	1	R325	401 026 6609	CARBON 390 JA 1/6W	1
Q308	405 019 1909	TR 2SC536-E-NP	1	R326	401 027 2600	CARBON 5.6K JA 1/6W	1
Q309	405 019 1909	TR 2SC536-E-NP	1	R327	401 027 2600	CARBON 5.6K JA 1/6W	1
Q310	405 019 1909	TR 2SC536-E-NP	1	R328	401 026 6609	CARBON 390 JA 1/6W	1
C301	403 049 2002	ELECT 1U M 50V	1	R329	401 024 9305	CARBON 1.2K JA 1/6W	1
C302	403 049 2002	ELECT 1U M 50V	1	R330	401 024 9305	CARBON 1.2K JA 1/6W	1
C303	403 009 8105	CERAMIC 100P K 50V	1	R331	401 027 0309	CARBON 47K JA 1/6W	1
C304	403 009 8105	CERAMIC 100P K 50V	1	R332	401 027 0309	CARBON 47K JA 1/6W	1
C305	403 031 0306	CERAMIC 68P K 50V	1	R335	401 026 6609	CARBON 390 JA 1/6W	1
C306	403 031 0306	CERAMIC 68P K 50V	1	R336	401 027 2600	CARBON 5.6K JA 1/6W	1
C307	403 008 5204	CERAMIC 10P D 50V	1	R337	401 027 2600	CARBON 5.6K JA 1/6W	1
C308	403 008 5204	CERAMIC 10P D 50V	1	R338	401 026 6609	CARBON 390 JA 1/6W	1
C309	403 042 0807	ELECT 10U M 16V	1	R339	401 024 9305	CARBON 1.2K JA 1/6W	1
C310	403 042 0807	ELECT 10U M 16V	1	R340	401 024 9305	CARBON 1.2K JA 1/6W	1
C311	403 047 1809	ELECT 4.7U M 25V	1	R341	401 026 7408	CARBON 39K JA 1/6W	1
C312	403 047 1809	ELECT 4.7U M 25V	1	R342	401 026 7408	CARBON 39K JA 1/6W	1
C313	403 050 1209	ELECT 2.2U M 50V	1	R343	401 026 6609	CARBON 390 JA 1/6W	1
C314	403 050 1209	ELECT 2.2U M 50V	1	R344	401 027 2600	CARBON 5.6K JA 1/6W	1
C315	403 060 2807	POLYESTER 0.027U K 50V	1	R345	401 027 2600	CARBON 5.6K JA 1/6W	1
C316	403 060 2807	POLYESTER 0.027U K 50V	1	R346	401 026 6609	CARBON 390 JA 1/6W	1
C317	403 048 7602	ELECT 0.47U M 50V	1	R347	401 024 9305	CARBON 1.2K JA 1/6W	1
C318	403 048 7602	ELECT 0.47U M 50V	1	R348	401 024 9305	CARBON 1.2K JA 1/6W	1
C319	403 057 0908	POLYESTER 0.01U K 50V	1	R349	401 026 1307	CARBON 27K JA 1/6W	1
C320	403 057 0908	POLYESTER 0.01U K 50V	1	R350	401 026 1307	CARBON 27K JA 1/6W	1
C321	403 067 8406	MT-COMPO 0.082U J 50V	1	R351	401 026 6609	CARBON 390 JA 1/6W	1
C322	403 067 8406	MT-COMPO 0.082U J 50V	1	R352	401 027 2600	CARBON 5.6K JA 1/6W	1
C323	403 061 8709	POLYESTER 4700P K 50V	1	R353	401 027 2600	CARBON 5.6K JA 1/6W	1
C324	403 061 8709	POLYESTER 4700P K 50V	1	R354	401 026 6609	CARBON 390 JA 1/6W	1
C325	403 059 6601	POLYESTER 0.022U K 50V	1	R355	401 025 1605	CARBON 1.5K JA 1/6W	1
C326	403 059 6601	POLYESTER 0.022U K 50V	1	R356	401 025 1605	CARBON 1.5K JA 1/6W	1
C327	403 058 1607	POLYESTER 1500P K 50V	1	R357	401 026 9907	CARBON 4.7K JA 1/6W	1
C328	403 058 1607	POLYESTER 1500P K 50V	1	R358	401 026 9907	CARBON 4.7K JA 1/6W	1
C329	403 061 8709	POLYESTER 4700P K 50V	1	R359	401 024 7707	CARBON 100K JA 1/6W	1
C330	403 061 8709	POLYESTER 4700P K 50V	1	R360	401 024 7707	CARBON 100K JA 1/6W	1
C331	403 031 2805	CERAMIC 680P K 50V	1	R361	401 025 4200	CARBON 1.8K JA 1/6W	1
C332	403 031 2805	CERAMIC 680P K 50V	1	R363	401 019 9600	CARBON 47 JA 1/4W	1
C333	403 023 5807	CERAMIC 330P K 50V	1	R364	401 019 9600	CARBON 47 JA 1/4W	1
C334	403 023 5807	CERAMIC 330P K 50V	1				
C335	403 067 7706	MT-COMPO 0.047U J 50V	1	PHONO EQ. P.C.B. ASSY			
C336	403 067 7706	MT-COMPO 0.047U J 50V	1	42	141-0-1939-20581	Phono EQ. P.C.B. Assy	1
C337	403 044 0706	ELECT 47U M 16V	1		4-2352-01700	Pin Jack 4P (PHOTO, TUNER) (CD, VIDEO/AUX)	2
C338	403 044 0706	ELECT 47U M 16V	1		4-2359-78835	Connector 1P Assy	1
R301	401 025 1605	CARBON 1.5K JA 1/6W	1	IC101	409 018 4503	IC LA6458DS	1
R302	401 025 1605	CARBON 1.5K JA 1/6W	1	C101	403 023 5807	CERAMIC 330P K 50V	1
R303	401 027 3003	CARBON 56K JA 1/6W	1	C102	403 023 5807	CERAMIC 330P K 50V	1
R304	401 027 3003	CARBON 56K JA 1/6W	1	C103	403 047 1502	ELECT 4.7U M 25V	1
R305	401 026 4308	CARBON 3.3K JA 1/6W	1	C104	403 047 1502	ELECT 4.7U M 25V	1

P.C.BOARD PARTS LIST (Continued)

Ref. No.	Part No.	Description	Q'ty	Ref. No.	Part No.	Description	Q'ty								
C105	403 039 2906	ELECT 47U M 6.3V	1	R201	401 093 5109	OXIDE-MT 820 JB 1/2W	1								
C106	403 039 2906	ELECT 47U M 6.3V	1	R202	401 014 4105	CARBON 1.5K JA 1/4W	1								
C107	403 018 8509	CERAMIC 220P K 50V	1	LED IND. P.C.B. ASSY											
C108	403 018 8509	CERAMIC 220P K 50V	1												
C109	403 059 0401	POLYESTER 0.018U K 50V	1					45	141-0-1939-20610	LED Ind. P.C.B. Assy	1				
C110	403 059 0401	POLYESTER 0.018U K 50V	1					131-2-4208-28000	Spacer	5					
C111	403 061 8709	POLYESTER 4700P K 50V	1					D201	407 063 1805	LED SLR-54PT3 (Phono)	1				
C112	403 061 8709	POLYESTER 4700P K 50V	1					D202	407 063 1805	LED SLR-54PT3 (Tuner)	1				
C113	403 049 1609	ELECT 1U M 50V	1					D203	407 063 1805	LED SLR-54PT3 (CD)	1				
C114	403 049 1609	ELECT 1U M 50V	1					D204	407 063 1805	LED SLR-54PT3 (Video/Aux)	1				
C115	403 047 4206	ELECT 47U M 25V	1					D205	407 063 2109	LED SLR-54VT3 (Tape Monitor)	1				
C116	403 047 4206	ELECT 47U M 25V	1					SPECTRUM ANALYZER P.C.B. ASSY							
C117	403 074 2701	CERAMIC 0.047U Z 50V	1									46	141-0-1939-20620	Spectrum Analyzer P.C.B. Assy	1
C118	403 018 8509	CERAMIC 220P K 50V	1									131-2-6306-12100	Reflector	1	
C119	403 018 8509	CERAMIC 220P K 50V	1	131-2-6308-25800	Filter LCD	1									
C120	403 018 8509	CERAMIC 220P K 50V	1	411 021 2704	SCR S-TPG BIN 2.6X6	2									
C121	403 018 8509	CERAMIC 220P K 50V	1	W303	4-2352-02650	Socket Jumper 4P	1								
C122	403 018 8509	CERAMIC 220P K 50V	1	D401	407 008 0405	DIODE GMB01-BT	1								
C123	403 018 8509	CERAMIC 220P K 50V	1	D403	407 008 0405	DIODE GMB01-BT	1								
C124	403 018 8509	CERAMIC 220P K 50V	1	D404	407 008 0405	DIODE GMB01-BT	1								
C135	403 018 8509	CERAMIC 220P K 50V	1	D405	407 008 0405	DIODE GMB01-BT	1								
R101	401 025 1605	CARBON 1.5K JA 1/6W	1	D406	407 008 0405	DIODE GMB01-BT	1								
R102	401 025 1605	CARBON 1.5K JA 1/6W	1	D407	407 008 0405	DIODE GMB01-BT	1								
R103	401 024 7707	CARBON 100K JA 1/6W	1	LCD1	4-9549-70120	LCD, FTD6497	1								
R104	401 024 7707	CARBON 100K JA 1/6W	1	IC401	409 018 5104	IC LA6458SS	1								
R105	401 024 7707	CARBON 100K JA 1/6W	1	IC403	409 018 5104	IC LA6458SS	1								
R106	401 024 7707	CARBON 100K JA 1/6W	1	IC404	409 018 5104	IC LA6458SS	1								
R107	401 026 3905	CARBON 330 JA 1/6W	1	IC405	409 074 1102	IC LC7561	1								
R108	401 026 3905	CARBON 330 JA 1/6W	1	C401	403 049 1609	ELECT 1U M 50V	1								
R109	401 025 8703	CARBON 220K JA 1/6W	1	C402	403 039 2906	ELECT 47U M 6.3V	1								
R110	401 025 8703	CARBON 220K JA 1/6W	1	C403	403 049 1609	ELECT 1U M 50V	1								
R111	401 025 1902	CARBON 15K JA 1/6W	1	C407	403 061 2608	POLYESTER 3900P K 50V	1								
R112	401 025 1902	CARBON 15K JA 1/6W	1	C408	403 061 2608	POLYESTER 3900P K 50V	1								
R113	401 024 7707	CARBON 100K JA 1/6W	1	C409	403 049 1609	ELECT 1U M 50V	1								
R114	401 024 7707	CARBON 100K JA 1/6W	1	C410	403 058 3700	POLYESTER 0.015U K 50V	1								
R115	401 025 7805	CARBON 2.2K JA 1/6W	1	C411	403 058 3700	POLYESTER 0.015U K 50V	1								
R116	401 025 7805	CARBON 2.2K JA 1/6W	1	C412	403 049 1609	ELECT 1U M 50V	1								
R117	401 024 7004	CARBON 1K JA 1/6W	1	C413	403 056 8608	POLYESTER 1000P K 50V	1								
R118	401 024 7004	CARBON 1K JA 1/6W	1	C414	403 056 8608	POLYESTER 1000P K 50V	1								
R119	401 024 7004	CARBON 1K JA 1/6W	1	C415	403 049 1609	ELECT 1U M 50V	1								
R120	401 024 7004	CARBON 1K JA 1/6W	1	C416	403 060 1008	POLYESTER 2700P K 50V	1								
R121	401 024 7004	CARBON 1K JA 1/6W	1	C417	403 060 1008	POLYESTER 2700P K 50V	1								
R122	401 024 7004	CARBON 1K JA 1/6W	1	C418	403 049 1609	ELECT 1U M 50V	1								
R123	401 015 1608	CARBON 180 JA 1/4W	1	C419	403 056 8608	POLYESTER 1000P K 50V	1								
R124	401 015 1608	CARBON 180 JA 1/4W	1	C420	403 056 8608	POLYESTER 1000P K 50V	1								
PIN JACK P.C.B. ASSY				C421	403 049 1609	ELECT 1U M 50V	1								
43	141-0-1939-20591	Pin Jack P.C.B. Assy	1	C425	403 044 0201	ELECT 47U M 16V	1								
	4-2352-01780	Pin Jack 6P (Tape, Video)	1	C426	403 044 0201	ELECT 47U M 16V	1								
C129	403 018 8509	CERAMIC 220P K 50V	1	C427	403 047 9607	ELECT 0.1U M 50V	1								
C130	403 018 8509	CERAMIC 220P K 50V	1	C428	403 047 9607	ELECT 0.1U M 50V	1								
C131	403 018 8509	CERAMIC 220P K 50V	1	C429	403 060 6607	POLYESTER 3300P K 50V	1								
C132	403 018 8509	CERAMIC 220P K 50V	1	R401	401 024 7707	CARBON 100K JA 1/6W	1								
C133	403 018 8509	CERAMIC 220P K 50V	1	R402	401 027 5908	CARBON 68K JA 1/6W	1								
C134	403 018 8509	CERAMIC 220P K 50V	1	R403	401 027 5205	CARBON 680 JA 1/6W	1								
R125	401 024 7004	CARBON 1K JA 1/6W	1	R404	401 025 8703	CARBON 220K JA 1/6W	1								
R126	401 024 7004	CARBON 1K JA 1/6W	1	R409	401 025 4903	CARBON 180K JA 1/6W	1								
R127	401 024 7004	CARBON 1K JA 1/6W	1	R410	401 026 1307	CARBON 27K JA 1/6W	1								
R128	401 024 7004	CARBON 1K JA 1/6W	1	R411	401 024 8001	CARBON 1M JA 1/6W	1								
R129	401 024 7004	CARBON 1K JA 1/6W	1	R412	401 025 8703	CARBON 220K JA 1/6W	1								
R130	401 024 7004	CARBON 1K JA 1/6W	1	R413	401 025 4903	CARBON 180K JA 1/6W	1								
				R414	401 026 1307	CARBON 27K JA 1/6W	1								
				R415	401 024 8001	CARBON 1M JA 1/6W	1								
FUNCTION P.C.B. ASSY				R416	401 025 8703	CARBON 220K JA 1/6W	1								
44	141-0-1939-20600	Function P.C.B. Assy	1	R417	401 025 4903	CARBON 180K JA 1/6W	1								
W302	4-2369-76670	Plug 6P	1	R418	401 026 1307	CARBON 27K JA 1/6W	1								
S201	4-2319-79660	Push SW 5 Key (Tape Monitor, Function)	1												

P.C.BOARD PARTS LIST(Continued)

Ref. No.	Part No.	Description	Q'ty	Ref. No.	Part No.	Description	Q'ty
C554	404 012 7000	CERAMIC 0.01U P 500V	1	R560	401 023 1706	CARBON 820 JA 1/4W	1
C555	404 012 7000	CERAMIC 0.01U P 500V	1	R561	401 016 3809	CARBON 2.2K JA 1/4W	1
C556	404 012 7000	CERAMIC 0.01U P 500V	1	R562	401 016 3809	CARBON 2.2K JA 1/4W	1
C559	4-2239-72180	Elect 6800MF 72V	1	R563	402 016 5305	FUSIBLE RES 390 J- 1/2W	1
C560	4-2239-72180	Elect 6800MF 72V	1	R564	401 025 8703	CARBON 220K JA 1/6W	1
C563	4-2239-72120	Ceram 220PF 500V K	1	R565	401 018 4903	CARBON 33K JA 1/4W	1
C564	4-2239-72120	Ceram 220PF 500V K	1	R567	401 062 2405	OXIDE-MT 4.7K JB 1W	1
C565	403 075 8504	CERAMIC 120P K 500V	1	R569	401 024 7400	CARBON 10K JA 1/6W	1
C566	403 075 8504	CERAMIC 120P K 500V	1	R570	401 024 7400	CARBON 10K JA 1/6W	1
C567	403 067 5603	MT-COMPO 0.1U J 50V	1	R571	401 027 0507	CARBON 470K JA 1/6W	1
C568	403 067 5603	MT-COMPO 0.1U J 50V	1	R572	401 027 0507	CARBON 470K JA 1/6W	1
C570	403 038 2303	ELECT 100U M 6.3V	1	R573	401 021 3009	CARBON 5.6K JA 1/4W	1
C571	403 086 8104	NP-ELECT 4.7U M 50V	1	R574	401 021 3009	CARBON 5.6K JA 1/4W	1
C590	403 018 8509	CERAMIC 220P K 50V	1	R575	401 022 1905	CARBON 680 JA 1/4W	1
C591	403 018 8509	CERAMIC 220P K 50V	1	R576	401 022 1905	CARBON 680 JA 1/4W	1
R501	401 024 7004	CARBON 1K JA 1/6W	1	R577	401 013 5301	CARBON 1.2K JA 1/4W	1
R502	401 024 7004	CARBON 1K JA 1/6W	1	R578	401 013 5301	CARBON 1.2K JA 1/4W	1
R503	401 024 7707	CARBON 100K JA 1/6W	1	R579	401 015 2704	CARBON 1.8K JA 1/4W	1
R504	401 024 7707	CARBON 100K JA 1/6W	1	R580	401 015 2704	CARBON 1.8K JA 1/4W	1
R507	401 027 5908	CARBON 68K JA 1/6W	1	R585	401 063 0202	OXIDE-MT 68 JB 1W	1
R508	401 027 5908	CARBON 68K JA 1/6W	1	R590	401 055 0005	OXIDE-MT 120 JB 1/2W	1
R509	401 027 2303	CARBON 560 JA 1/6W	1	R593	401 016 4806	CARBON 22K JA 1/4W	1
R510	401 027 2303	CARBON 560 JA 1/6W	1	R594	401 020 3901	CARBON 470K JA 1/4W	1
R511	401 027 8602	CARBON 8.2K JA 1/6W	1	R595	401 016 4806	CARBON 22K JA 1/4W	1
R512	401 027 8602	CARBON 8.2K JA 1/6W	1	R596	401 025 1902	CARBON 15K JA 1/6W	1
R513	401 027 2105	CARBON 56 JA 1/6W	1	R597	401 018 4903	CARBON 33K JA 1/4W	1
R514	401 027 2105	CARBON 56 JA 1/6W	1				
R515	401 026 7408	CARBON 39K JA 1/6W	1				
R516	401 026 7408	CARBON 39K JA 1/6W	1				
R517	401 027 8602	CARBON 8.2K JA 1/6W	1	48	141-0-1939-20641	Power SW. P.C.B. Assy	1
R518	401 027 8602	CARBON 8.2K JA 1/6W	1		4-2352-00970	Headphone Jack 3P (Headphones)	1
R519	401 027 2105	CARBON 56 JA 1/6W	1		4-2372-00830	EC Terminal 1P	2
R520	401 027 2105	CARBON 56 JA 1/6W	1		111-2-6220-11100	Wire Wrap Terminal	2
R521	401 026 4605	CARBON 33K JA 1/6W	1		131-2-6114-00200	Cover Safety	1
R522	401 026 4605	CARBON 33K JA 1/6W	1	W701	4-2439-73063	Wire 6 Parallel	1
R523	402 015 5603	FUSIBLE RES 82 J- 1/4W	1	S701	△ 4-2319-76340	SW Push Power (Power)	1
R524	402 015 5603	FUSIBLE RES 82 J- 1/4W	1	S702	4-2319-77341	SW Push 1 Key (Speaker A)	1
R525	402 015 9700	FUSIBLE RES 82 J- 1/4W	1	S703	4-2319-77341	SW Push 1 Key (Speaker B)	1
R526	402 015 5603	FUSIBLE RES 82 J- 1/4W	1	C701	△ 4-2239-70970	Capacitor 0.01MF400V	1
R527	402 015 3005	FUSIBLE RES 10 J- 1/4W	1	R701	401 069 3009	OXIDE-MT 680 JA 2W	1
R528	402 015 3005	FUSIBLE RES 10 J- 1/4W	1	R702	401 069 3009	OXIDE-MT 680 JA 2W	1
R529	402 015 3005	FUSIBLE RES 10 J- 1/4W	1	R703	401 017 0807	CARBON 270 JA 1/4W	1
R530	402 015 3005	FUSIBLE RES 10 J- 1/4W	1	R704	401 017 0807	CARBON 270 JA 1/4W	1
R531	402 015 9205	FUSIBLE RES 47 J- 1/4W	1	R705	401 017 0807	CARBON 270 JA 1/4W	1
R532	402 015 9205	FUSIBLE RES 47 J- 1/4W	1	R706	401 017 0807	CARBON 270 JA 1/4W	1
R533	402 015 4705	FUSIBLE RES 47 J- 1/4W	1				
R534	402 015 9205	FUSIBLE RES 47 J- 1/4W	1				
R535	402 015 3708	FUSIBLE RES 2.2 J- 1/4W	1	49	141-0-1939-20651	Speaker Terminal P.C.B. Assy	1
R536	402 015 3708	FUSIBLE RES 2.2 J- 1/4W	1		4-2372-01160	SP 8P Terminal (Speaker)	1
R537	402 015 8406	FUSIBLE RES 2.2 J- 1/4W	1	W702	4-2439-73065	Wire 2 Parallel	1
R538	402 015 8406	FUSIBLE RES 2.2 J- 1/4W	1	C703	403 069 1504	CERAMIC 1000P K 50V	1
R539	401 027 5908	CARBON 68K JA 1/6W	1	C704	403 069 1504	CERAMIC 1000P K 50V	1
R540	401 027 5908	CARBON 68K JA 1/6W	1	C705	403 069 1504	CERAMIC 1000P K 50V	1
R541	402 016 5107	FUSIBLE RES 330 J- 1/2W	1	C706	403 069 1504	CERAMIC 1000P K 50V	1
R542	402 016 5107	FUSIBLE RES 330 J- 1/2W	1				
R543	4-2219-70370	Cement 0.22x2 5W	1				
R544	4-2219-70370	Cement 0.22x2 5W	1				
R545	401 019 6203	CARBON 4.7 JA 1/4W	1				
R546	401 019 6203	CARBON 4.7 JA 1/4W	1				
R547	401 058 1207	OXIDE-MT 10 JB 1W	1				
R548	401 058 1207	OXIDE-MT 10 JB 1W	1				
R549	401 024 7707	CARBON 100K JA 1/6W	1	51	141-0-1939-23290	Lamp P.C.B. Assy	1
R550	401 024 7707	CARBON 100K JA 1/6W	1		111-2-6220-11100	Wire Wrap Terminal	4
R551	401 025 4606	CARBON 18K JA 1/6W	1				
R552	401 020 2904	CARBON 47K JA 1/4W	1				
R559	401 023 1706	CARBON 820 JA 1/4W	1				

POWER SW. P.C.B. ASSY

SPEAKER TERMINAL P.C.B. ASSY

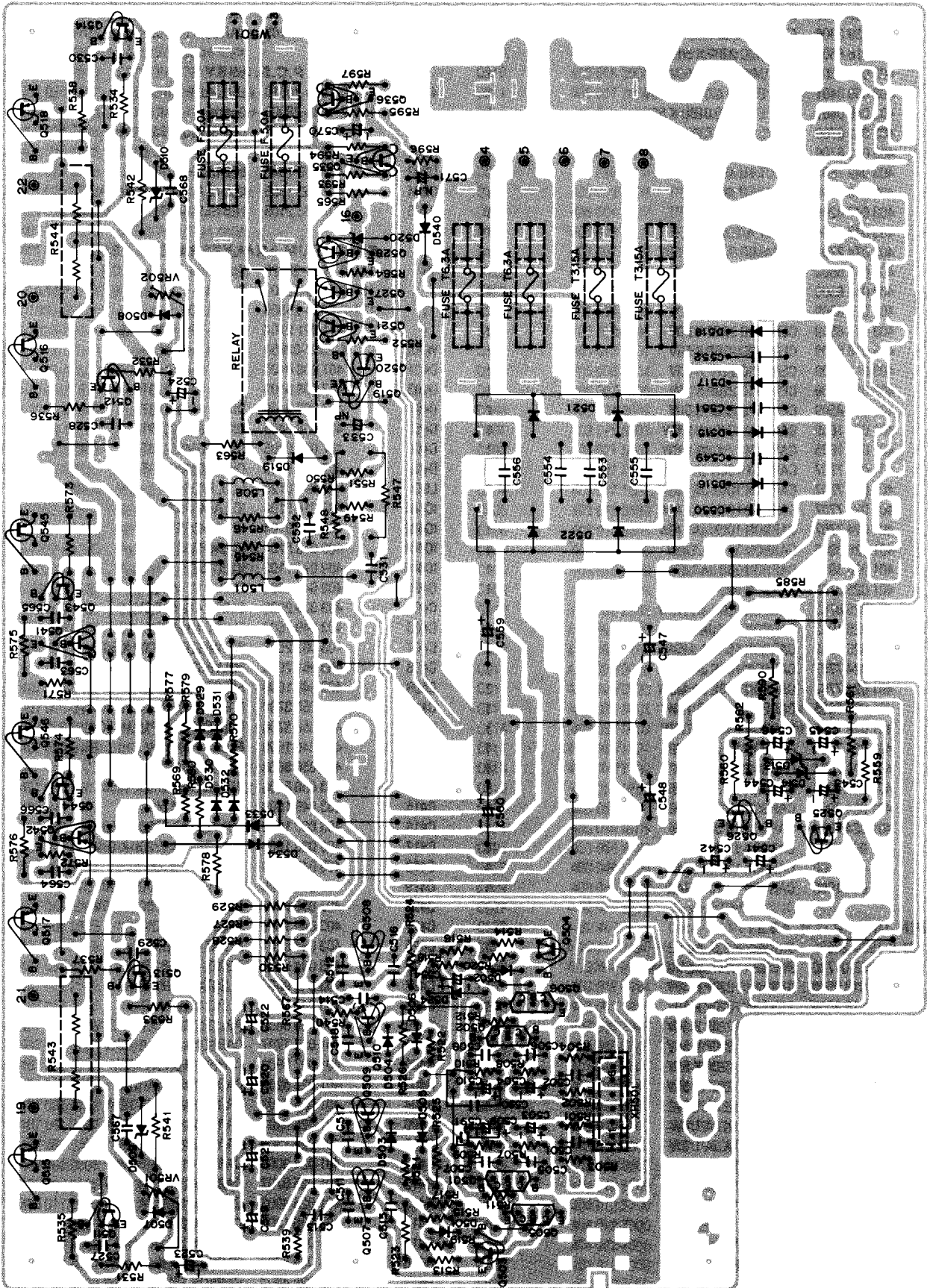
BIAS P.C.B. ASSY

LAMP P.C.B. ASSY

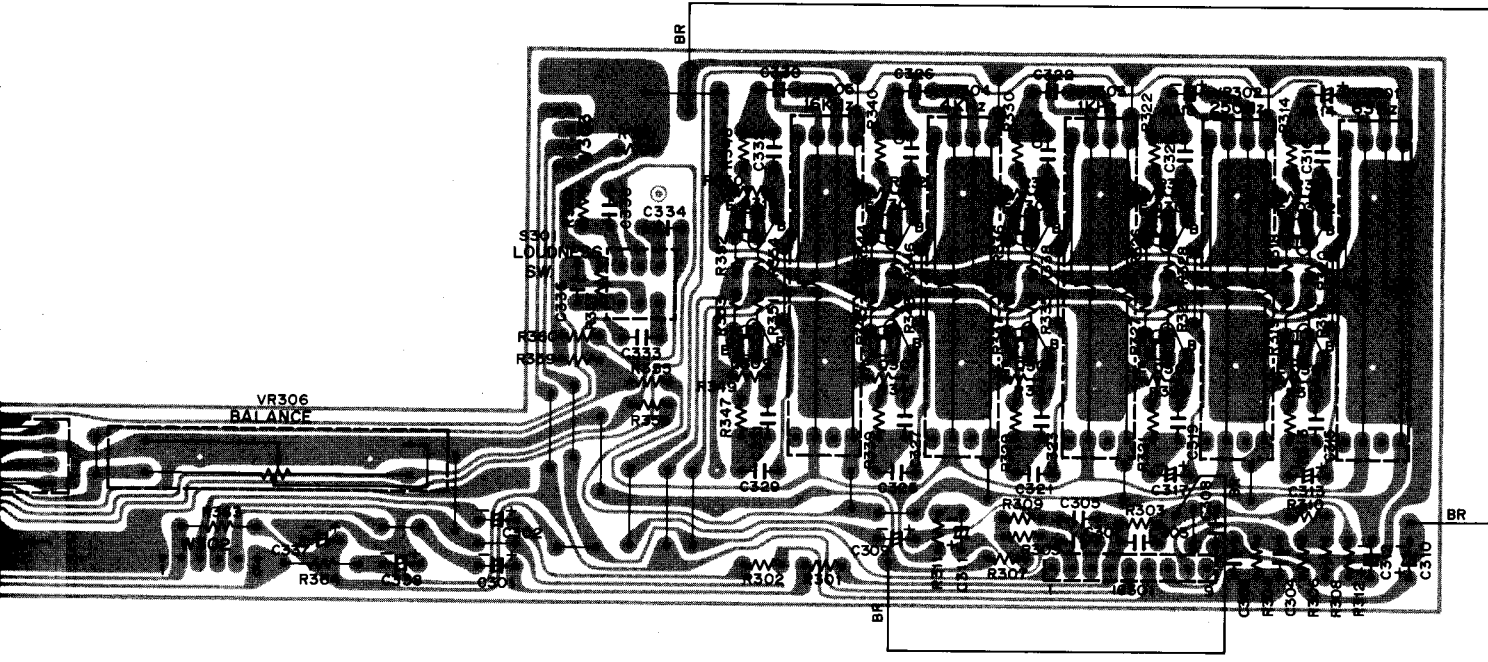
NOTES:

- Parts order must contain Model Number, Part Number and Description.
- Ordering quantity of screws and resistors must be multiple of 10 pcs.

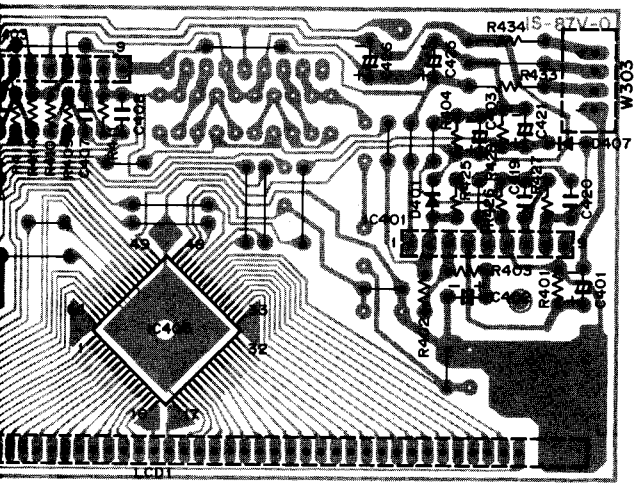
MAIN AMPLIFIER PRINTED CIRCUIT BOARD (BOTTOM VIEW)



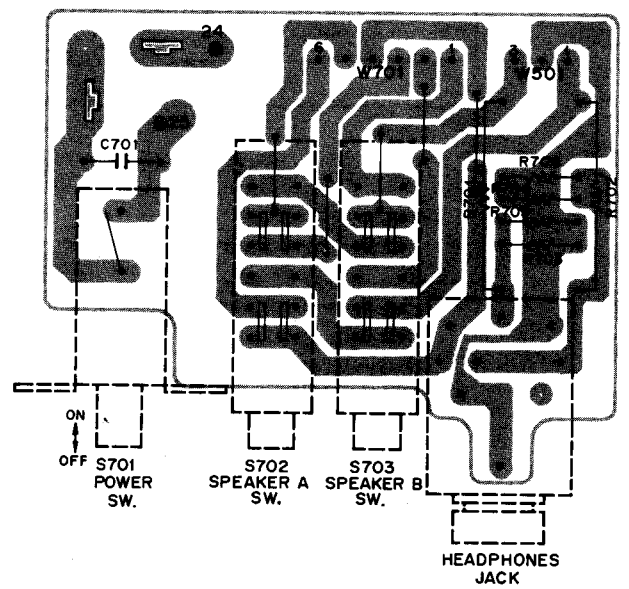
**GRAPHIC EQUALIZER PRINTED CIRCUIT BOARD
(BOTTOM VIEW)**



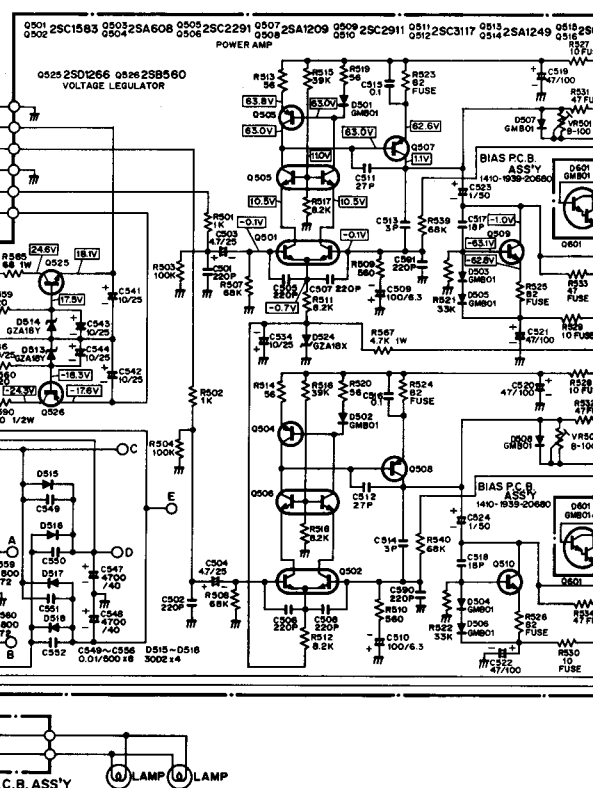
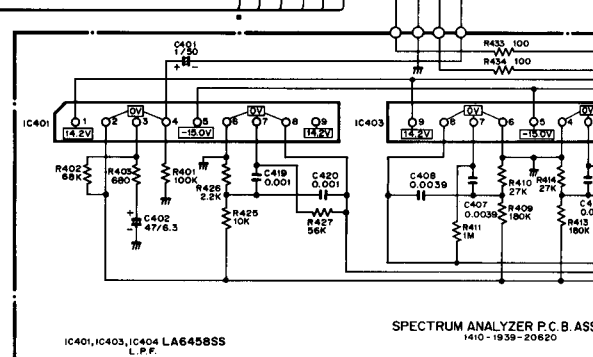
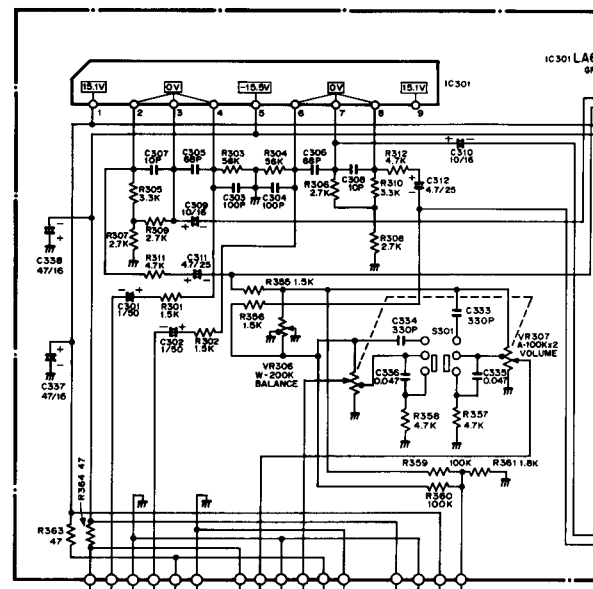
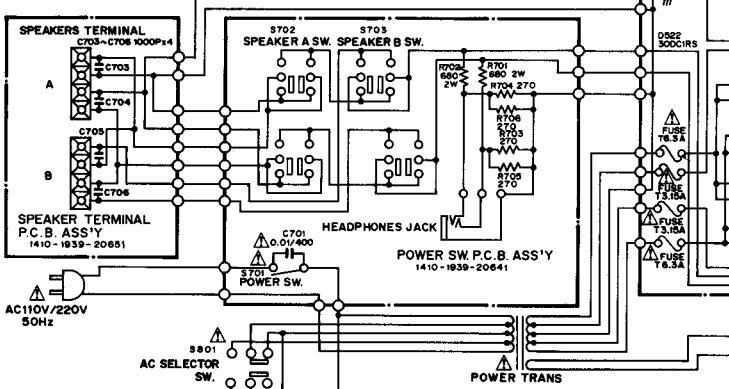
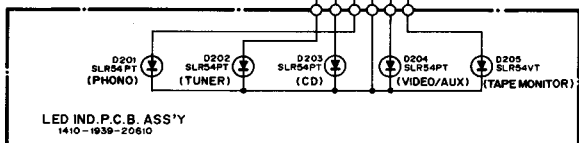
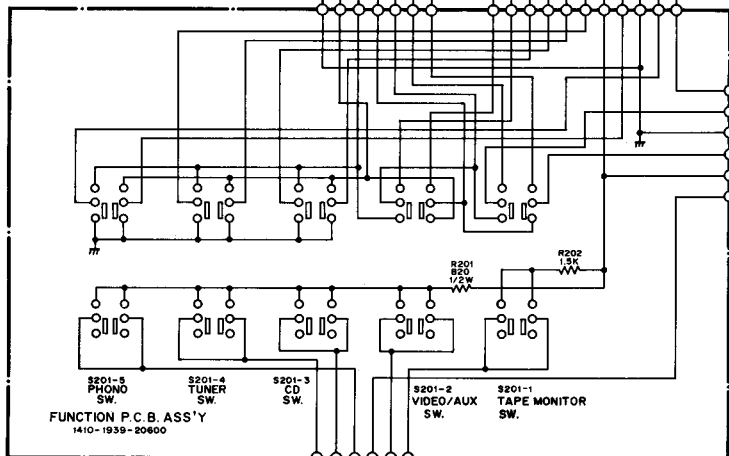
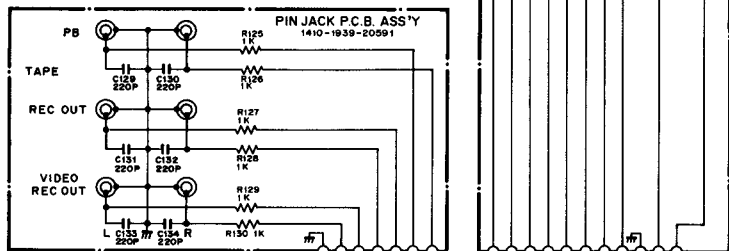
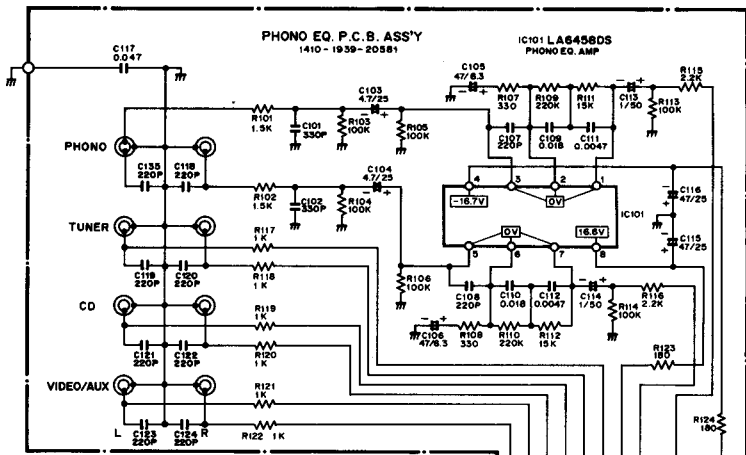
**DRUM ANALYZER P.C. BOARD
(BOTTOM VIEW)**



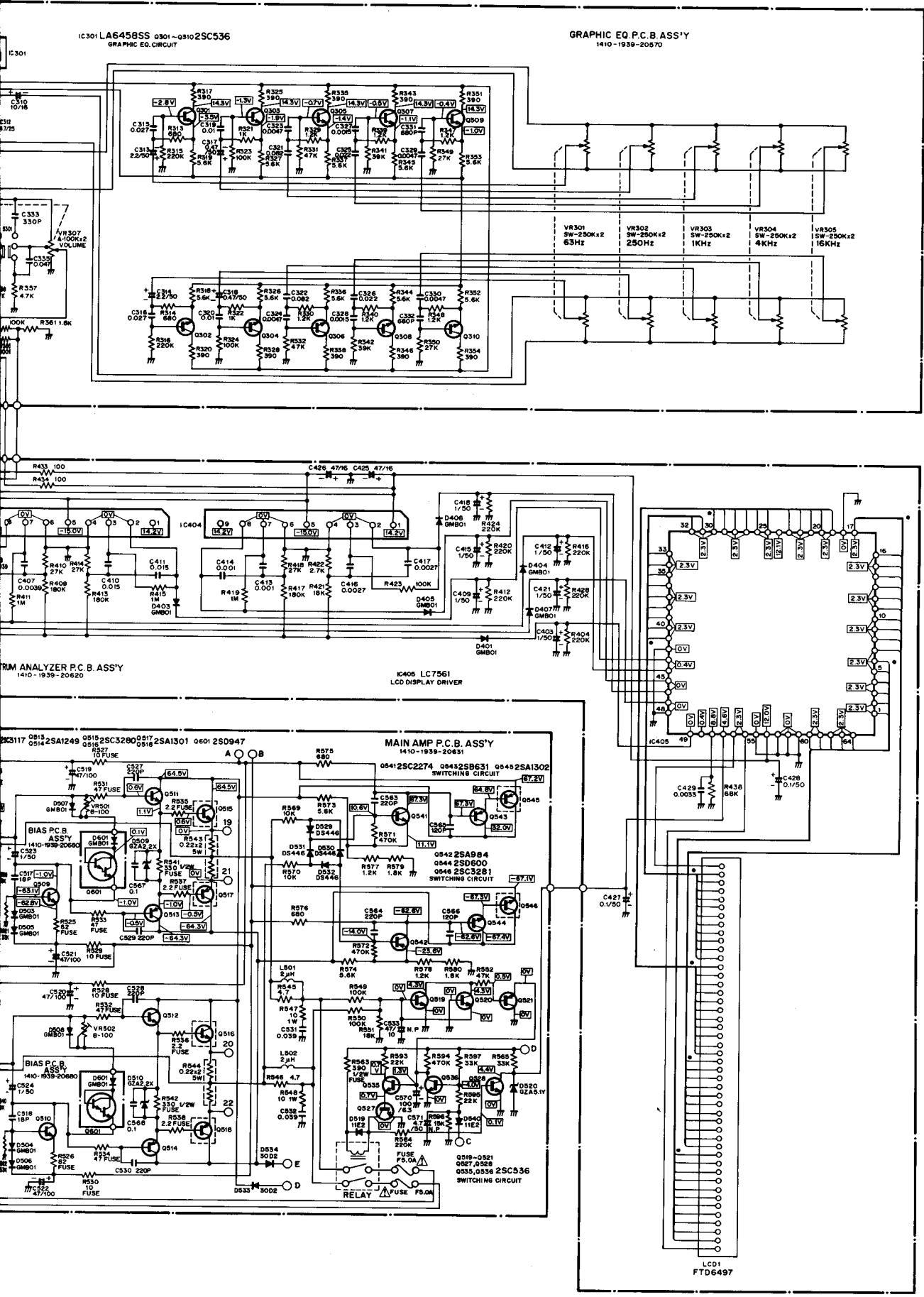
**POWER SWITCH P.C. BOARD
(BOTTOM VIEW)**



SCHEMATIC DIAGRAM



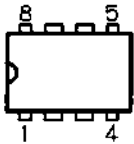
C DIAGRAM



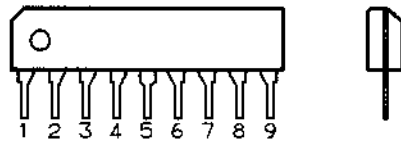
SEMICONDUCTOR LEAD IDENTIFICATION

TRANSISTOR	FRONT VIEW	BOTTOM VIEW	TRANSISTOR	FRONT VIEW	BOTTOM VIEW
2SA 608 2SA 984 2SB 560 2SC 536 2SC 2274			2SA 1301 2SA 1302 2SC 3280 2SC 3281		
2SD 1266			2SC 2291		
2SA 1209 2SA 1249 2SB 631 2SC 2911 2SC 3117 2SD 600 2SD 947			2SC 1583		
TERMINAL NAME					
B → BASE C → COLLECTOR E → EMITTER					

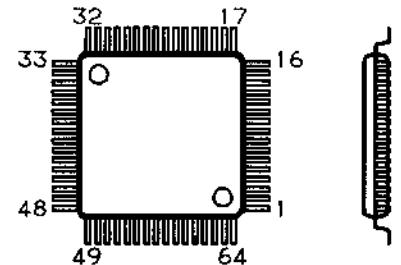
LA 6458 DS TOP VIEW



LA 6458 SS TOP/SIDE VIEW



LC 7561 TOP/SIDE VIEW



SWITCH POSITION TABLE

No.	Name	Position	No.	Name	Position
S201-1	TAPE MONITOR Switch	OFF	S301	LOUDNESS Switch	OFF
S201-2	VIDEO/AUX Switch	OFF	S701	POWER Switch	OFF
S201-3	COMPACT DISC Switch	OFF	S702	SPEAKER A Switch	OFF
S201-4	TUNER Switch	OFF	S703	SPEAKER B Switch	OFF
S201-5	PHONO Switch	OFF	S801	AC SELECTOR Switch	220V

NOTES:

1. All resistors values are indicated in "ohm" (K=10³, M=10⁶).
2. All capacitors values are indicated in "μF" (P=10⁻¹²).
3. All voltages indicated on the schematics are measured under the following conditions.
 - a. Use a V.T.V.M.

- b. All voltages ±10 % with respect to chassis ground
- c. No signals at input terminals
- d. AC input at 220 volts 50 Hz
4. This is a basic schematic diagram.

Because Fisher products are subject to continuous improvement, Fisher Corporation reserves the right to make any changes or modifications without notice.



FISHER

FISHER Hi-Fi Europa Vertriebs GmbH

Stahlgruberring 4 Tel: 089/420 45-0
8000 München 82 Tlx: 524033

Technisches Labor/ Durchwahl -120/121
Qualitätskontrolle

Funkstörmeßlabor -127/128

Service-Zentrale

Color TV -166

Hi-Fi/Audio -168

Video -172

Autoradio -170

Ersatzteillager -155/156

Techn. Schulung -174

Weitere Service-Zentralen in BRD (keine Ersatzteilbestellungen)

Offenbach/ Frankfurt	Frankfurter Straße 121 6050 Offenbach	Tel: 069/88 80 45/48 Tlx: 4 12 558	Hamburg	Spaldingstraße 1 2000 Hamburg	Tel: 040/23 12 23/24 Tlx: 2 173 839
Military	Frankfurter Straße 121 6050 Offenbach	Tel: 069/88 80 45/48 Tlx: 4 12 558	Ditzingen	Max-Eyth-Straße 11 7257 Ditzingen	Tel: 07156/50 88 Tlx: 7 245 278
Düsseldorf-Erkrath	Albert-Einstein-Straße 8 4006 Erkrath 1	Tel: 0211/200 05-0 Tlx: 8 588 563	Berlin (Fisher Vertragswerkstatt)	Drewitz & Kaulbach Eisenacher Straße 53 1000 Berlin 82	Tel: 030/781 20 01 Tlx: 186 480

Unser FISHER-Team steht Ihnen jederzeit gerne zur Verfügung. Ersatzteilbestellungen wickeln Sie bitte ausschließlich mit unserer Service-Zentrale München ab.

Senden Sie uns im Garantiefall die ausgefüllte Garantiekarte ein. Bei unverkauften Lagergeräten des Fachhandels gilt als Garantienachweis eine eidesstattliche Versicherung mit eingetragener Modellbezeichnung und Geräte-Nummer oder ein Liefernachweis. Die gleiche Regelung besteht auch für Reparaturaufträge.

Bitte geben Sie unbedingt die Ersatzteil-Nummer und die Modellbezeichnung an.
Sie sparen so wertvolle Zeit. Vielen Dank.