

Page 1 of 2

See also "9B-SST SOFT START, LED AND CONTROL SCHEMATIC"

EDGE CONNECTOR P1	ALL RESISTORS ARE 0.6 WATT 1% EXCEPT WHERE NOTED.
← PIN #	REVISION HISTORY
INPUT SEL	R10 - CHANGE OF OUTPUT TRANSISTORS - ADD T36
REG ①	Rev 12 23 May 02 WRP
PRO+6dB ②	Fuse for 230v models bound for England chg'd to 3.15A
UNBAL ③	



BRYSTON LTD
677 NEAL DR. PETERBOROUGH, ONTARIO CANADA K9J 7Y4
PHONE (705) 742-5325 FAX (705) 742-0882

9B-SST CHANNEL ASSEMBLY SCHEMATIC

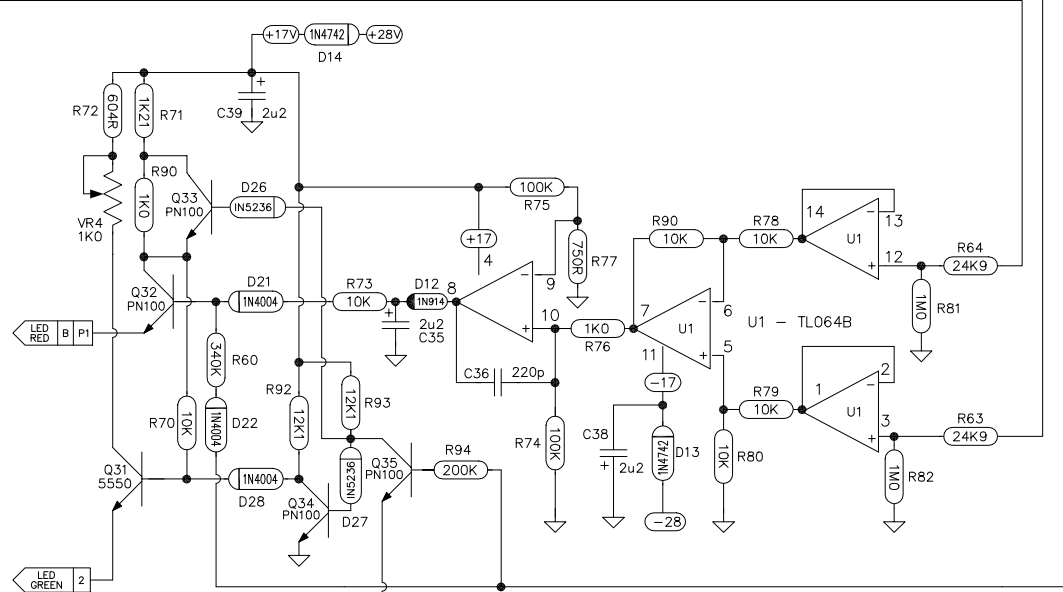
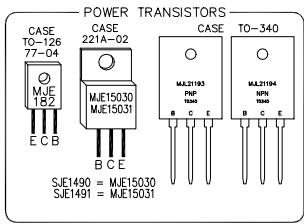
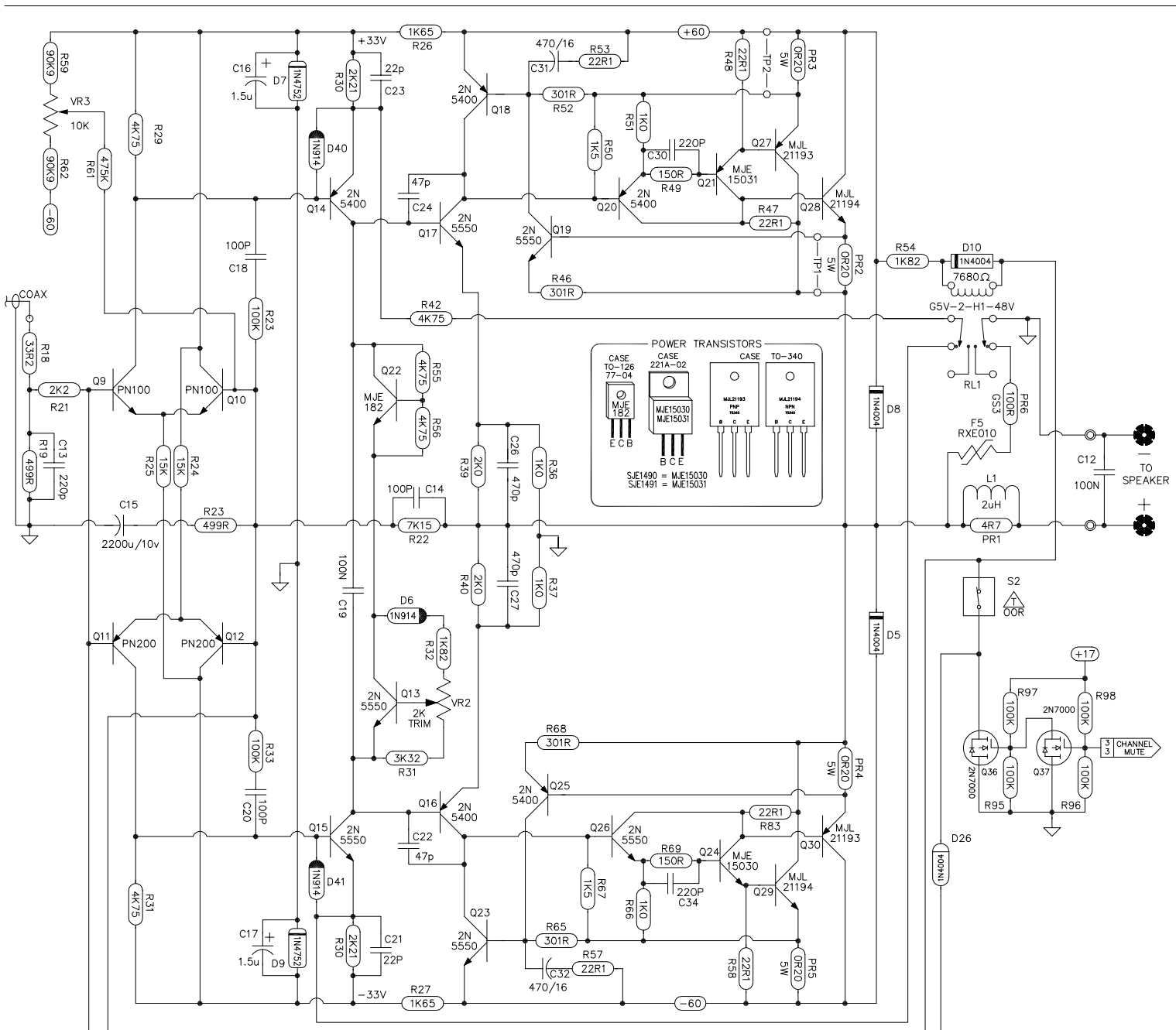
FILE: 9BSST-SCH12

PART No:

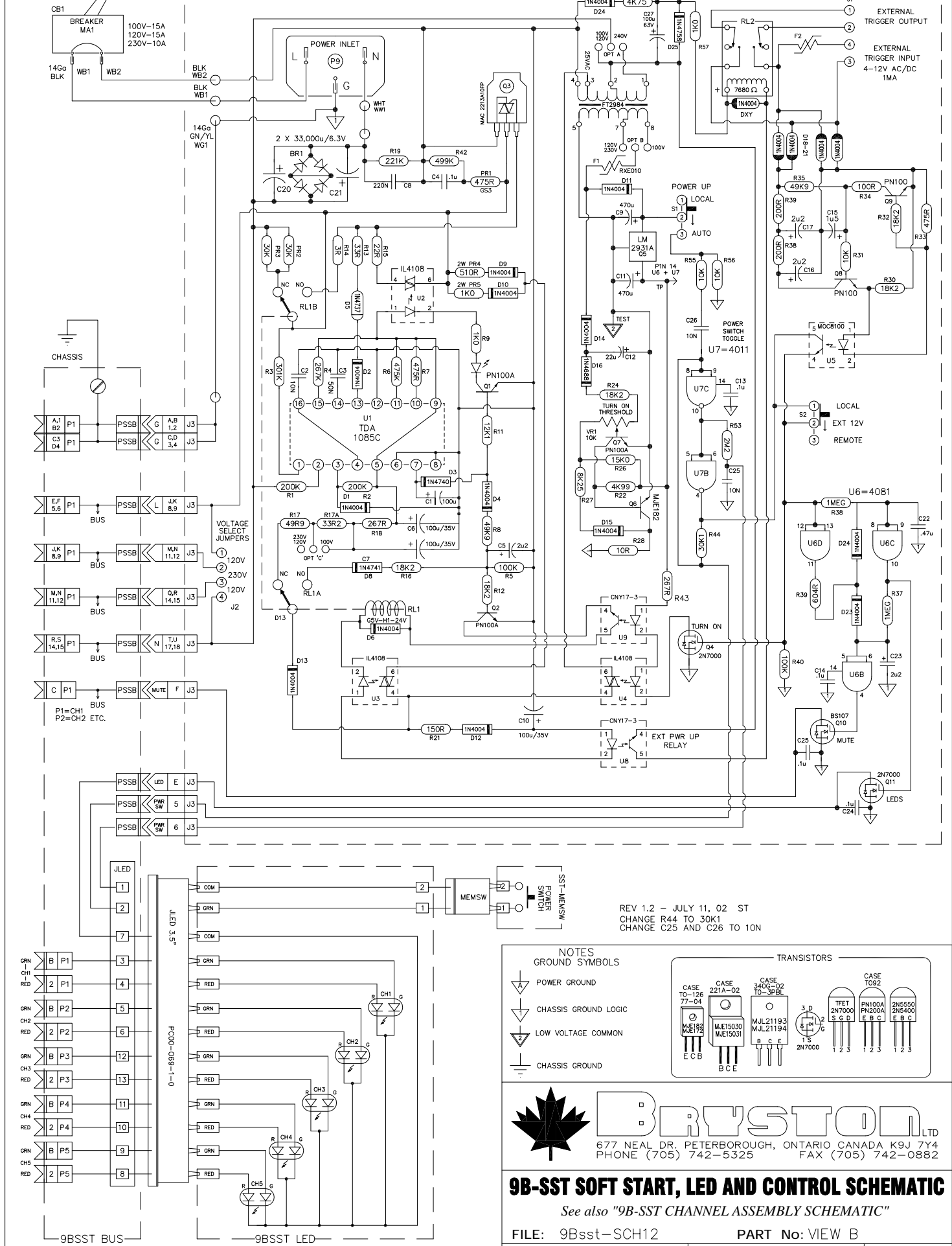
DATE: 23 MAY 2002

DWG BY: **ST**

REV: 12



9B-SST CHANNEL ASSEMBLY SCHEMATIC



REV 1.2 - JULY 11, 02 ST
 CHANGE R44 TO 30K1
 CHANGE C25 AND C26 TO 10N

NOTES
 GROUND SYMBOLS

- ⏏ POWER GROUND
- ⏏ CHASSIS GROUND LOGIC
- ⏏ LOW VOLTAGE COMMON
- ⏏ CHASSIS GROUND

TRANSISTORS

- Case TO-18 77-04: MJE182, MJE1503
- Case 340G-02 TO-3PBL: MJL21193, MJL21194
- Case TO92: 2N7000, 2N7001, 2N7002, 2N7003, 2N7004, 2N7005, 2N7006, 2N7007, 2N7008, 2N7009, 2N7010, 2N7011, 2N7012, 2N7013, 2N7014, 2N7015, 2N7016, 2N7017, 2N7018, 2N7019, 2N7020, 2N7021, 2N7022, 2N7023, 2N7024, 2N7025, 2N7026, 2N7027, 2N7028, 2N7029, 2N7030, 2N7031, 2N7032, 2N7033, 2N7034, 2N7035, 2N7036, 2N7037, 2N7038, 2N7039, 2N7040, 2N7041, 2N7042, 2N7043, 2N7044, 2N7045, 2N7046, 2N7047, 2N7048, 2N7049, 2N7050, 2N7051, 2N7052, 2N7053, 2N7054, 2N7055, 2N7056, 2N7057, 2N7058, 2N7059, 2N7060, 2N7061, 2N7062, 2N7063, 2N7064, 2N7065, 2N7066, 2N7067, 2N7068, 2N7069, 2N7070, 2N7071, 2N7072, 2N7073, 2N7074, 2N7075, 2N7076, 2N7077, 2N7078, 2N7079, 2N7080, 2N7081, 2N7082, 2N7083, 2N7084, 2N7085, 2N7086, 2N7087, 2N7088, 2N7089, 2N7090, 2N7091, 2N7092, 2N7093, 2N7094, 2N7095, 2N7096, 2N7097, 2N7098, 2N7099, 2N7100



BRYSTON LTD
 677 NEAL DR. PETERBOROUGH, ONTARIO CANADA K9J 7Y4
 PHONE (705) 742-5325 FAX (705) 742-0882

9B-SST SOFT START, LED AND CONTROL SCHEMATIC

See also "9B-SST CHANNEL ASSEMBLY SCHEMATIC"