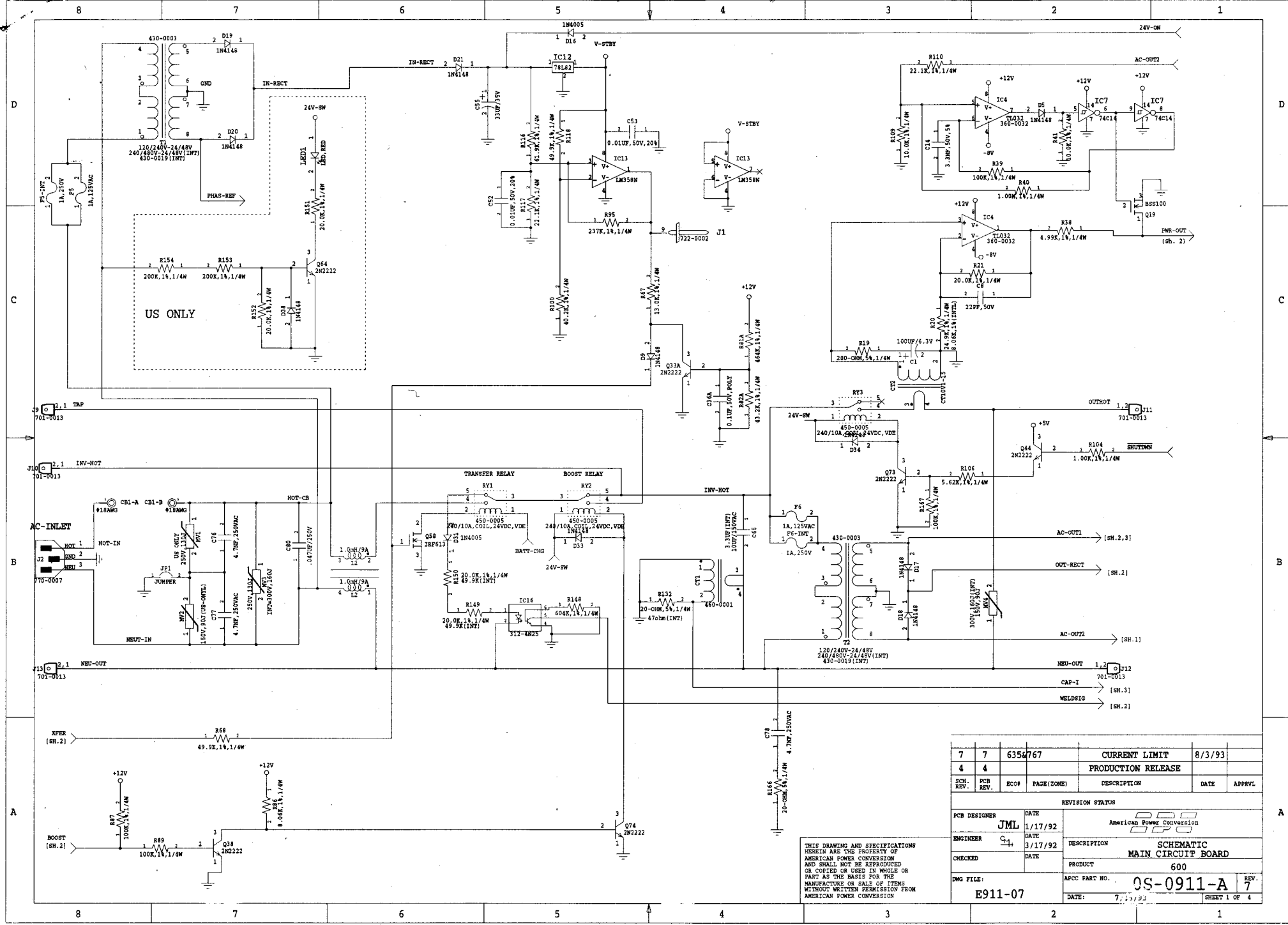
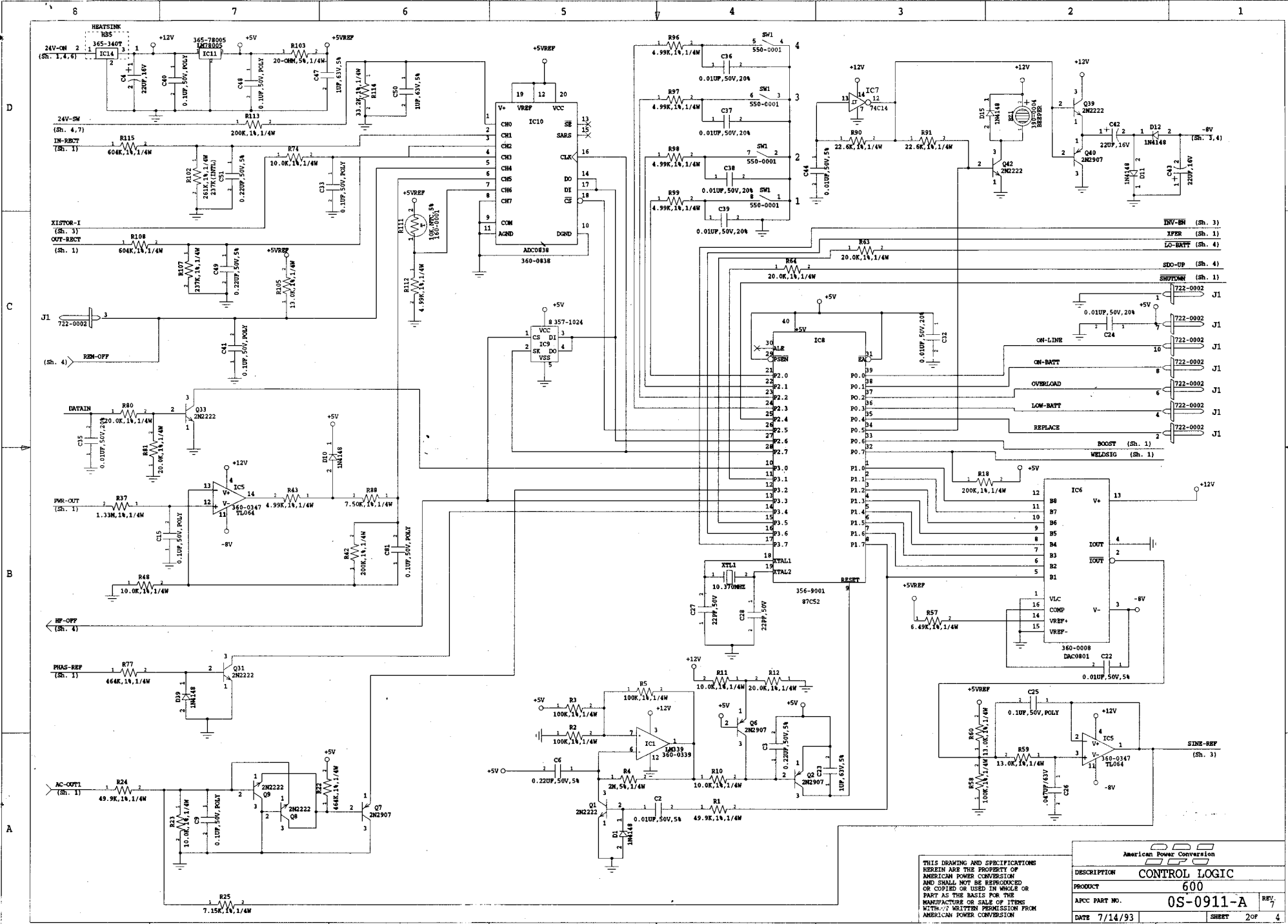


911-A REV 7



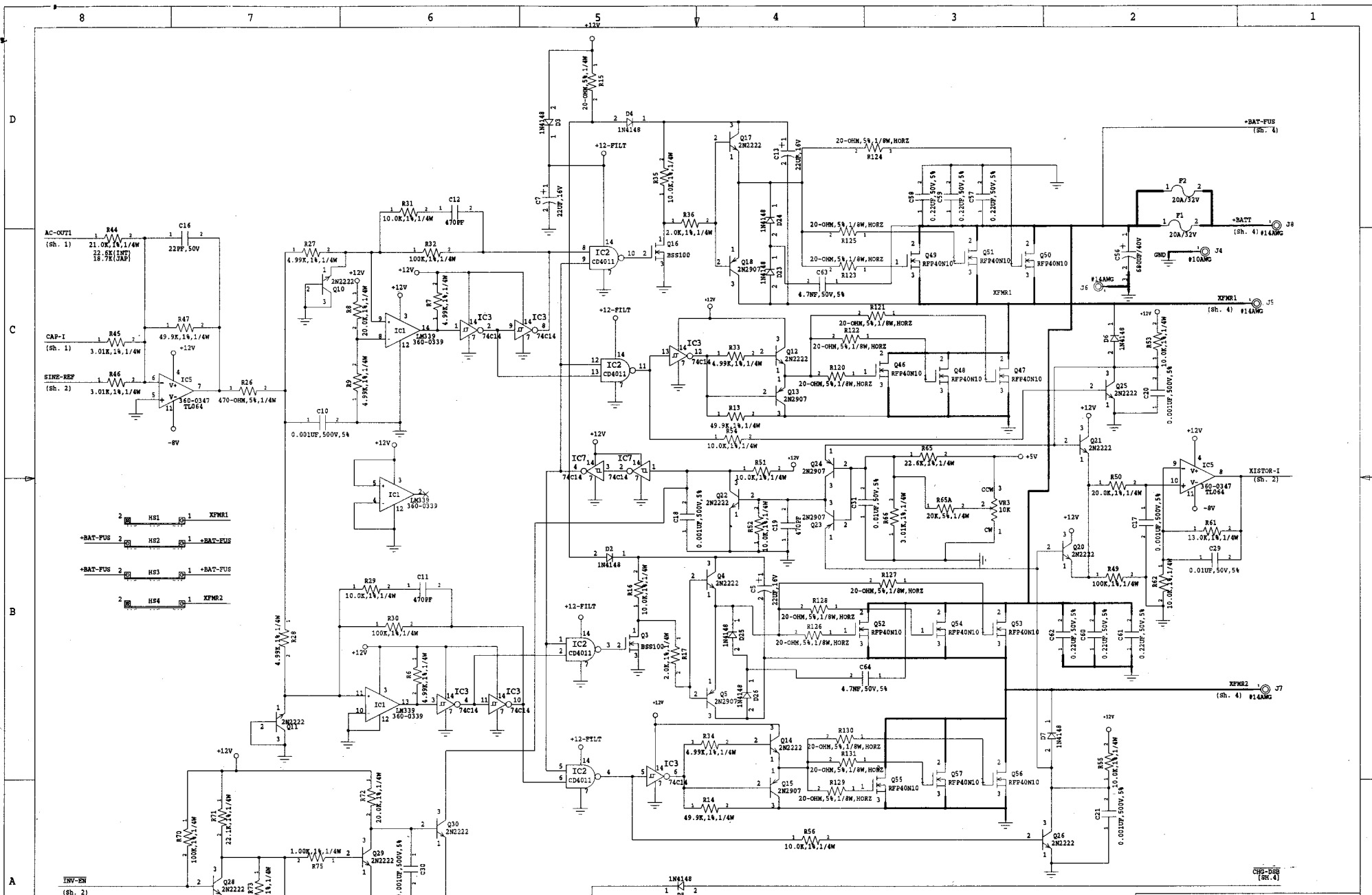
7	7	6354767	CURRENT LIMIT	8/3/93	
4	4		PRODUCTION RELEASE		
SCH. REV.	PCB REV.	ECO#	PAGE(ZONE)	DESCRIPTION	DATE
REVISION STATUS					
PCB DESIGNER	JML	DATE	1/17/92	American Power Conversion	
ENGINEER	CL	DATE	3/17/92	DESCRIPTION SCHEMATIC MAIN CIRCUIT BOARD	
CHECKED		DATE		PRODUCT 600	
DWG FILE:	E911-07	APCC PART NO.	OS-0911-A	REV.	7
		DATE:	7/15/93	SHEET	1 OF 4



American Power Conversion

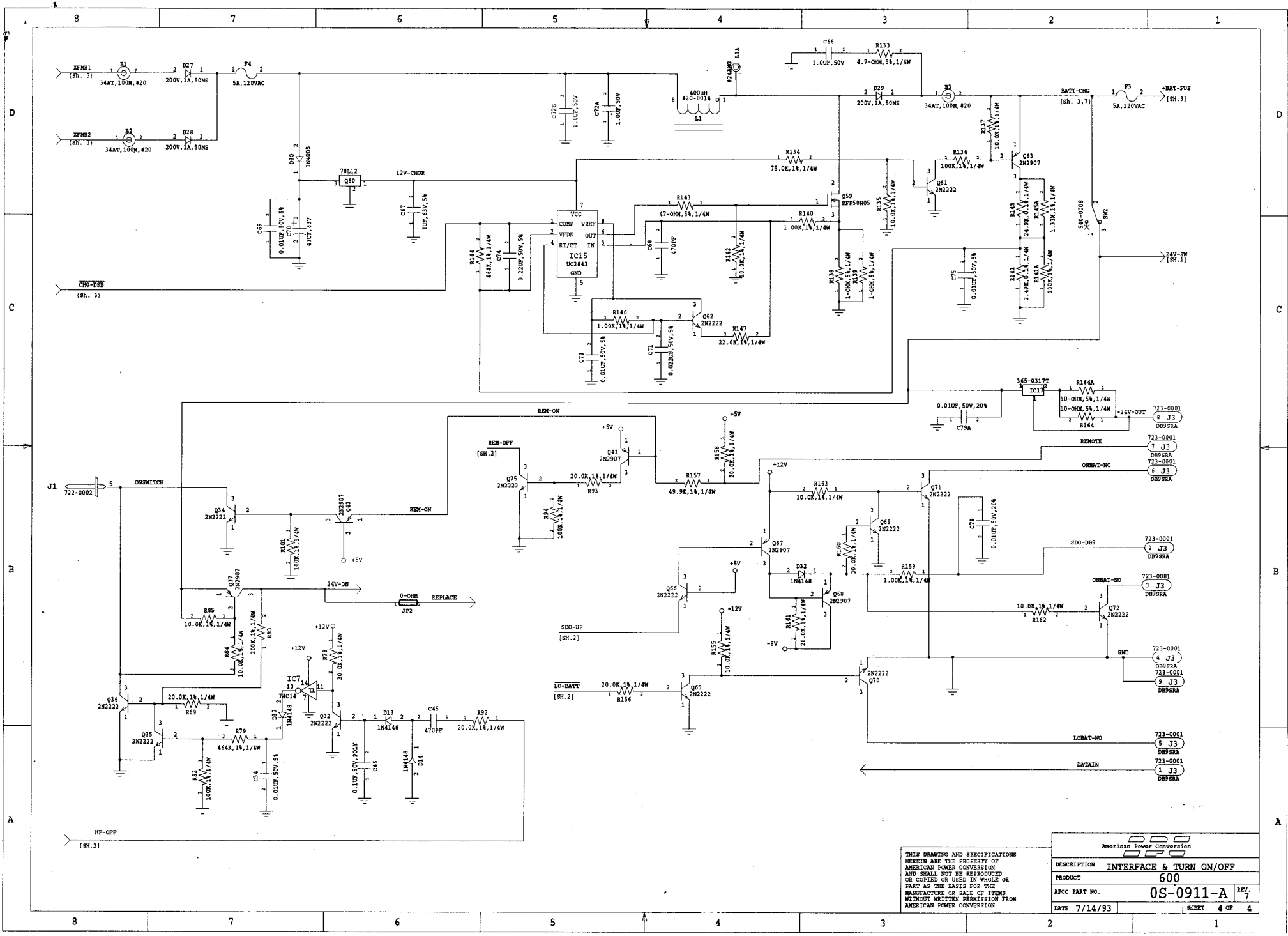
DESCRIPTION		CONTROL LOGIC	
PRODUCT		600	
APCC PART NO.		0S-0911-A	
DATE	7/14/93	SHEET	20F 4

THIS DRAWING AND SPECIFICATIONS HEREBY ARE THE PROPERTY OF AMERICAN POWER CONVERSION AND SHALL NOT BE REPRODUCED OR COPIED OR USED IN WHOLE OR PART AS THE BASIS FOR THE MANUFACTURE OR SALE OF ITEMS WITHOUT WRITTEN PERMISSION FROM AMERICAN POWER CONVERSION



THIS DRAWING AND SPECIFICATIONS
HEREIN ARE THE PROPERTY OF
AMERICAN POWER CONVERSION
AND SHALL NOT BE REPRODUCED
OR COPIED OR USED IN WHOLE OR
PART AS THE BASIS FOR THE
MANUFACTURE OR SALE OF ITEMS
WITHOUT WRITTEN PERMISSION FROM
AMERICAN POWER CONVERSION

American Power Conversion	
DESCRIPTION	INVERTER
PRODUCT	600
APCC PART NO.	OS-0911-A
DATE	7/14/93
SHEET	3 OF 4



American Power Conversion	
DESCRIPTION	INTERFACE & TURN ON/OFF
PRODUCT	600
APC PART NO.	0S-0911-A REV. 7
DATE	7/14/93
REV.	4 OF 4

THIS DRAWING AND SPECIFICATIONS HEREBY ARE THE PROPERTY OF AMERICAN POWER CONVERSION AND SHALL NOT BE REPRODUCED OR COPIED OR USED IN WHOLE OR PART AS THE BASIS FOR THE MANUFACTURE OR SALE OF ITEMS WITHOUT WRITTEN PERMISSION FROM AMERICAN POWER CONVERSION