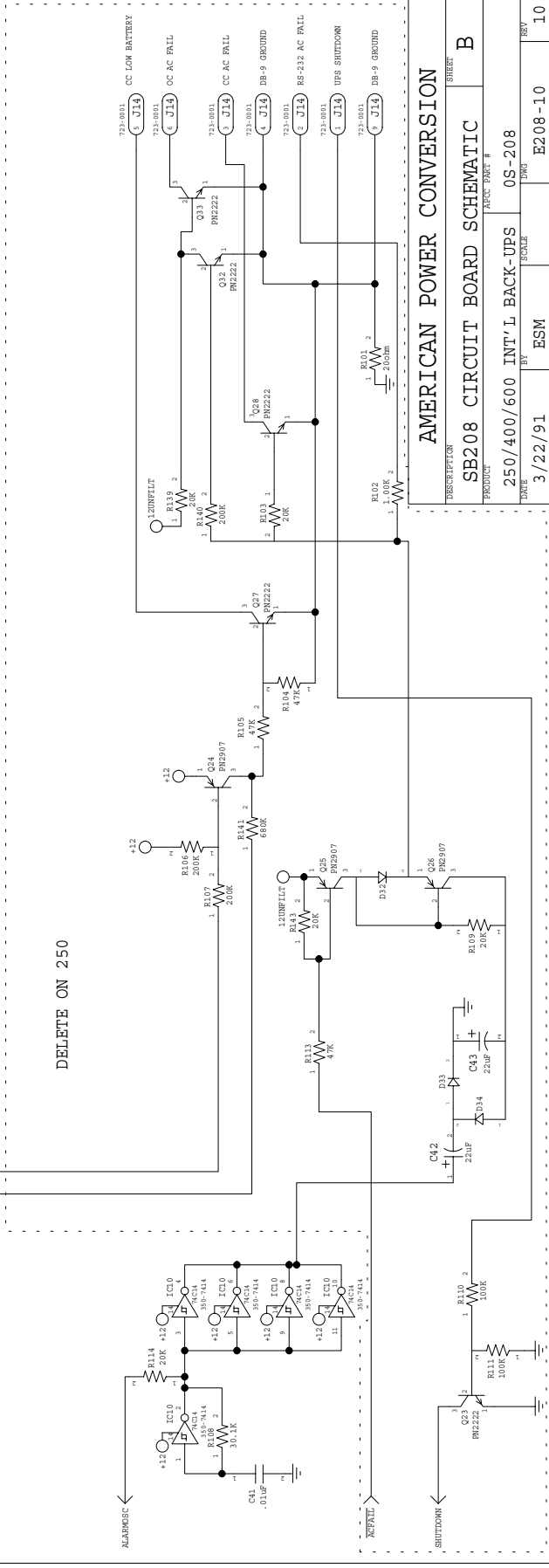
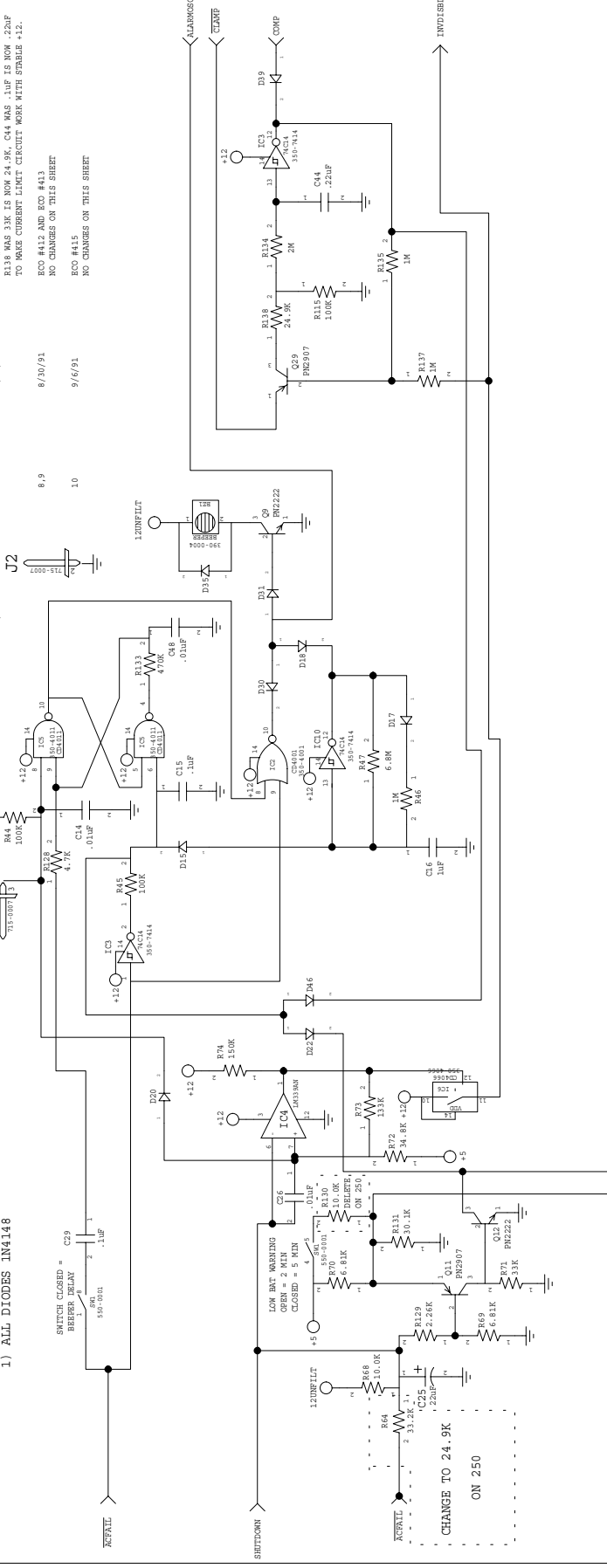


| REV # | DATE | REVISION |
|-------|---------|---|
| 7 | 7/17/91 | ECO #391 AND ECO #394 R138 WAS 33K IS NOW 24.9K, C44 WAS .1UF IS NOW .22UF TO HAVE CURRENT LIMIT CIRCUIT WORK WITH SENSORS +12. |
| 8, 9 | 8/30/91 | ECO #412 AND ECO #413 NO CHANGES ON THIS SHEET |
| 10 | 9/16/91 | ECO #415 NO CHANGES ON THIS SHEET |



| | |
|-------------|-------------------------------|
| DESCRIPTION | AMERICAN POWER CONVERSION |
| PRODUCT | SB208 CIRCUIT BOARD SCHEMATIC |
| DATE | 250/400/600 INT'L BACK-UPS |
| BY | ESM |
| SCALE | OS-208 |
| DWG | E208-10 |
| REV | 10 |

NOTES:
1) ALL DIODES 1N4148