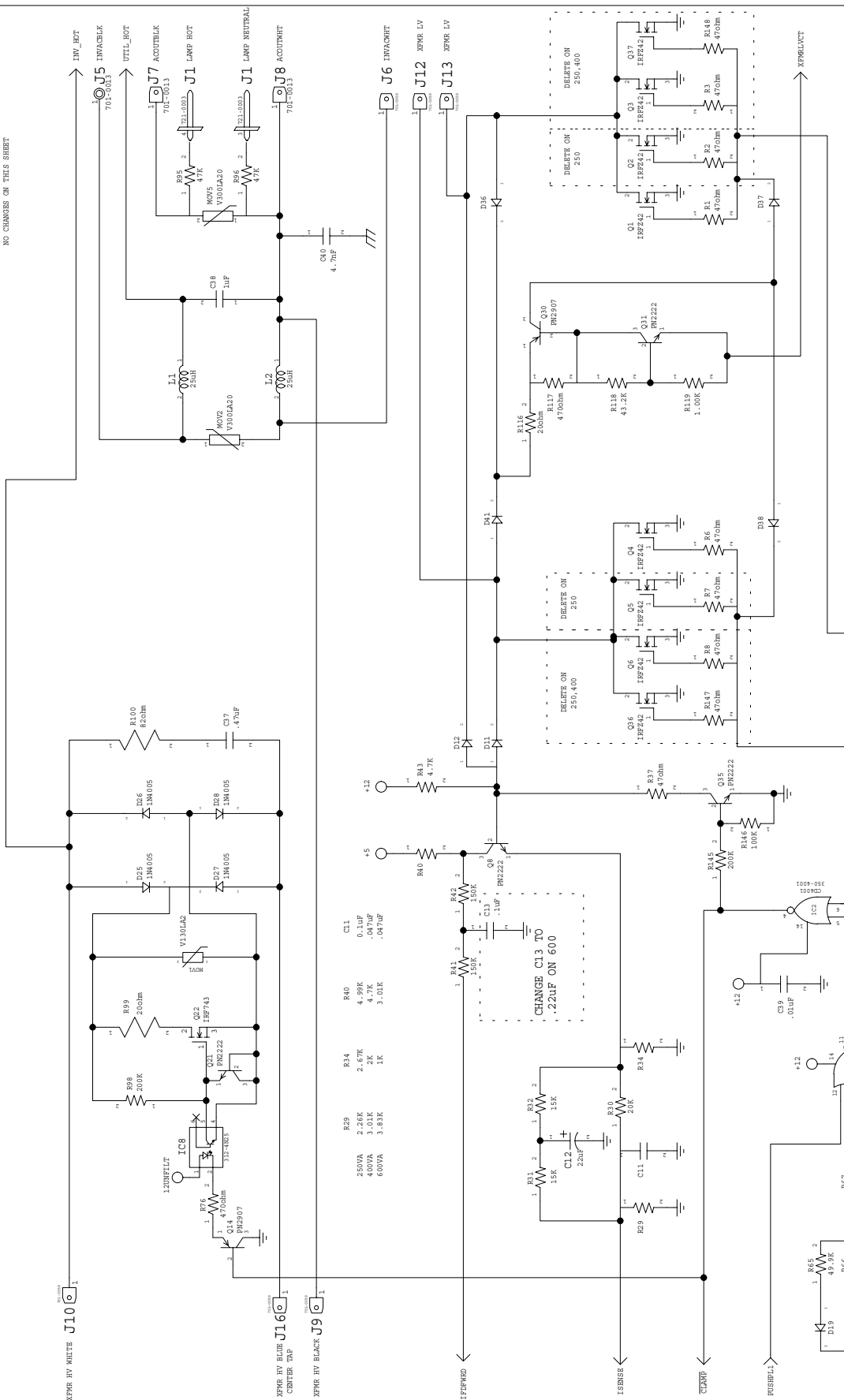


REV #	DATE	REVISION
7	7/17/91	ECO #194 AND ECO #94 NO CHANGES ON THIS SHEET
8,9	8/30/91	ECO #412 AND ECO #413 NO CHANGES ON THIS SHEET
10	9/6/91	ECO #415 NO CHANGES ON THIS SHEET

NOTES: 1) ALL DIODES IN4148 UNLESS MARKED.
 2) R99 IS MOUNTED TO CHASSIS, NOT CIRCUIT BOARD.
 LEAD WIRES SOLDER INTO CIRCUIT BOARD
 OR CONNECT TO BOARD VIA MTA HEADER AT
 R99A AND R99B.



AMERICAN POWER CONVERSION	
DESCRIPTION	SHREFF
SB208 CIRCUIT BOARD SCHEMATIC	C
PRODUCT	REC PART #
250/400/600 INT'L BACK-UPS	OS-208
DRAWN	BY
3/22/91	ESM
SCALE	IMG
E208-10	REV
	10