



Service Manual

Washing machine

Toploader

AWG 652/WP

Model Version	AWG 652/WP 8537 652 10850	Page
	Technical data	2
	Spare part list	3 - 4
	Exploded view	5 - 6
	Wiring diagram	7
	Circuit diagram	8
	Program diagram	9

Technical data

Dimension

Height	88	cm
Width	40	cm
Depth	60	cm

Weight

Weight net	65	kg
without packing	69	kg

Main connection

Voltage	230± 10%	V
Frequency	50	Hz
Power Consumption	2,2	kW
Fuse rating	10	A

Drum data

Washing	55	rpm
Spinning high	500	rpm

Capacity

Volume	43	l
Loading - washing max.	5	kg
		dry laundry

Heating

Type	Tubular radiator	
Rated power draft- washing	1,85	kW
Voltage	230	V

Drain-pump

Power consumption	~40	W
Capacity	11,5	l/min.
Rotation speed	~ 3000	rpm
Height of draing hose	max.1,00	m
	min. 0,55	m

Motor

Asynchronous 2/16

Capacitor

Capacity 16 μ F

Timer

Type EATON EC 4453
 The timer chart includes 2 basic programmes
 - normal washing
 - delicate washing & wool

Thermostat

C - a fixed thermostat 90 °C
 D - a temperature limiter 107 °C

Pressostat (without laundry)

Low level 9 ± 1 l
 High level ~22 l
 Anti mousse level 2 l
 Overflow level 30 l

Push button switch unit

On/off switch (with pilot lamp) 3 pol.
 Half load switch 1 pol.

Spare part list

Model
Service No.
Version

AWG 652/WP
853765210850
853765210850

Pos. No.	12NC Code	Description
001 0	4819 440 19493	Cabinet
002 0	4819 440 18975	Door
010 0	4819 459 48776	Frame
012 4	4819 528 78045	Roller rear
013 0	4819 462 48277	Foot, fix
022 0	4819 440 18976	Panel,side
025 0	4819 440 19651	Bracket
041 0	4819 417 19334	Hinge
053 0	4819 440 19142	Plinth
061 0	4819 466 88818	Counter weight front
061 1	4819 466 88978	Counter weight lower
061 2	4819 466 88752	Fastener
080 0	4819 529 18054	Shock absorber
100 0	4819 440 19608	Door cpl.
110 0	4819 498 69902	Handle,door
121 0	4819 440 19599	Door,inner
130 0	4819 535 78144	Pin Lock
141 0	4819 418 78964	Lid
143 0	4819 459 48602	Tub frame
200 0	4819 418 18275	Tub
201 0	4819 440 19606	Cover
220 0	4819 418 18311	Drum
223 0	4819 418 49713	Drum lifter
252 0	4819 404 49227	Clamp thermostat
252 1	4819 310 38541	Gasket Klixon
271 0	4819 358 18135	Belt
272 0	4819 528 88106	Pulley (drum)
272 1	4819 532 28263	Ring Cone 10 degrees
292 0	4819 532 68244	Gasket tub
301 0	4819 453 19819	Control panel CONTROL PANEL
303 0	4819 498 69853	Handle
331 0	4819 412 58374	Knob,timer
332 0	4819 410 28653	Push button
333 0	4819 410 28758	Button,push
401 0	4819 361 58047	Motor 2/16 pol.
420 0	4819 121 18112	Capacitor
421 0	4819 218 38018	Interf.filter
430 0	4819 360 18203	Pump,draining synchronus
451 0	4819 259 28459	Heating element 1850 W
451 2	4819 404 49558	Clamp Heating element
490 0	4819 321 18111	Cable,mains
491 0	4819 290 68113	Connectionblock
501 0	4819 282 18678	Timer
551 9	4819 282 48254	Thermostat 90 degree
567 0	4819 282 48071	Thermostat 107 degree
571 0	4819 281 28163	Valve,magnet
582 0	4819 271 28925	Pressostat
620 0	4819 276 18265	Switch
621 0	4819 276 18286	Switch
621 2	4819 404 78971	Lamp
633 0	4819 271 38149	Switch, door
633 1	4819 462 78707	Protector for door safety
701 0	4819 530 28522	Hose, inlet cold fill
702 0	4819 530 28896	Hose
710 0	4819 459 48615	Door,outer

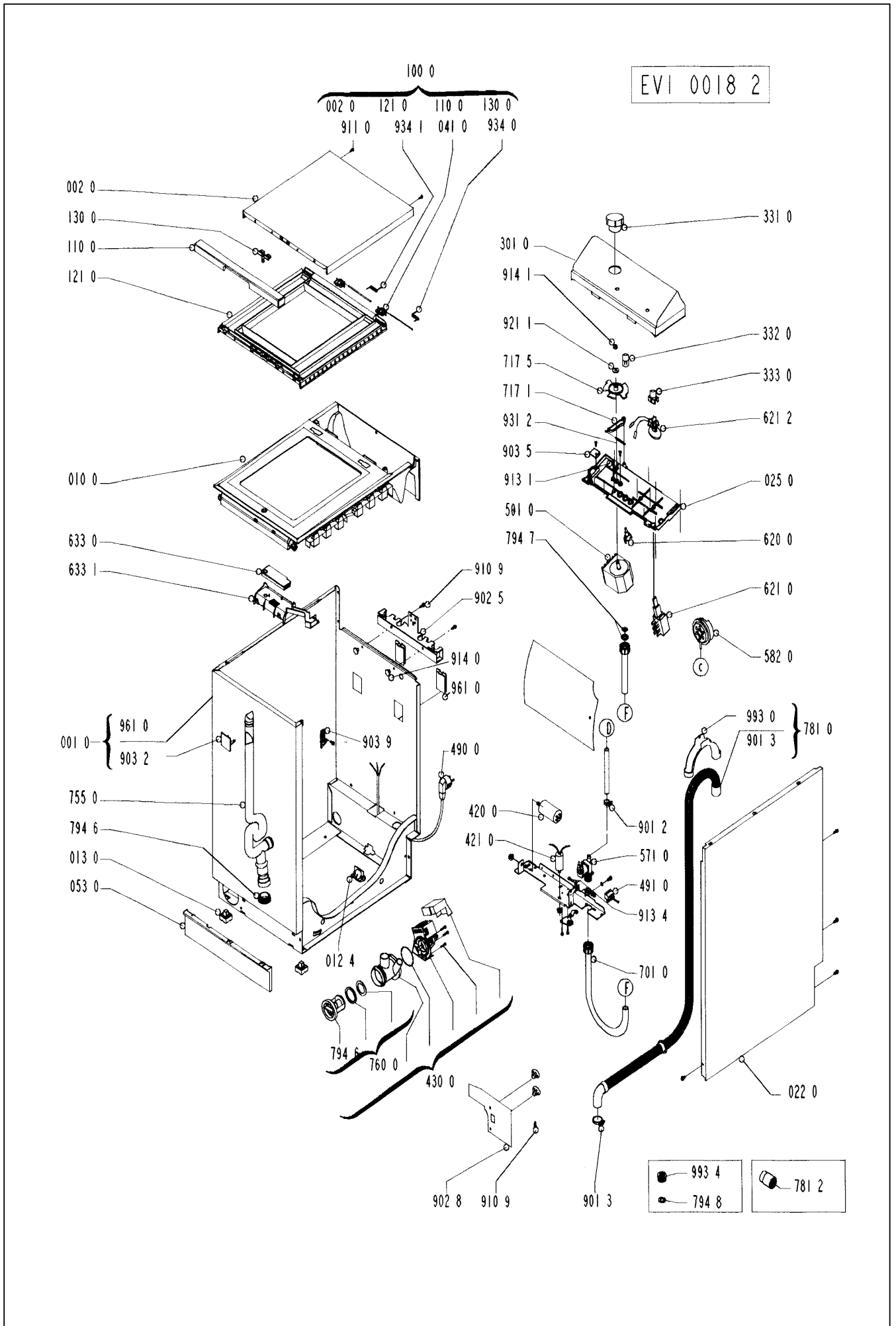
Pos. No.	12NC Code	Description
711 0	4819 418 78981	Door,tub
712 0	4819 440 19607	Door,inner
712 1	4819 535 98514	Shaft
712 2	4819 535 98278	Spring
717 0	4819 323 28009	Bowden cable
717 1	4819 466 98972	Rocker
717 5	4819 528 38432	Cam
753 0	4819 530 28811	Chamber,air
754 0	4819 530 28504	Drainhose inner Tub/Pump
755 0	4819 530 48443	Hose over flow
760 0	4819 360 78335	Cover pump body
781 0	4819 530 28783	Hose,draining
781 2	4819 532 68554	Sleeve hose
794 5	4819 530 58026	Gasket Air chamber
794 6	4819 530 58031	Gasket
794 7	4822 532 50428	Gasket
794 8	4819 532 58159	Gasket 1/2
901 0	4819 401 18764	Clamp
901 1	4819 492 68337	Strap
901 2	4819 401 18362	Strap SNP 8
901 3	4819 401 18563	Clamp,hose
901 5	4819 535 38038	Clip bearing
902 1	4819 401 18579	Bracket
902 5	4819 401 18572	Holder hose
902 8	4819 404 78396	Tube,stablizer over flow
903 2	4819 404 49431	Support overflow
903 3	4819 492 68338	Clip tub
903 5	4819 401 18585	Fastener sleeve
903 7	4819 492 68381	Clip
903 9	4819 404 49688	Support Top
910 0	4819 502 38231	Screw
910 1	4819 502 18417	Screw
910 5	4819 502 38265	Screw VAB 4,5x20
910 9	4819 502 18343	Screw TF 5x30
911 0	4819 502 38235	Screw TC N 6x1/2
911 2	4819 502 38232	Screw TF 4x20
911 4	4819 502 38289	Screw
911 5	4819 502 18202	Screw CHC 6x25
912 0	4819 500 18108	Screw TH 8x60
912 7	4819 502 18209	Screw JAPY 8x160
912 8	4819 502 18208	Screw JAPY 8x110
913 1	4819 502 18206	Screw TF 4x12
913 4	4819 502 18211	Screw earth
914 0	4819 532 68363	Fastener
914 1	4819 505 18283	Nut M 5
915 1	4822 505 10547	Nut
921 1	4819 532 18147	Washer 5,2 x 16
923 0	4819 532 38095	Disc
923 5	4822 505 10148	Washer
923 6	4819 532 58107	Washer 8,3 x 30
923 7	4819 532 18174	Small plate
931 2	4819 492 38084	Spring Slide
932 3	4819 492 48131	Spring
934 0	4819 492 48125	Spring right
934 1	4819 492 48124	Spring left

Spare part list

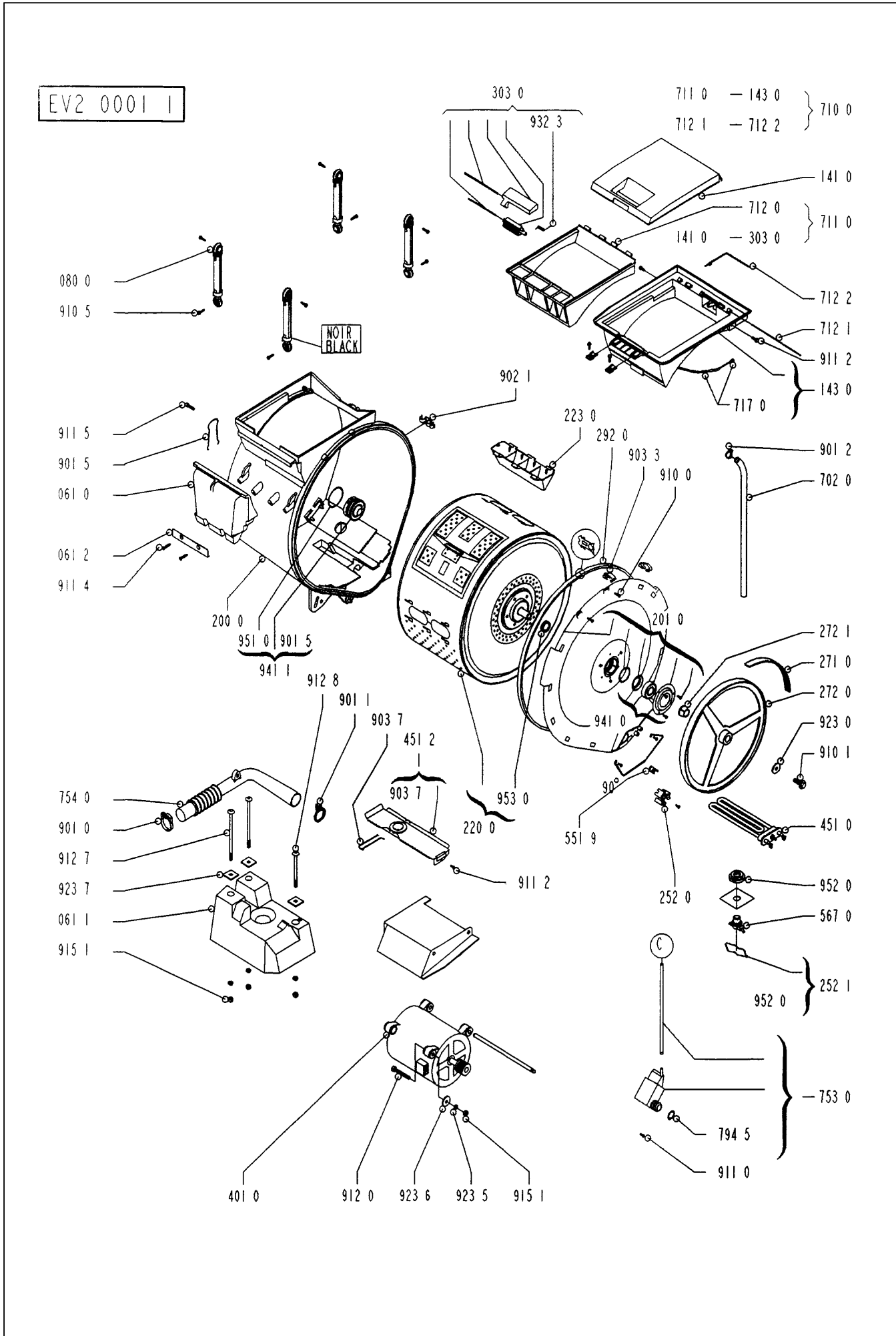
Model AWG 652/WP
Service No. 853765210850
Version 853765210850

Pos. No.	12NC Code	Description
941 0	4819 520 28029	Bearing, kit
941 1	4819 520 28026	Bearing
951 0	4819 530 58029	Gasket
952 0	4819 325 68014	Gasket
953 0	4819 325 68041	Gasket V25
961 0	4819 440 19472	Shutter
993 0	4819 401 18581	Bow
993 4	4819 526 48128	Adapter

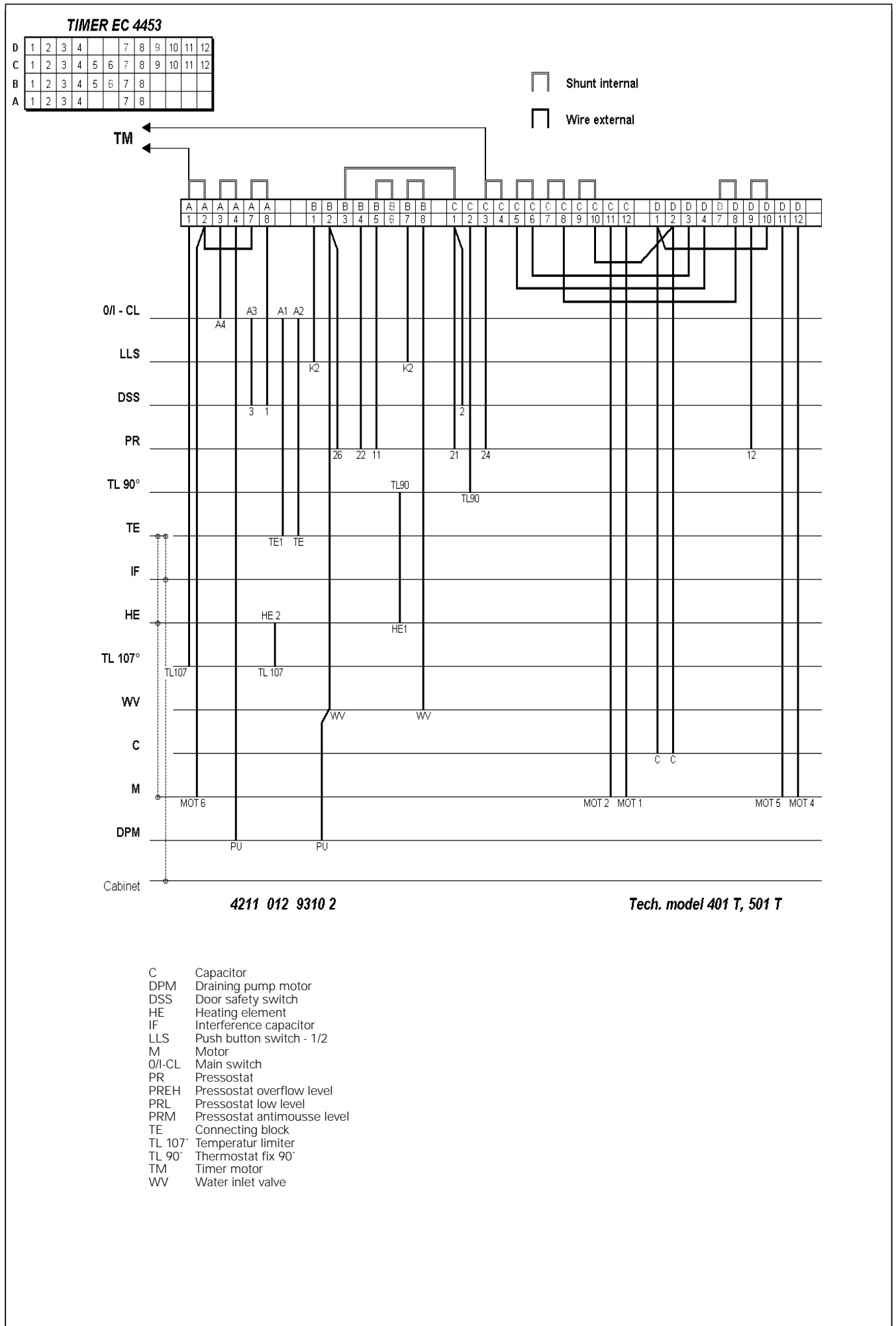
Exploded view



Exploded view



Wiring diagram



Circuit diagram

