

DV Electronics

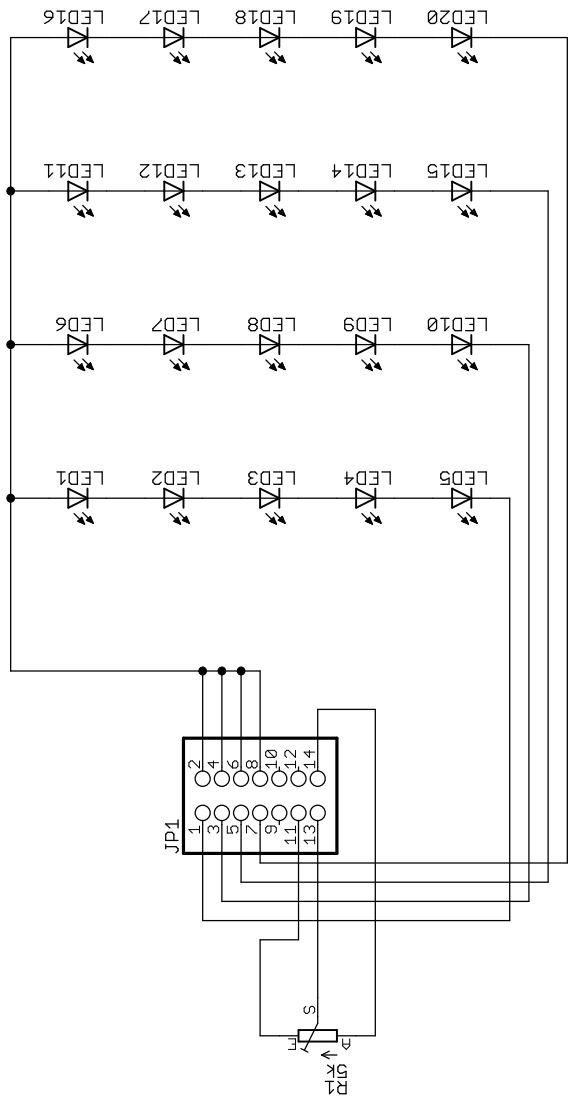
TITLE: rlight2u

Document Number:

REV:

Date: 12/12/2010 12:57:22 p.m.

Sheet: 1/1



TITLE: 5x4led

Document Number:

REV:

Date: 12/12/2010 01:04:07 p.m.

Sheet: 1/1

