

SX-5032

CRYSTAL

SMD



TYPICAL APPLICATIONS

Cellular Telephones, PHS, Cordless Telephones and Pagers, WLAN, Bluetooth, Hand-Held Products

FEATURES

Ultra-thin, Ceramic SMD Package, Seam Sealed, Lead-free Design, Tight Tolerance and Stability, Reflow Soldering, Emboss Taping, RoHS Compliant Standard

DIMENSIONS

5.0x3.2x0.7[mm]



TYPICAL SPECIFICATIONS

Model	SX-5032	
Nominal Frequency Range	10.000~50.000MHz	
Standard Frequency	10.000, 11.000, 12.000, 25.000MHz	
Vibration Mode	Fundamental [AT]	
Frequency Tolerance (@ +25°C)	±10 ppm	
Freq. Temp. Characteristics (Ref. to 25°C)	±10 ppm	±15 ppm
Operating Temperature Range	-10°C~+60°C	-30°C~+85°C
Storage Temperature Range	-40°C~+90°C	
Load Capacitance	Series, 10pF, 12pF, 16pF	
Shunt Capacitance	5pF Max.	
Drive Level	10μW (100μW Max.)	
Equivalent Series Resistance	See Table 1	
Aging (+25°C)	±1, ±3 ppm/ year Max.	

Please consult with our sales department for other parameters.

*Package quantity 1,000 pcs max./reel.

OUTLINE DIMENSIONS

Unit:mm

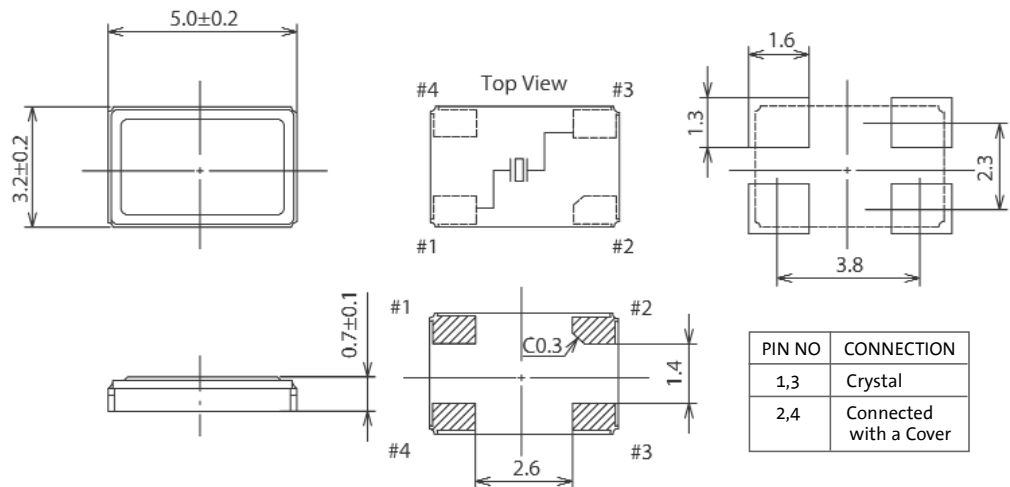


TABLE 1: ESR

AT-cut Fundamental	
Frequency (MHz)	ESR(Ω)
10.000 ~ 10.999	60
11.000 ~ 11.999	50
12.000 ~ 24.999	40
25.000 ~ 50.000	30

All specifications are subject to change without notice.