

1

2

3

4

RevNo	Revision note	Date	Signature	Checked
-------	---------------	------	-----------	---------

A

A

B

B

C

C

D

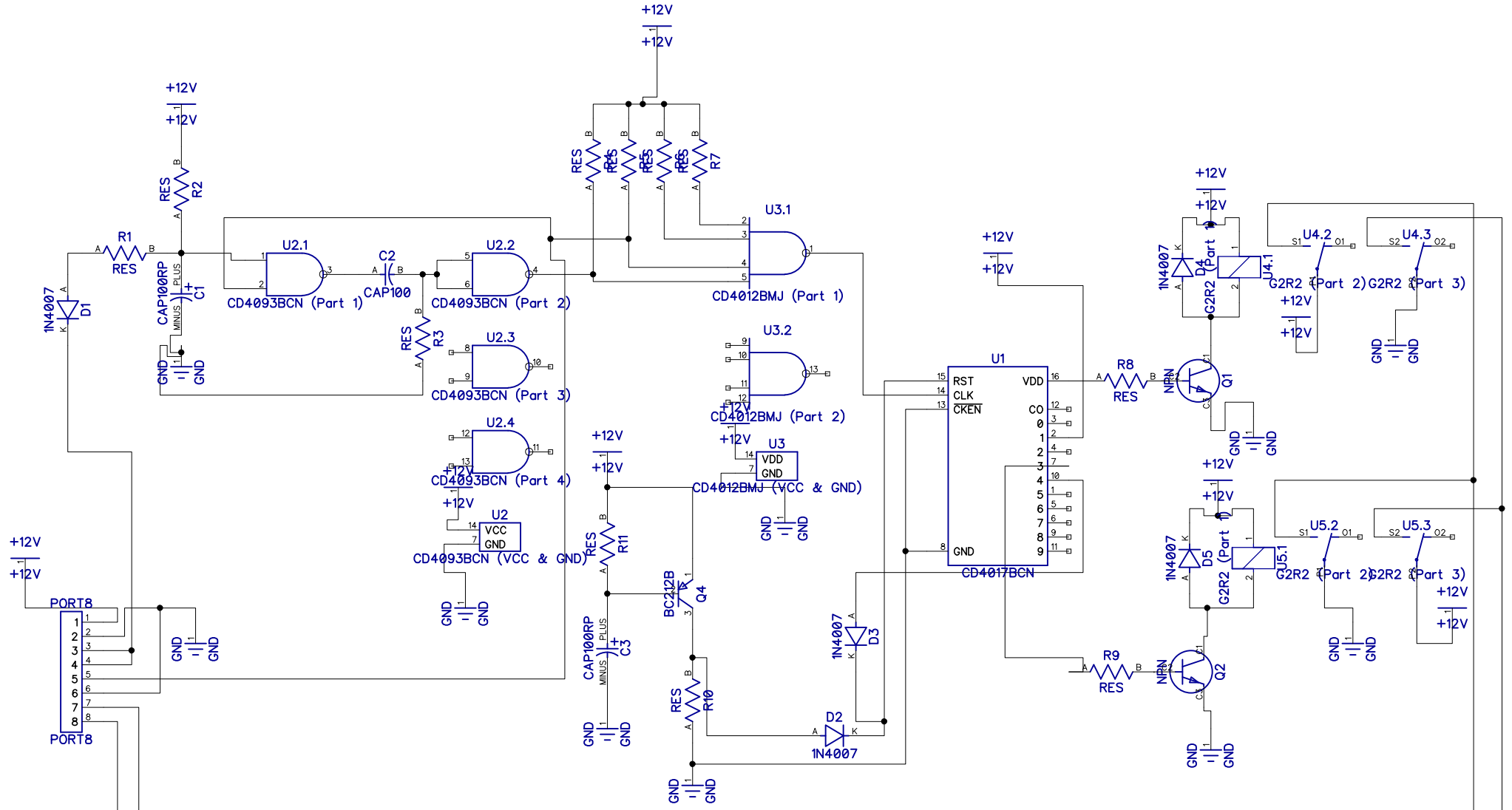
D

E

E

F

F



Itemref	Quantity	Title/Name, designation, material, dimension etc	Article No./Reference
---------	----------	--	-----------------------

Designed by	Checked by	Approved by - date - 00/00/00	File name	Date 00/00/00	Scale 1:1
-------------	------------	----------------------------------	-----------	------------------	--------------

			Edition 0		Sheet 1/1

1

2

3

4