

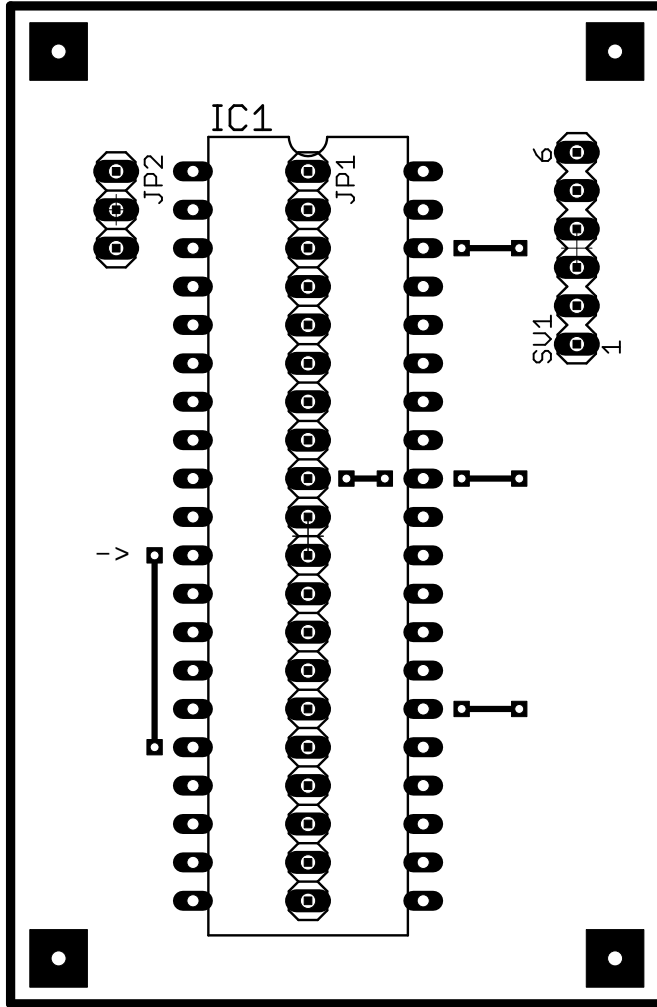
DV Electronics

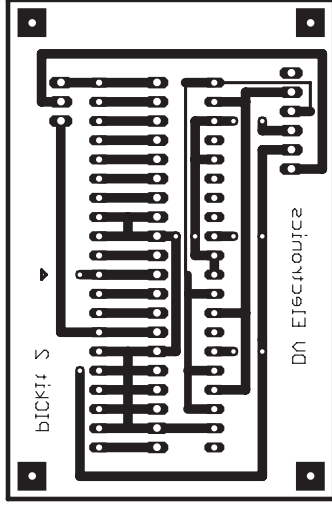
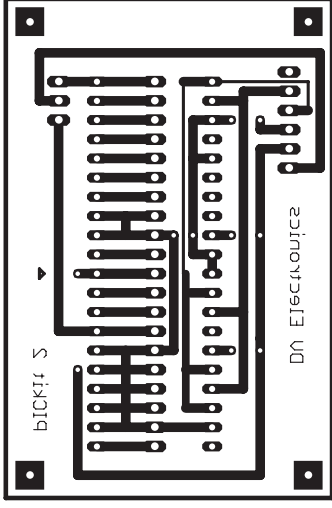
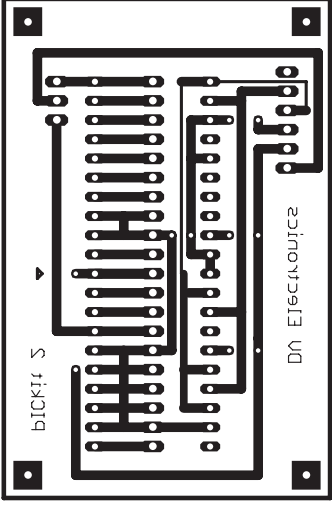
TITLE: progsocket

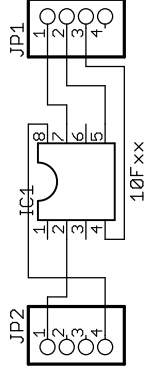
Document Number:
PK2, PK3 Prog. Socket

REV:

Date: 23/05/2010 11:48:12 a.m. Sheet: 1/1





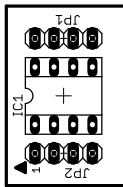


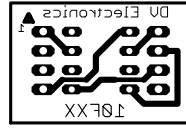
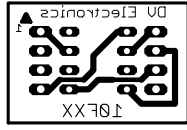
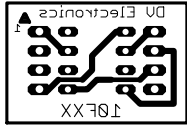
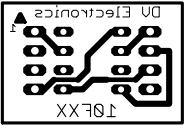
DV Electronics

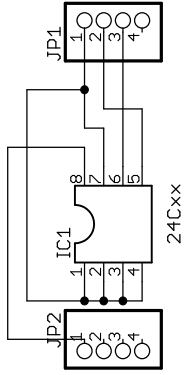
TITLE: 10fxxsoc

Document Number: 24CXX Piggyback for Multipic
 REV: 1

Date: 13/07/2007 06:36:54 p.m. Sheet: 1/1







DV Electronics

TITLE: 24EEPROMSOC

Document Number: 24CXX Piggyback for Multipic
 REV: 1

Date: 24/05/2007 04:09:00 p.m. Sheet: 1/1

