

## 5) Schéma Electrique :

Schéma 1 : Générateur PWM

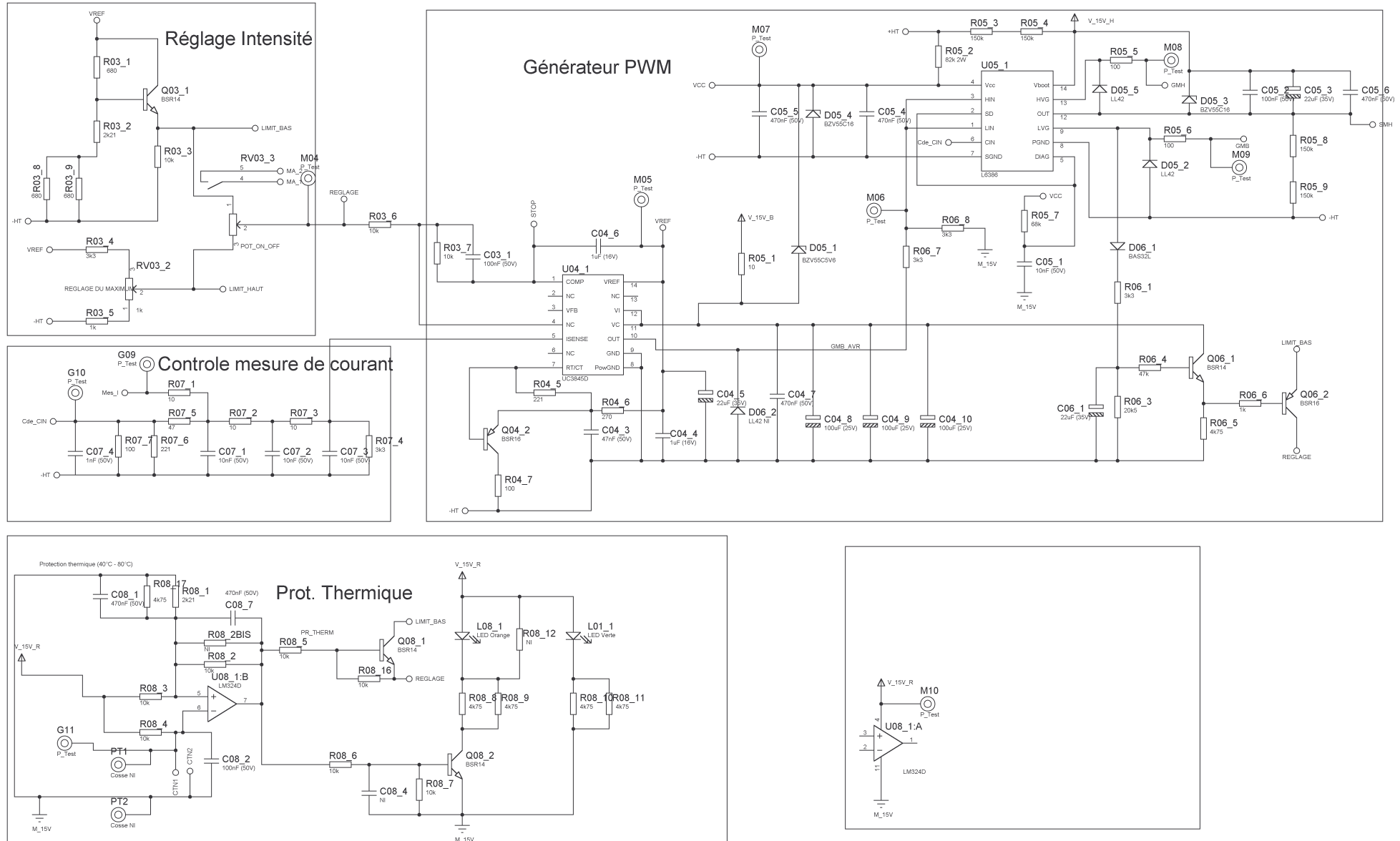
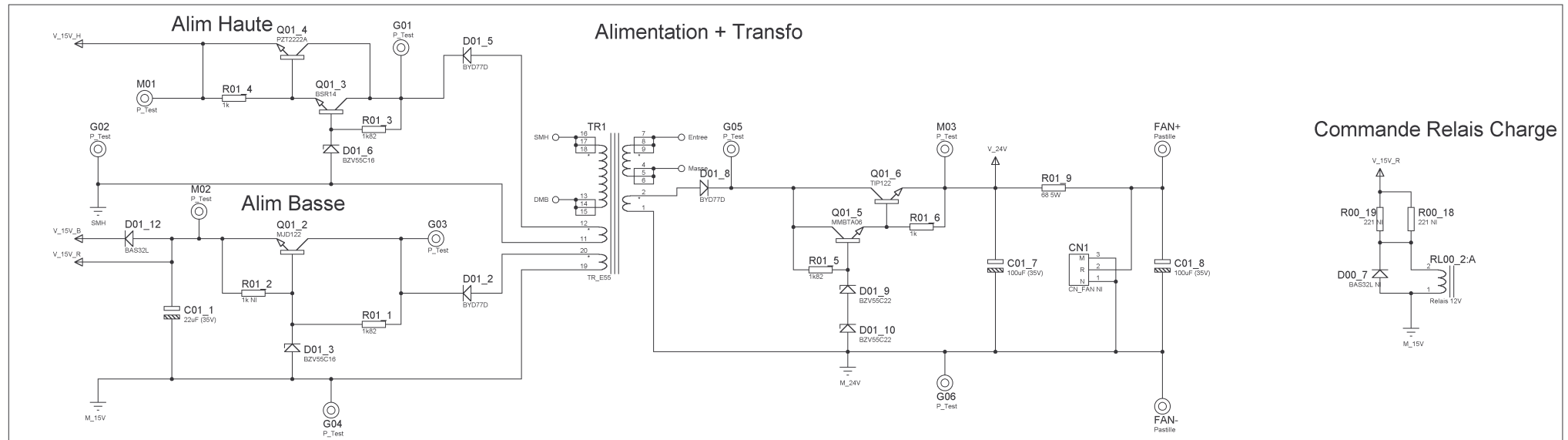
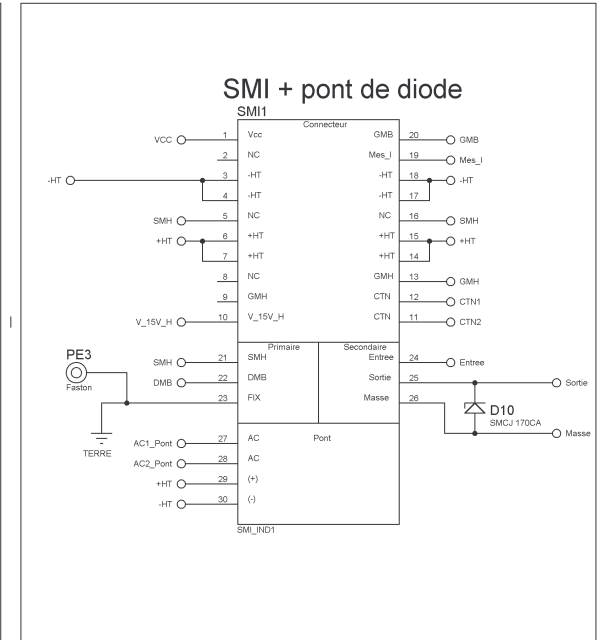
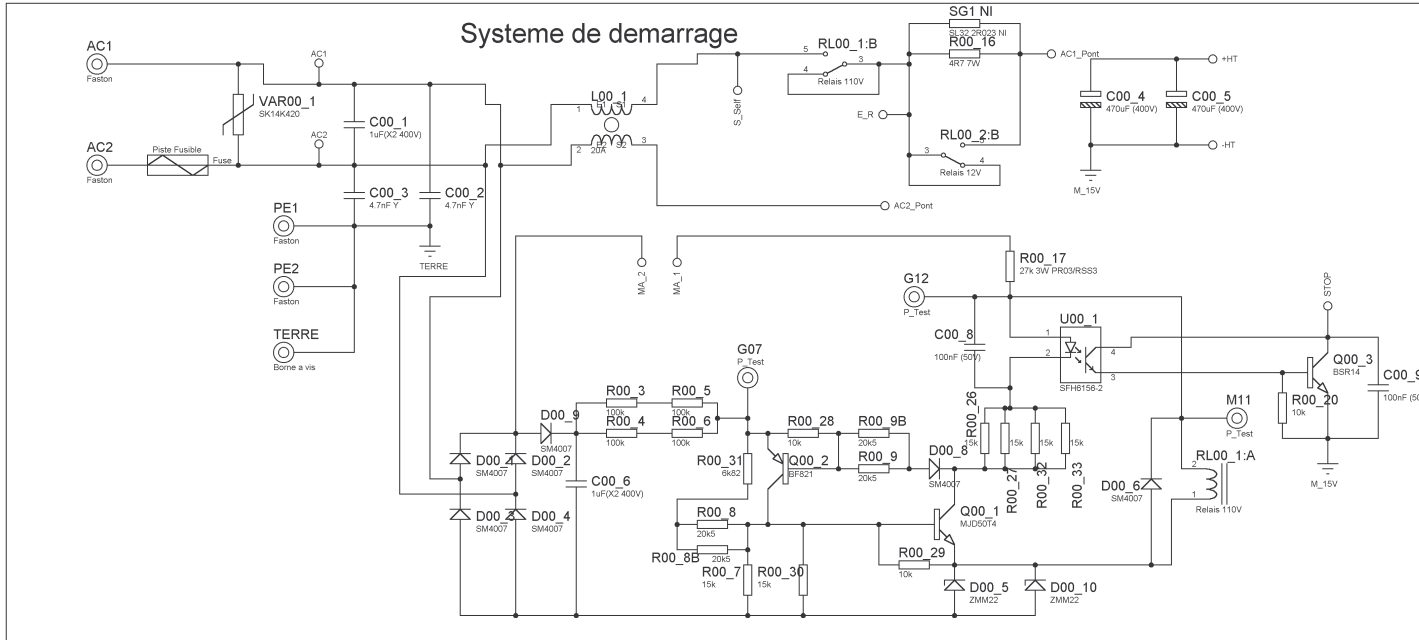


Schéma 2 : Alimentation + transfo + système de démarrage.



### 6) Repère des composants et points de Test sur la carte principal



## 7) Liste des composants implantés sur le PCB.

QTY	PART-REFS	VALUE	REFGYS
---	-----	-----	-----
Resistors			
-----			
4	R00_3, R00_4, R00_5, R00_6	100k	64040
6	R00_7, R00_26, R00_27, R00_30, R00_32, R00_33	15k	64037
5	R00_8, R00_8B, R00_9, R00_9B, R06_3	20k5	64039
1	R00_16	4R7 7W	64121
1	R00_17	27k 3W PR03/RSS	64253
2	R00_18, R00_19	221 NI	64035 NI
13	R00_20, R00_28, R00_29, R03_3, R03_6, R03_7, R08_2, R08_3, R08_4, R08_5, R08_6, R08_7, R08_16	10k	64048
1	R00_31	6k82	64043
3	R01_1, R01_3, R01_5	1k82	64009
1	R01_2	1k NI	64004 NI
4	R01_4, R01_6, R03_5, R06_6	1k	64004
1	R01_9	68 5W	63133
3	R03_1, R03_8, R03_9	680	64003
2	R03_2, R08_1	2k21	64010
5	R03_4, R06_1, R06_7, R06_8, R07_4	3k3	64021
2	R04_5, R07_6	221	64035
1	R04_6	270	64252
4	R04_7, R05_5, R05_6, R07_7	100	64015
4	R05_1, R07_1, R07_2, R07_3	10	64012
1	R05_2	82k 2W	63031
4	R05_3, R05_4, R05_8, R05_9	150k	64020
1	R05_7	68k	64053
1	R06_4	47k	64033
6	R06_5, R08_8, R08_9, R08_10, R08_11, R08_17	4k75	64013
1	R07_5	47	64018
2	R08_2BIS, R08_12	NI	NI
Capacitors			
-----			
2	C00_1, C00_6	1uF (X2 400V)	63462
2	C00_2, C00_3	4.7nF Y	63461
2	C00_4, C00_5	470uF (400V)	63447
5	C00_8, C00_9, C03_1, C05_2, C08_2	100nF (50V)	64006
4	C01_1, C04_5, C05_3, C06_1	22uF (35V)	64050
2	C01_7, C01_8	100uF (35V)	63364
1	C04_3	47nF (50V)	63457
2	C04_4, C04_6	1uF (16V)	64029
6	C04_7, C05_4, C05_5, C05_6, C08_1, C08_7	470nF (50V)	64028
3	C04_8, C04_9, C04_10	100uF (25V)	64051

4	C05_1, C07_1, C07_2, C07_3	10nF (50V)	64007
1	C07_4	1nF (50V)	64008
1	C08_4	NI	NI

Integrated Circuits

1	U00_1	SFH6156-2	64055
1	U04_1	UC3845D	64057
1	U05_1	L6386	64079
1	U08_1	LM324D	64054

Transistors

1	Q00_1	MJD50T4	64071
1	Q00_2	BF821	64073
6	Q00_3, Q01_3, Q03_1, Q06_1, Q08_1, Q08_2	BSR14	64002
1	Q01_2	MJD122	64052
1	Q01_4	PZT2222A	64106
1	Q01_5	MMBTA06	64070
1	Q01_6	TIP122	63449
2	Q04_2, Q06_2	BSR16	64001

Diodes

7	D00_1, D00_2, D00_3, D00_4, D00_6, D00_8, D00_9	SM4007	64030
2	D00_5, D00_10	ZMM22	64031
1	D00_7	BAS32L NI	64014 NI
3	D01_2, D01_5, D01_8	BYD77D	64000
4	D01_3, D01_6, D05_3, D05_4	BZV55C16	64023
2	D01_9, D01_10	BZV55C22	64031
2	D01_12, D06_1	BAS32L	64014
1	D05_1	BZV55C5V6	64036
2	D05_2, D05_5	LL42	64026
1	D06_2	LL42 NI	64026 NI
1	D10	SMCJ 170CA	64117

Relay

1	RL00_1	Relais 110V	52617
1	RL00_2	Relais 12V	52669

Resistor var

1	RV03_2	1k	63086
1	RV03_3	POT_ON_OFF	63087

Miscellaneous

1	L00_1	20A	63667
1	L01_1	LED Verte	63327
1	L08_1	LED Orange	63328
1	SG	SG110 (32A)	63280
1	PONT		64095

1	VAR00_1	SK14K420	63446
1	Ventilateur	24V 6.3W 92*92*25	51032