

Fiat Brava/Bravo wiring diagrams 1995 to 1999

Key to circuits

Diagram 1 Key to symbols

Diagram 2 Starting and charging, engine cooling fan, horn, heated rear window, interior ventilation

Diagram 3 Front and rear screen wash/wipe, headlight wash, Hazard warning lights

Diagram 4 Direction indicators, brake lights, reversing lights

Diagram 5 Exterior lights, anti-lock braking system

Diagram 6 Fog lights - front and rear, electric windows (front)

Diagram 7 Cigarette lighter, headlight alignment, high level radio

Diagram 8 Interior lighting, sun roof, heated and adjustable rear view mirrors




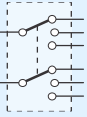










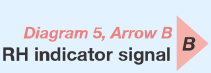
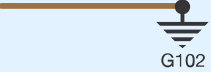

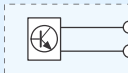

Diagram 9 Weber IAW ignition and injection system (1.6 SX,ELX,HLX)

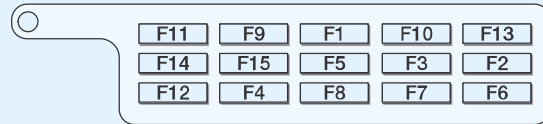
Diagram 10 Bosch Mono Motronic ignition and injection system (1.4 S, SX, Team,80)

Diagram 11 Instrument panel

Fiat Brava/Bravo wiring diagrams 1995 to 1999

Key to symbols

	Item number
	Bulb
	Switch
	Multiple contact switch (ganged)
	Fuse/ fusible link
	Solenoid actuator
	Resistor
	Variable resistor
	Internal connection in a component
	Block connection, detachable
	Wire connection, fixed
	Wire colour (green wire with yellow tracer)
	Interconnecting line (thin line)
	Denotes alternative wiring variation
	Connections to other circuits
	Earth point with location code
	Pump/motor
	Dashed outline denotes part of a larger item, containing in this case an electronic or solid state device
	Gauge/meter



Fuse holder

Fuse allocation

1	15A	Exterior lights - Reversing, stop, direction indicators electric windows, air bag, ABS
2	10A	Front RH side light, rear LH light, RH number plate light, radio lighting, instrument panel lighting, switch panel lighting
3	10A	Front LH side light, heater/air conditioner controls lighting, rear RH light, LH number plate light
4	10A	LH dipped beam
5	10A	RH dipped beam, headlamp adjusters
6	10A	RH main beam
7	10A	LH main beam, main beam warning light
8	10A	Rear fog lamps
9	10A	Hazard warning lights
10	15A	Courtesy light, luggage compartment light, clock, radio, glove compartment light
11	20A	Heated rear window and warning light, heated mirrors
12	-	-
13	20A	Horns
14	20A	Front and rear screen wash/wipe, headlight washer
15	20A	Interior ventilation fan, radiator fan, cigar lighter

Index to diagrams

2	Starting and charging, engine cooling fan, horn, heated rear window, interior ventilation
3	Front and rear screen wash/wipe, headlight wash, Hazard warning lights
4	Direction indicators, brake lights, reversing lights
5	Exterior lights, anti-lock braking system
6	Fog lights - front and rear, electric windows (front)
7	Cigarette lighter, headlight alignment, high level radio
8	Interior lighting, sun roof, heated and adjustable rear view mirrors
9	Weber IAW ignition and injection system (1.6 SX,ELX,HLX)
10	Bosch Mono Motronic ignition and injection system (1.4 S, SX, Team,80)

Earth locations

E1	Battery earth on bodyshell
E2	Left front earth
E3	Left dashboard earth
E4	Right front earth
E5	Left rear earth
E6	Right rear earth
E7	Right dashboard earth
E8	Earth for electronic injection
E9	Earth for electronic ignition

Wire colours

W	White	O	Orange
R	Red	Lb	Light blue
Y	Yellow		
Br	Brown		
P	Pink		
Bl	Blue		
Gr	Grey		
G	Green		
B	Black		
V	Violet		

Small
H31693

Key to items

- 1 Battery
- 2 Power fuse box
- B 40A fuse for ignition system
- D 80A fuse for junction unit
- 3 Starter motor
- 4 Alternator
- 5 Ignition switch
- 6 Engine cooling fan fuse 40/50A
- 7 Engine cooling fan
- 8 Thermostat switch on radiator
- 9 Steering column switch unit
- 10 Junction unit
- R1 Ignition relay
- R2 Horn relay
- R3 Heated rear window relay
- 11 Fan speed switch
- 12 Fan speed resistors
- 13 Climate control fan
- 14 Heater unit light bulbs
- 15 Horns

Diagram 2

- 16 Heated rear window
- 17 Switch control panel
- Heated rear window switch with warning light
- 18 Contact board for rear connections

Starting and charging

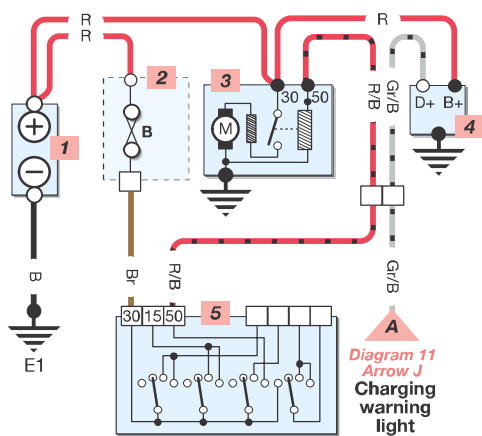
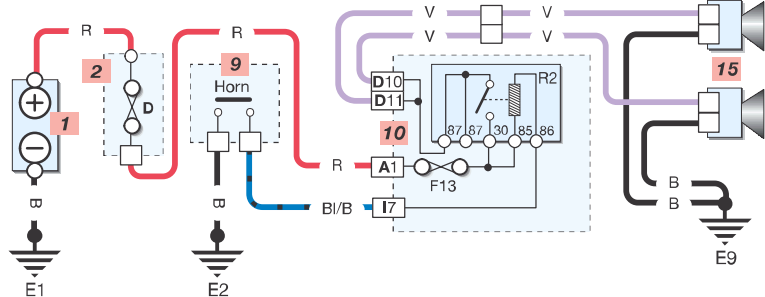


Diagram 11
Arrow J
Charging warning light

Horn



Heated rear window

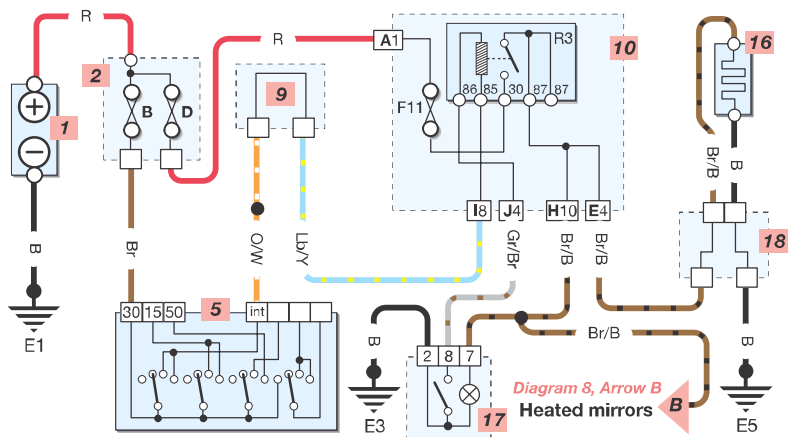
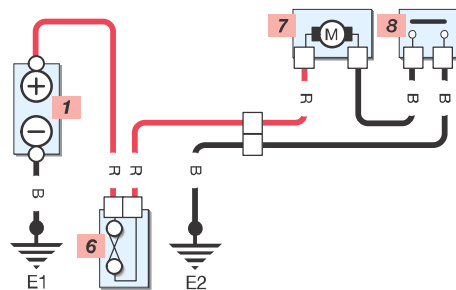


Diagram 8, Arrow B
Heated mirrors

Engine cooling fan



Interior ventilation

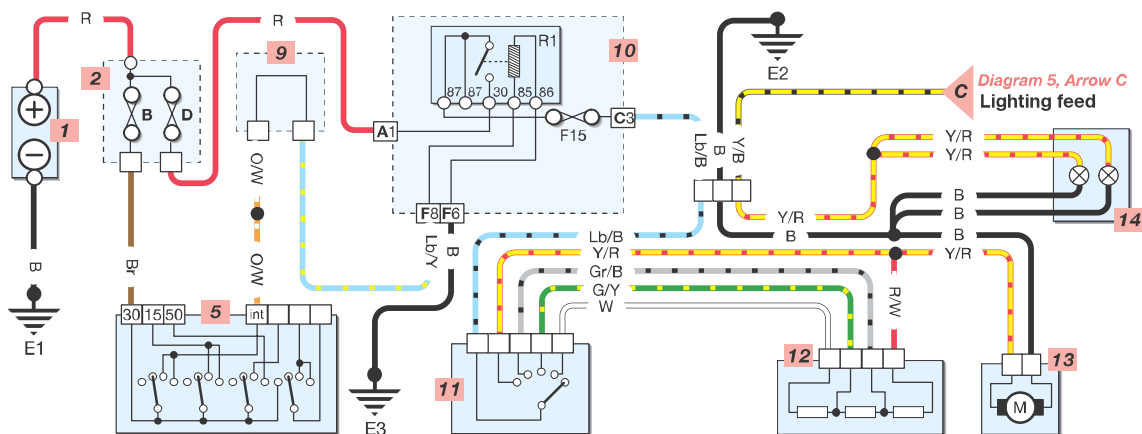


Diagram 5, Arrow C
Lighting feed

Wire colours

W	White	O	Orange
R	Red	Lb	Light blue
Y	Yellow		
Br	Brown		
P	Pink		
Bl	Blue		
Gr	Grey		
G	Green		
B	Black		
V	Violet		

Small
H31694

Key to items

- | | | | | | | |
|---|-----------------------------|--|--|-------------------------|-----------------------------------|------------------------------|
| 1 | Battery | C | rear screen wiper switch | 24 | Headlight intermittent wash relay | |
| 2 | Power fuse box | D | direction indicators/
hazard lights relay | 25 | Headlight washer pump | |
| | B | 40A fuse for ignition system | | | 26 | Hazard warning lights switch |
| | C | 60A fuse for optional extras | 10 | Junction unit | | |
| | D | 80A fuse for junction unit | R1 | Ignition relay | | |
| 5 | Ignition switch | 18 | Contact board for rear connections | | | |
| 9 | Steering column switch unit | 20 | Front/rear washer pump | | | |
| | A | windscreen wiper speed control | 21 | Windscreen wiper motor | | |
| | B | front/rear screen, headlamp
washer switch | 22 | Rear screen wiper motor | | |
| | | 23 | Fuse for headlight washer (20A) | | | |

Diagram 3

Front and rear screen wash/wipe

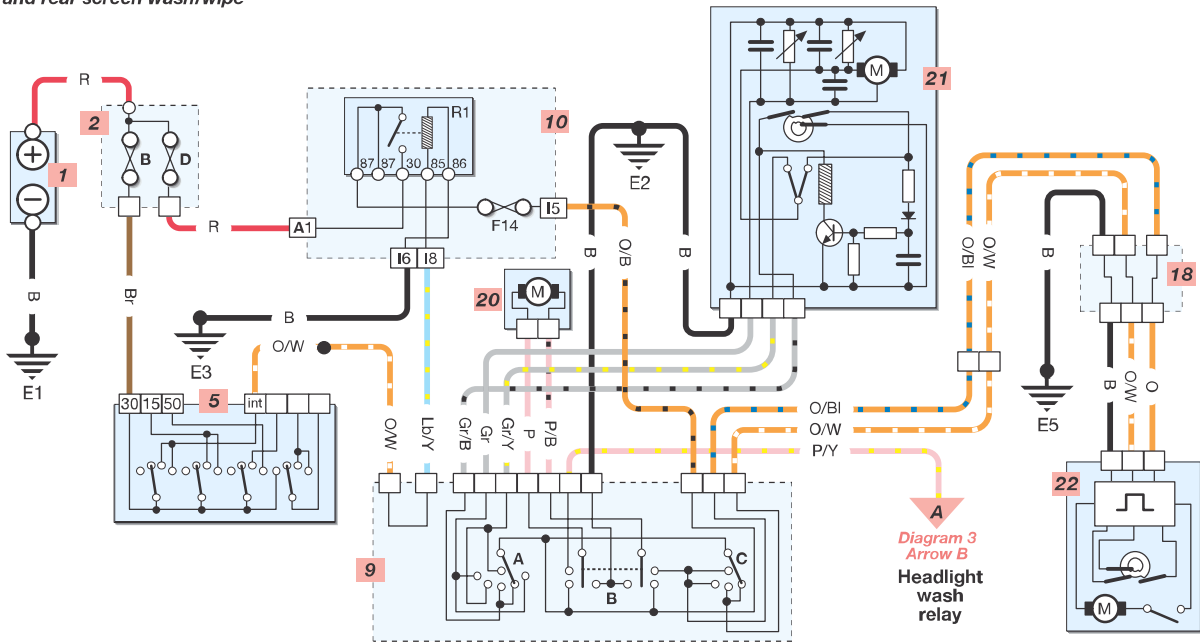


Diagram 3
Arrow A
Arrow B
Headlight
wash
relay

Hazard warning lights

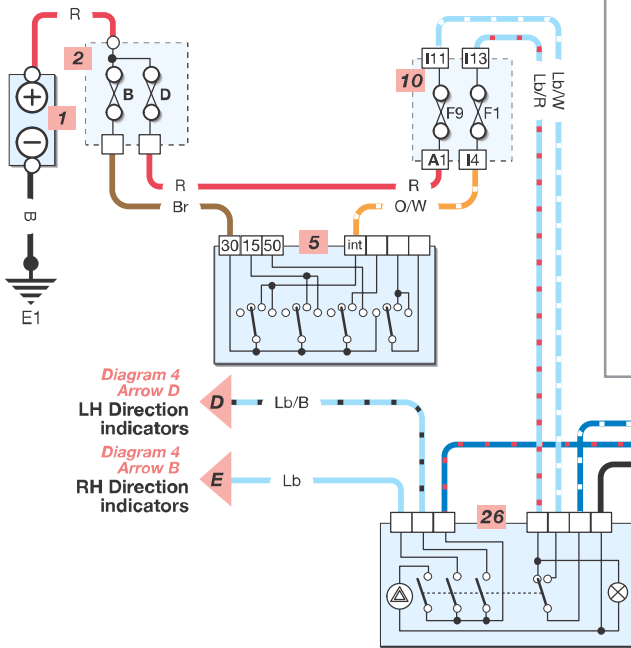


Diagram 4
Arrow D
LH Direction
indicators
Diagram 4
Arrow B
RH Direction
indicators

Headlight wash

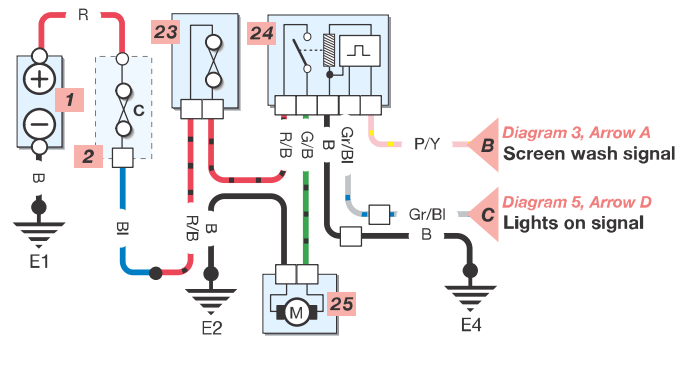


Diagram 3, Arrow A
B
Screen wash signal
Diagram 5, Arrow D
C
Lights on signal

Wire colours

W	White	O	Orange
R	Red	Lb	Light blue
Y	Yellow		
Br	Brown		
P	Pink		
Bl	Blue		
Gr	Grey		
G	Green		
B	Black		
V	Violet		

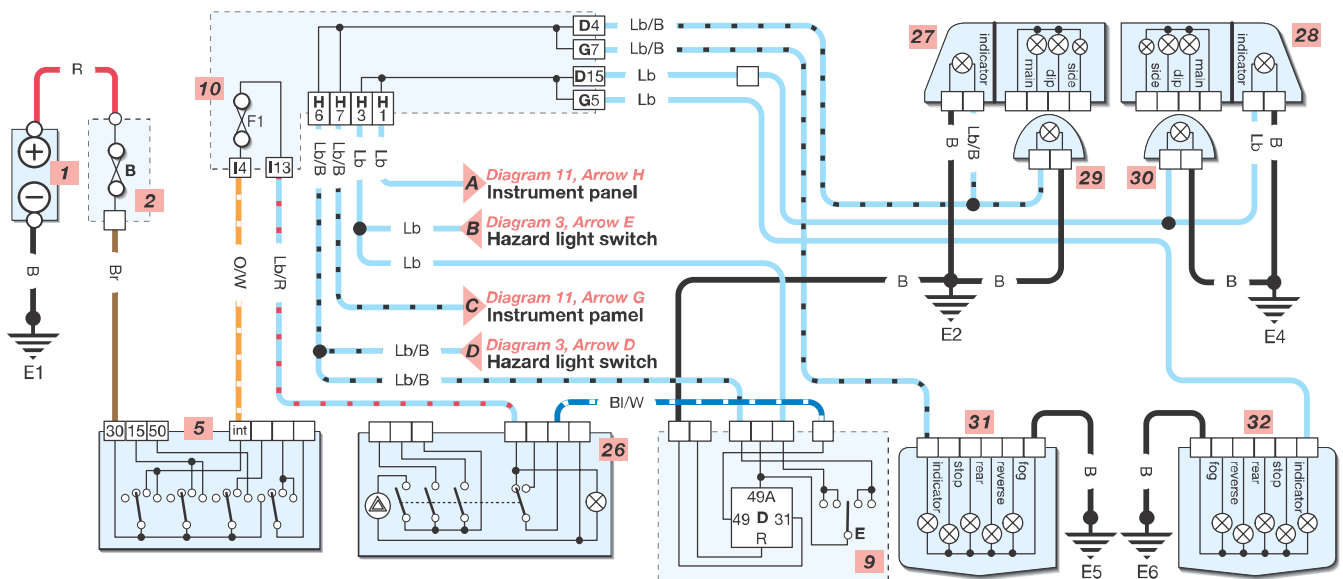
Small
H31695

Key to items

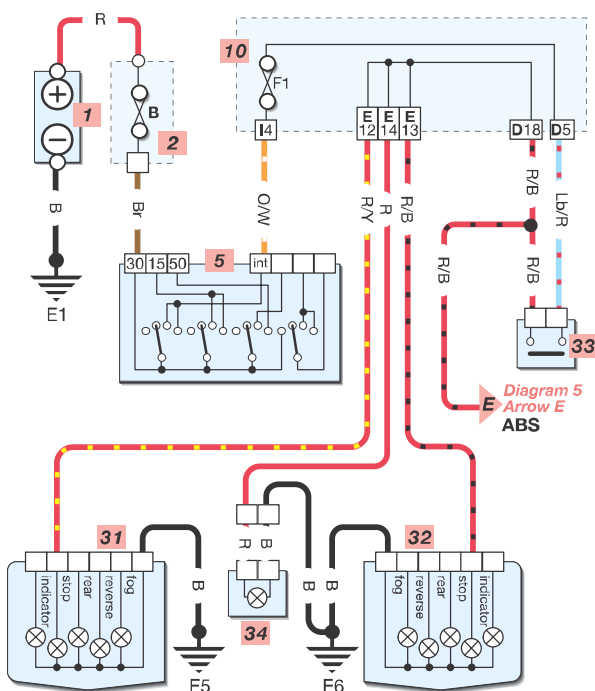
- | | | | |
|----|--|----|-------------------------|
| 1 | Battery | 27 | Front LH light cluster |
| 2 | Power fuse box | 28 | Front RH light cluster |
| B | 40A fuse for ignition system | 29 | Front LH side indicator |
| 5 | Ignition switch | 30 | Front RH side indicator |
| 9 | Steering column switch unit | 31 | Rear LH light cluster |
| D | direction indicators/
hazard lights relay | 32 | Rear RH light cluster |
| E | Direction indicator switch | 33 | Brake lights switch |
| 10 | Junction unit | 34 | Additional brake light |
| 26 | Hazard warning lights switch | 35 | Reversing light switch |

Diagram 4

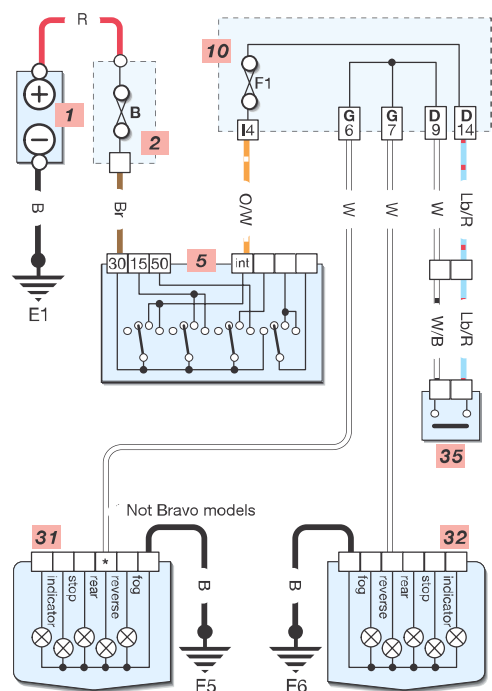
Direction indicators



Brake lights



Reversing lights



Wire colours

W	White	O	Orange
R	Red	Lb	Light blue
Y	Yellow		
Br	Brown		
P	Pink		
Bl	Blue		
Gr	Grey		
G	Green		
B	Black		
V	Violet		

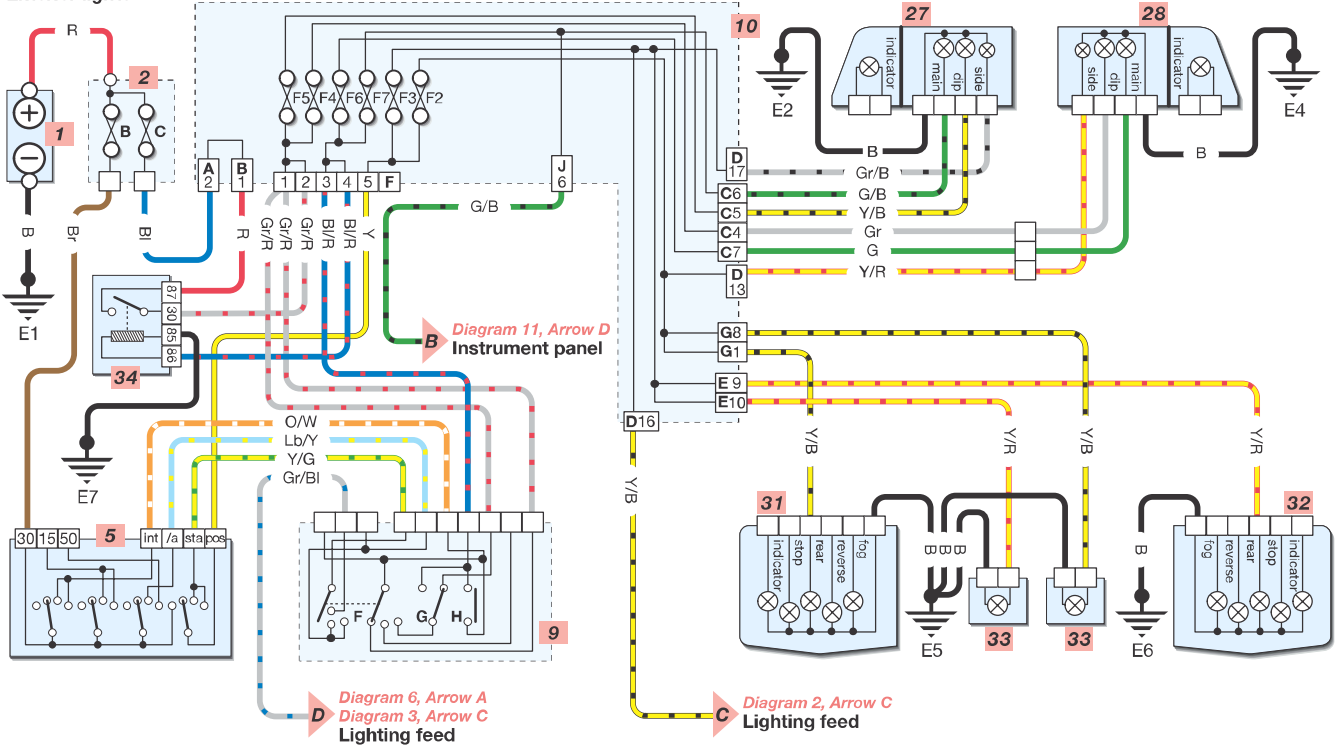
Small
H31696

Key to items

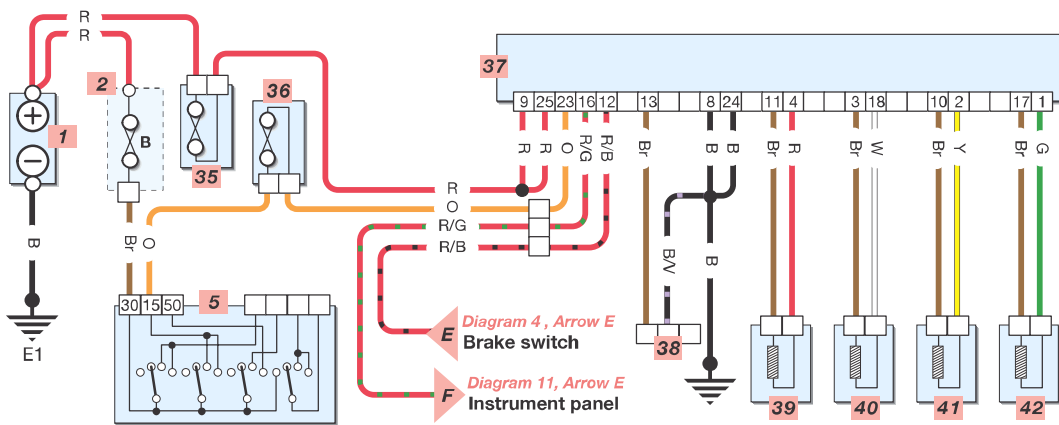
- | | | | | |
|----|-----------------------------|------------------------------|-----------------------|---------------------|
| 1 | Battery | 31 | Rear LH light cluster | |
| 2 | Power fuse box | 32 | Rear RH light cluster | |
| | B | 40A fuse for ignition system | 33 | Number plate lights |
| | C | 60A fuse for optional extras | 34 | Dipped beam relay |
| 5 | Ignition switch | 35 | Fuse (60A) | |
| 9 | Steering column switch unit | 36 | ABS fuse (5A) | |
| F | Sidelights switch | 37 | ABS control unit | |
| G | Headlight dip/main switch | 38 | Diagnostic connection | |
| H | Headlight flash | 39 | Front LH ABS sensor | |
| 10 | Junction unit | 40 | Front RH ABS sensor | |
| 27 | Front LH light cluster | 41 | Rear LH ABS sensor | |
| 28 | Front RH light cluster | 42 | Rear RH ABS sensor | |

Diagram 5

Exterior lights



Anti-lock braking system



Wire colours

W	White	O	Orange
R	Red	Lb	Light blue
Y	Yellow		
Br	Brown		
P	Pink		
Bl	Blue		
Gr	Grey		
G	Green		
B	Black		
V	Violet		

Small
H31697

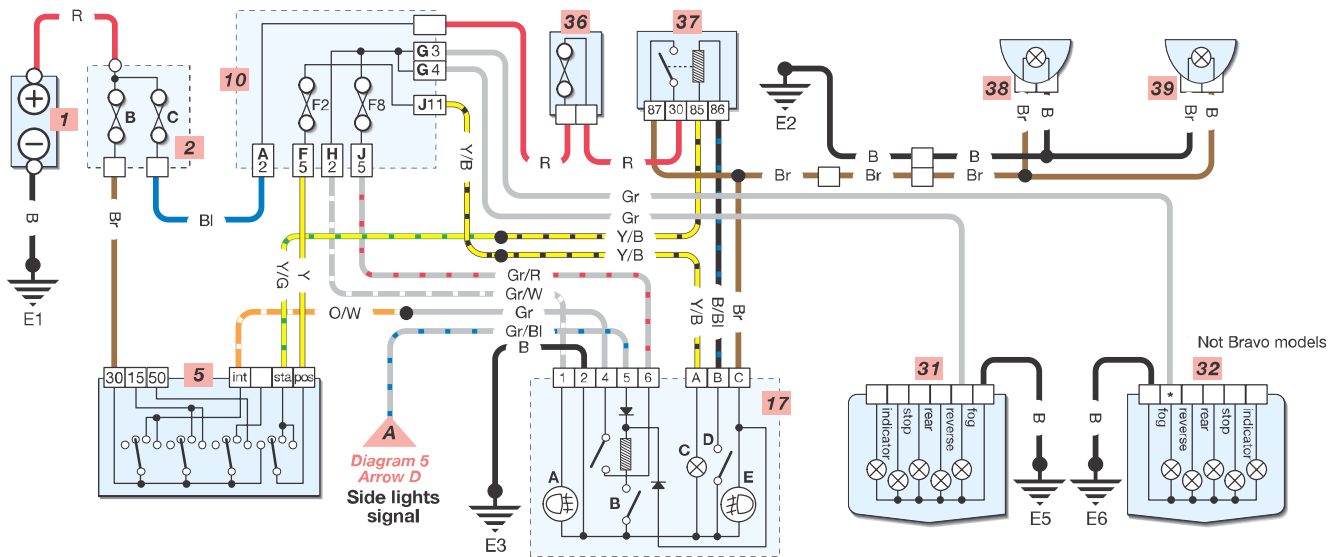
Key to items

- | | | | | |
|----|----------------------|-------------------------------|---------------------------|------------------------|
| 1 | Battery | D | fog lights switch | |
| 2 | Power fuse box | E | fog lights warning light | |
| | B | 40A fuse for ignition system | | |
| | C | 60A fuse for optional extras | | |
| 5 | Ignition switch | 31 | Rear LH light cluster | |
| 10 | Junction unit | 32 | Rear RH light cluster | |
| 17 | Switch control panel | 36 | Front fog lights fuse 20A | |
| | A | rear fog lights warning light | 37 | Fog lights relay |
| | B | rear fog lamps switch | 38 | Front LH fog light |
| | C | panel lighting | 39 | Front RH fog light |
| | | | 40 | Power relay |
| | | | 41 | Front windows fuse 30A |

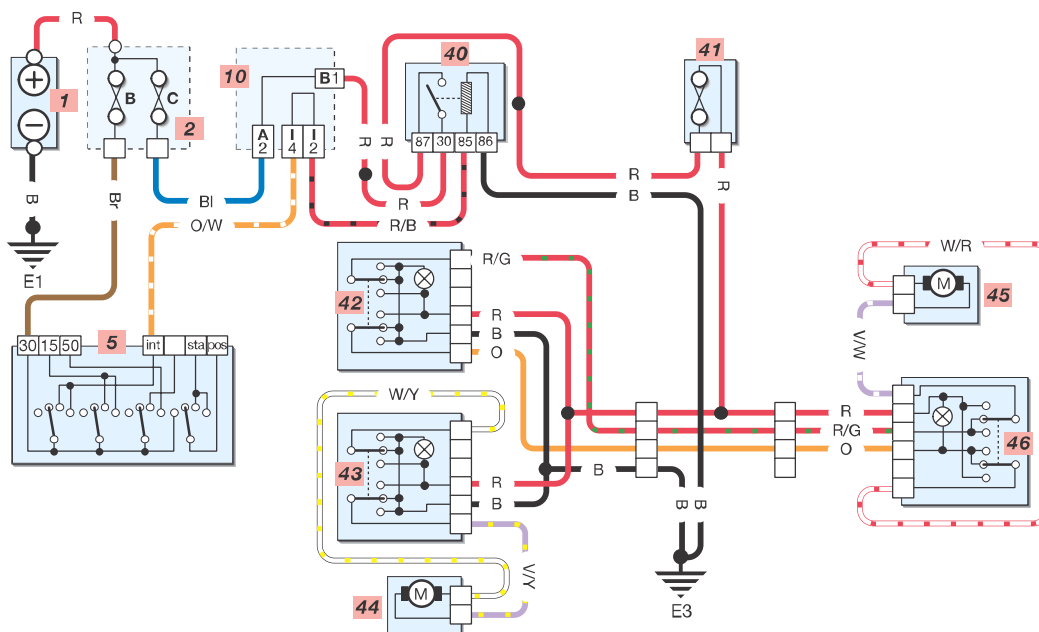
Diagram 6

- | | |
|----|---|
| 42 | RH electric window control unit, on LH door |
| 43 | LH electric window control unit |
| 44 | LH window motor |
| 45 | RH window motor |
| 46 | RH electric window control unit |

Fog lights - Front and rear



Electric windows - front (trim level S - SX)



Wire colours

W	White	O	Orange
R	Red	Lb	Light blue
Y	Yellow		
Br	Brown		
P	Pink		
Bl	Blue		
Gr	Grey		
G	Green		
B	Black		
V	Violet		

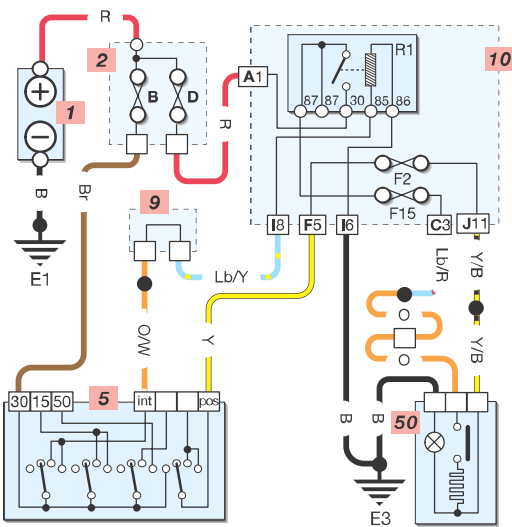
Smorrell
H31698

Key to items

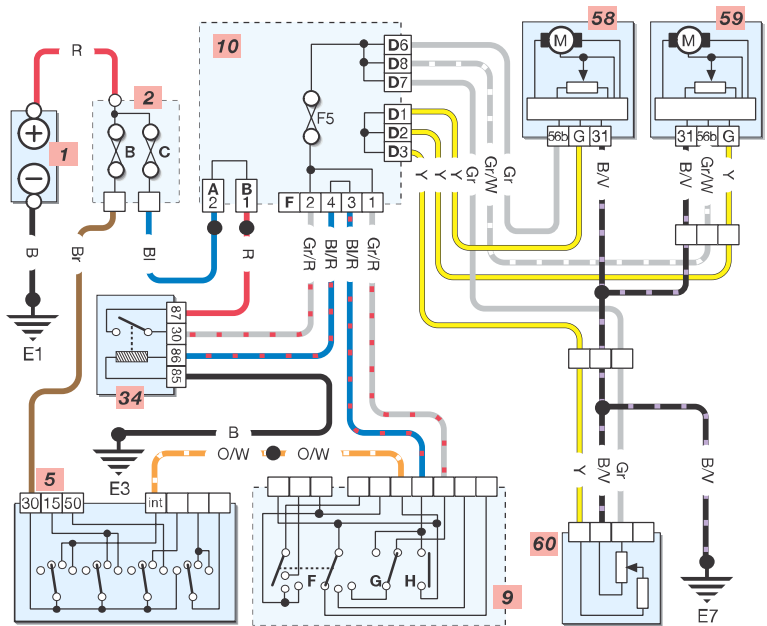
- 1 Battery
- 2 Power fuse box
- B 40A fuse for ignition system
- D 80A fuse for junction unit
- 5 Ignition switch
- 9 Steering column switch unit
- F Sidelights switch
- G Headlight dip/main switch
- H Headlight flash
- 10 Junction unit
- R1 Ignition relay
- 34 Dip beam relay
- 50 Cigarette lighter
- 51 High level radio
- 52 Front LH speaker (Tweeter)
- 53 Front RH speaker (Tweeter)
- 54 LH door speaker
- 55 RH door speaker
- 56 Rear LH speaker
- 57 Rear RH speaker
- 58 LH headlight correction unit
- 59 RH headlight correction unit
- 60 Headlight alignment control unit

Diagram 7

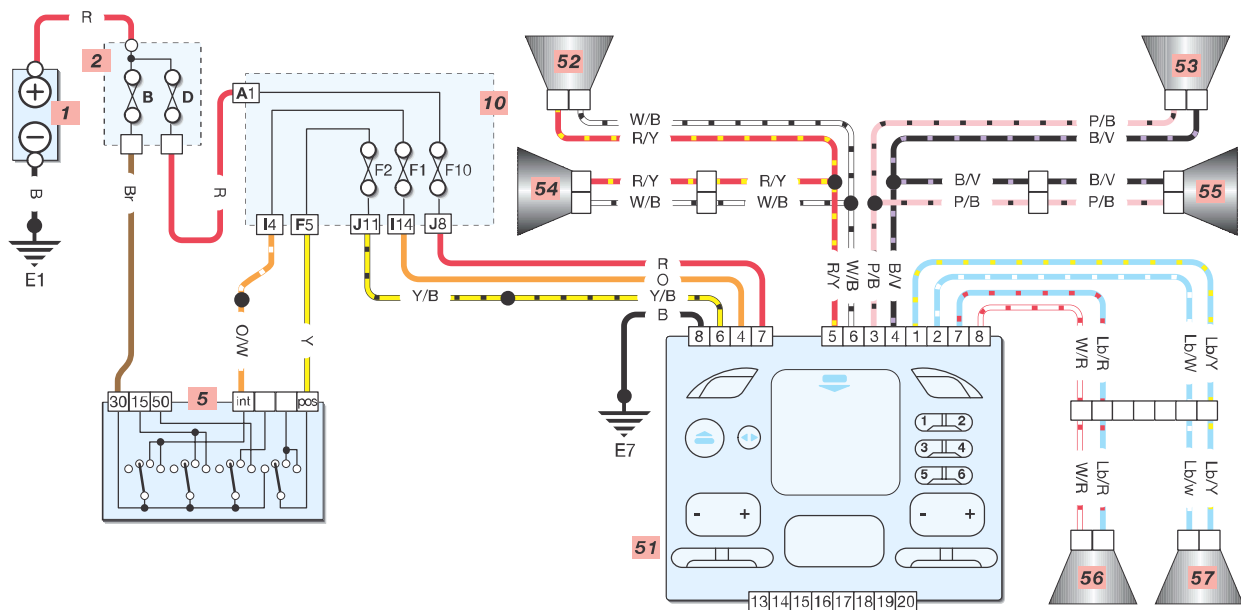
Cigarette lighter



Headlight alignment correction



High level Radio



Wire colours

W	White	O	Orange
R	Red	Lb	Light blue
Y	Yellow		
Br	Brown		
P	Pink		
Bl	Blue		
Gr	Grey		
G	Green		
B	Black		
V	Violet		

Small
H31699

Key to items

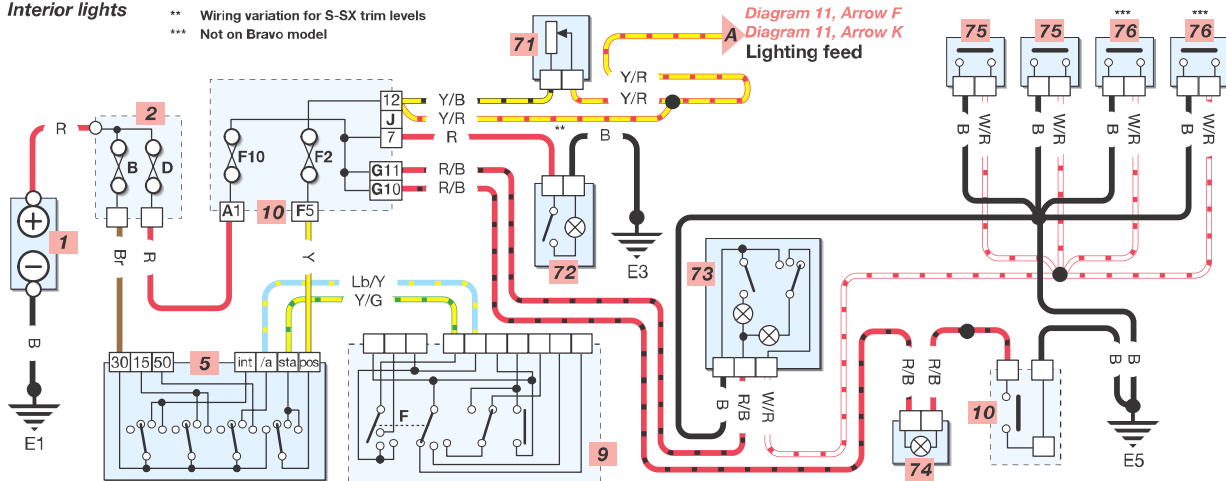
- 1 Battery
- 2 Power fuse box
- B 40A fuse for ignition system
- C 60A fuse for optional extras
- D 80A fuse for junction unit
- 5 Ignition switch
- 9 Steering column switch unit
- F Sidelights switch
- R1 Ignition relay
- 18 Contact board for rear connections
- 61 Adjustable mirrors fuse 7.5A
- 62 Adjustable mirrors control panel
- 63 LH rear view mirror
- 64 RH rear view mirror
- 65 Sun roof control unit
- 66 Power relay
- 67 Fuse for sun roof 20A
- 68 Sun roof motor
- 69 Sun roof end of travel switch

Diagram 8

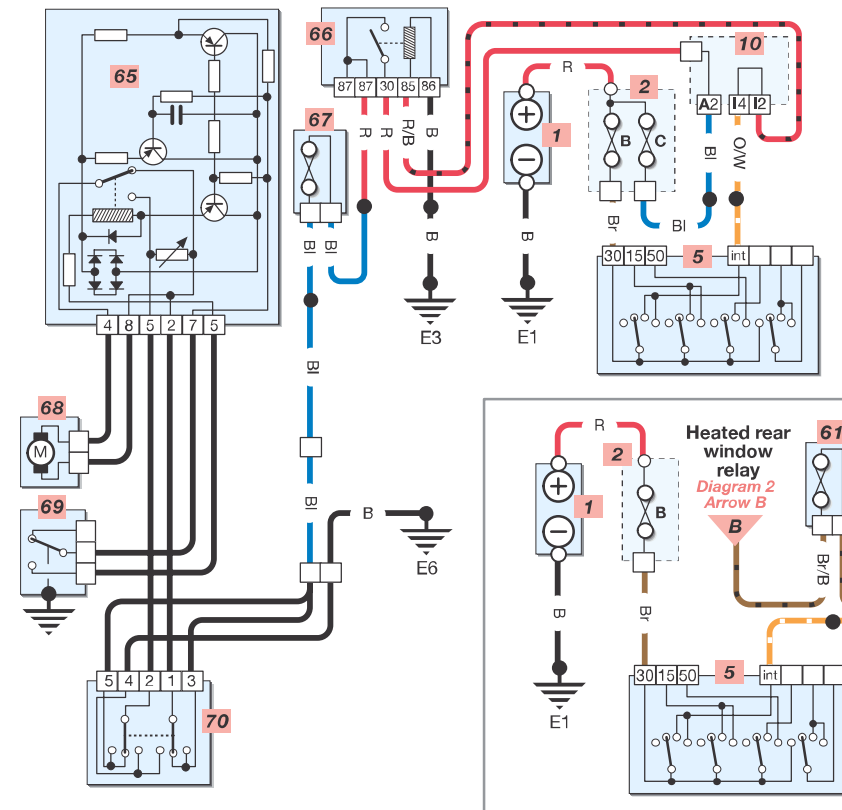
- 70 Sun roof control button
- 71 Instrument panel light dimmer
- 72 Glove compartment light
- 73 Courtesy lights
- 74 Luggage compartment light
- 75 Front courtesy light switch
- 76 Rear courtesy light switch

Interior lights

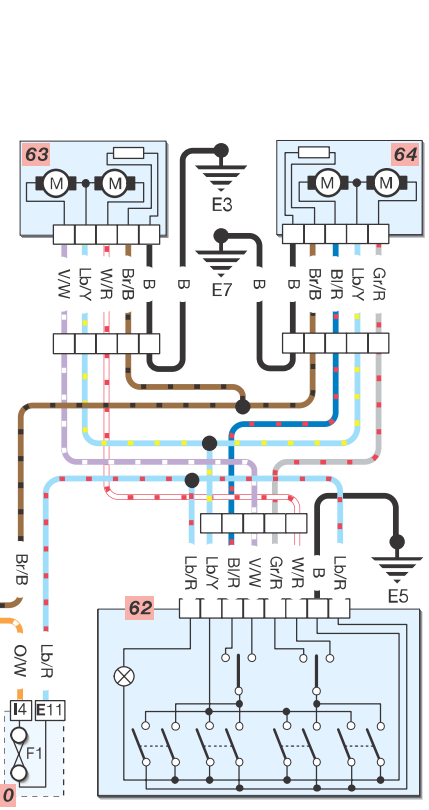
** Wiring variation for S-SX trim levels
*** Not on Bravo model



Electrically operated sun roof



Heated/adjustable rear view mirrors



Wire colours

W	White	O	Orange
R	Red	Lb	Light blue
Y	Yellow		
Br	Brown		
P	Pink		
Bl	Blue		
Gr	Grey		
G	Green		
B	Black		
V	Violet		

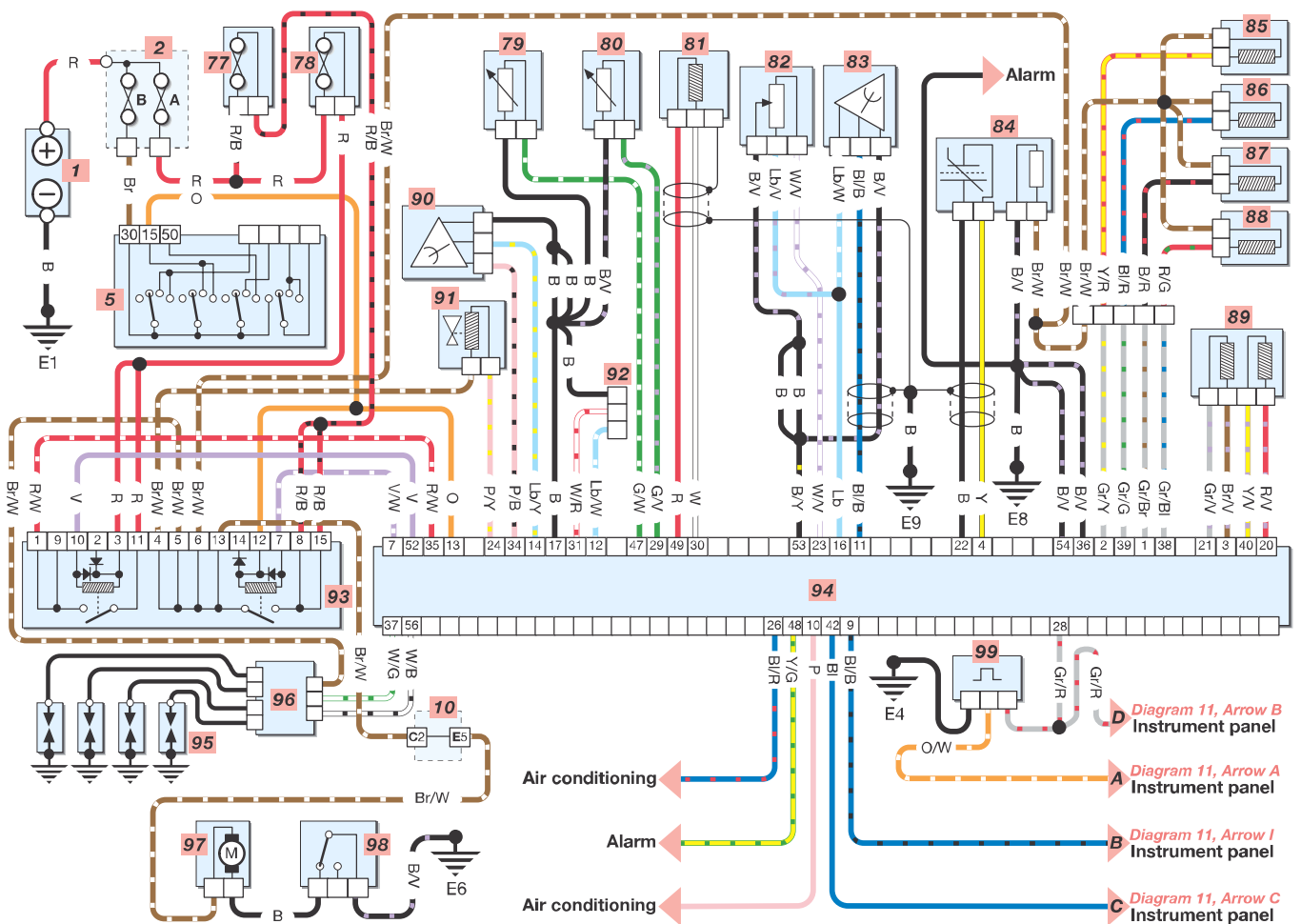
Smalley
H31700

Key to items

1	Battery	80	Air temp. sensor	90	Absolute pressure sensor
2	Power fuse box	81	RPM and TDC sensor	91	Petrol vapour cut out valve
A	30A fuse for injection system	82	Potentiometer on butterfly valve	92	Diagnostic sensor
B	40A fuse for ignition system	83	Timing sensor	93	Multiple relay
5	Ignition switch	84	Heated lambda sensor	94	Injection/ignition control unit
10	Junction unit	85	Injector 1	95	Spark plugs
77	Injection system fuse 25A	86	Injector 2	96	Ignition coils
78	Injection/ignition control unit fuse 5A	87	Injector 3	97	Fuel pump
79	Water temp. sensor	88	Injector 4	98	Inertia switch
		89	Idle adjustment actuator	99	Vehicle speed sensor

Diagram 9

Weber IAW MPI ignition and fuel injection system - 1600 16V models



Wire colours

W	White	O	Orange
R	Red	Lb	Light blue
Y	Yellow		
Br	Brown		
P	Pink		
Bl	Blue		
Gr	Grey		
G	Green		
B	Black		
V	Violet		

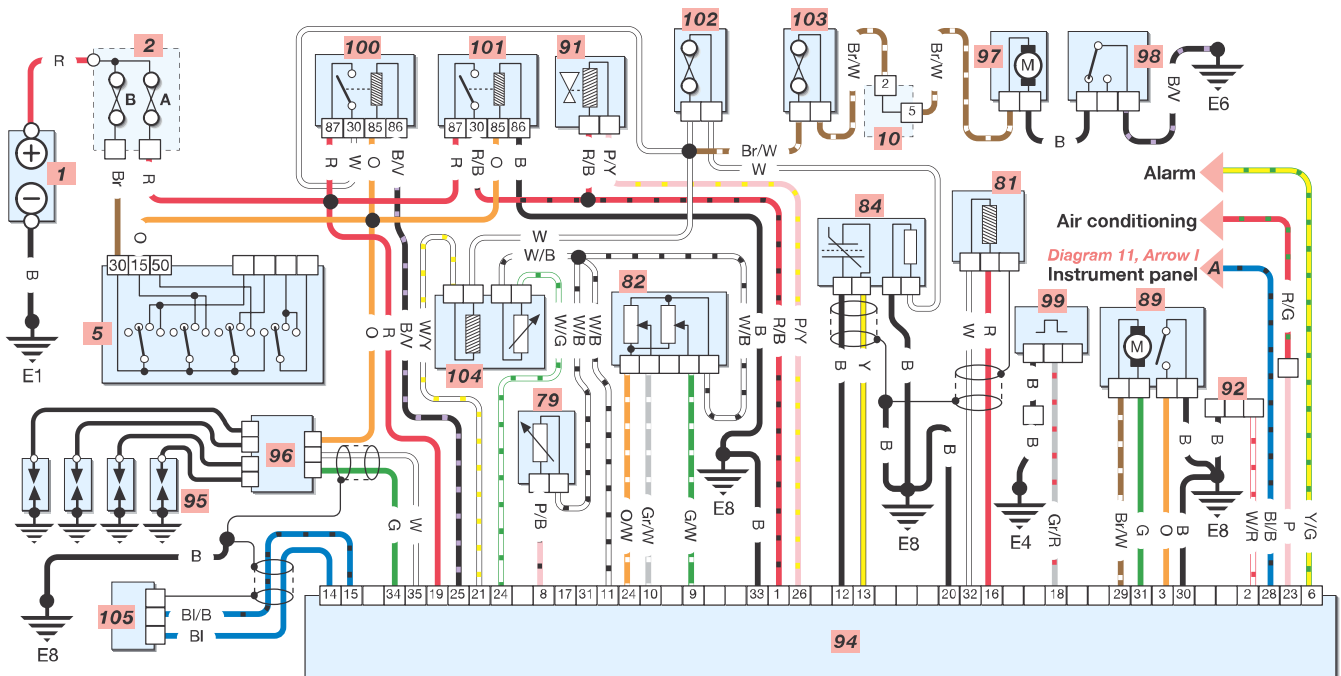
Small
H31701

Key to items

1	Battery	89	Idle adjustment actuator	101	Injection relay
2	Power fuse box	91	Petrol vapour cut out valve	102	Injection system fuse 10A
A	30A fuse for injection system	92	Diagnostic sensor	103	Fuel pump/ lambda sensor fuse 10A
B	40A fuse for ignition system	94	Injection/ignition control unit	104	Injector and air temp sensor
5	Ignition switch	95	Spark plugs	105	Detonation sensor
10	Junction unit	96	Ignition coils		
79	Water temp. sensor	97	Fuel pump		
81	RPM and TDC sensor	98	Inertia switch		
82	Potentiometer on butterfly valve	99	Vehicle speed sensor		
84	Heated lambda sensor	100	Fuel pump relay		

Diagram 10

Bosch Mono Motronic ignition and fuel injection system - 1370cc models



Wire colours

W	White	O	Orange
R	Red	Lb	Light blue
Y	Yellow		
Br	Brown		
P	Pink		
Bl	Blue		
Gr	Grey		
G	Green		
B	Black		
V	Violet		

Small
H31702

Key to items

1	Battery	115	Fuel level sensor	j	Handbrake/low brake fluid lamp	
2	Power fuse box	116	Instrument panel	k	Main beam warning	
	B	40A fuse for ignition system	a	Battery charging warning lamp	l	Side lights warning
	D	80A fuse for junction unit	b	Injection system failure lamp	m	Fuel gauge
5	Ignition switch	c	Front brake pad wear lamp	n	Fuel reserve control module	
10	Junction unit	d	Low oil pressure warning	o	LH indicator	
110	Brake fluid level switch	e	ABS warning lamp	p	RH indicator	
111	Brake pad wear sensor	f	Water temperature gauge	q	Fuel reserve warning	
112	Oil pressure switch	g	Tachometer	r	Speedometer control module	
113	Water temperature sensor	h	Panel lighting	s	Speedometer	
114	Handbrake switch	i	Panel lighting	t	Trip meter with reset	

Diagram 11

Instrument panel

