

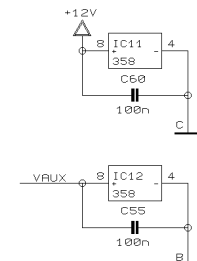
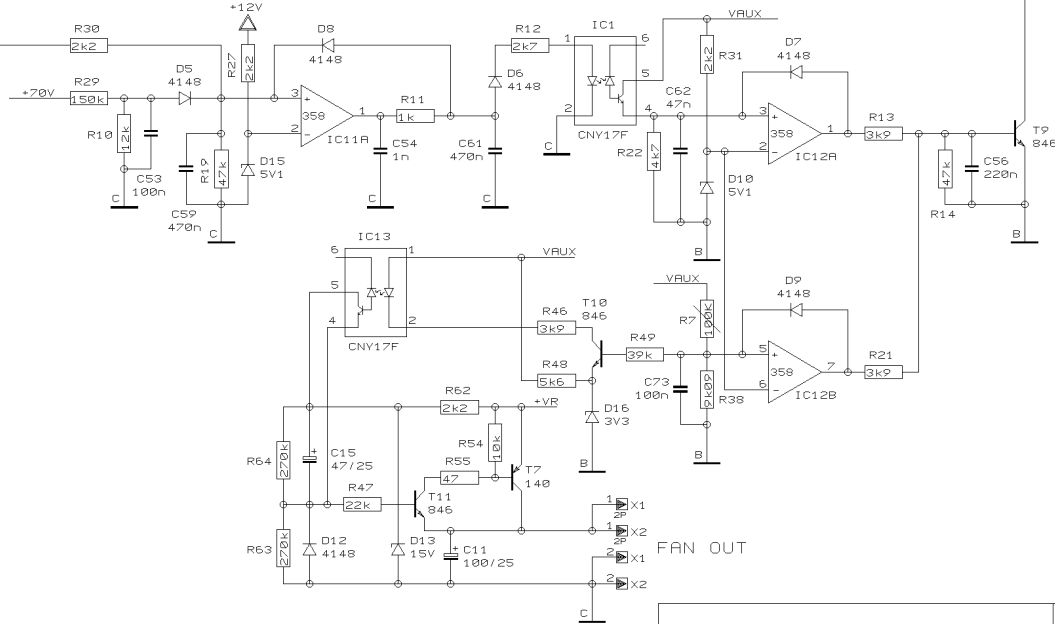
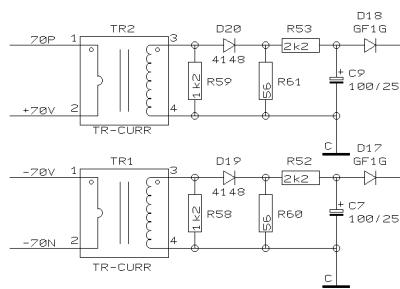
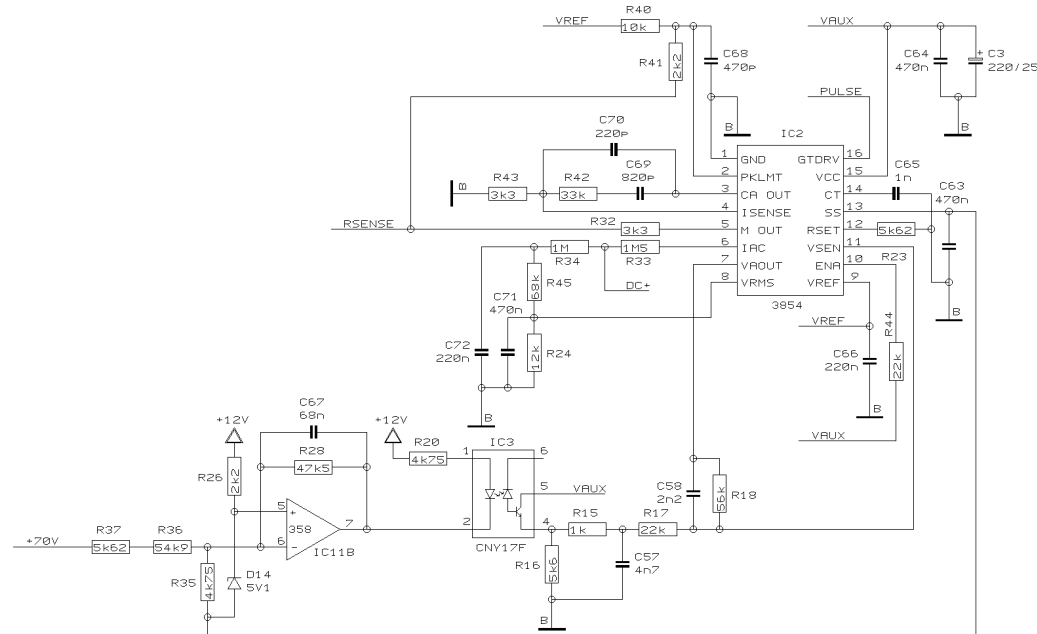
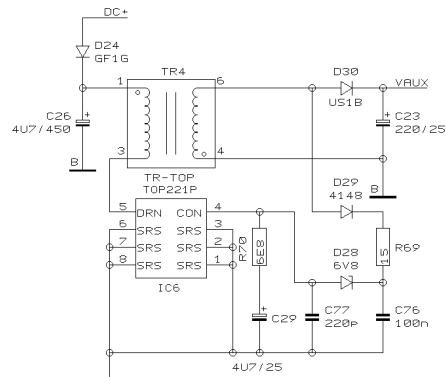
- J2 DIODE HEATSINK
- J3 MOSFET HEATSINK
- J5 -15V REG HEATSINK
- J5 +15V REG HEATSINK
- J8 +48V REG HEATSINK
- J4 FAN REG HEATSINK
- J9 +5V REG HEATSINK
- J7 12V FLOAT REG HEATSINK
- J1 CLAMP DIODE HEATSINK

REVISIONS E (28/05/04)

DRAWN SASA CHECKED DATE 12.07. 4 14:30



PROJECT SPS600
 POWER SUPPLY 600W
 SCHEMATICS
 SHEET 1 OF 2 SHEETS TOTAL



REVISIONS	E	DATE	12.07. 4
DRAWN	SASA	DATE	14:30
CHECKED			



PROJECT
SPS600
POWER SUPPLY 600W
SCHEMATICS
SHEET 2 OF 2 SHEETS TOTAL