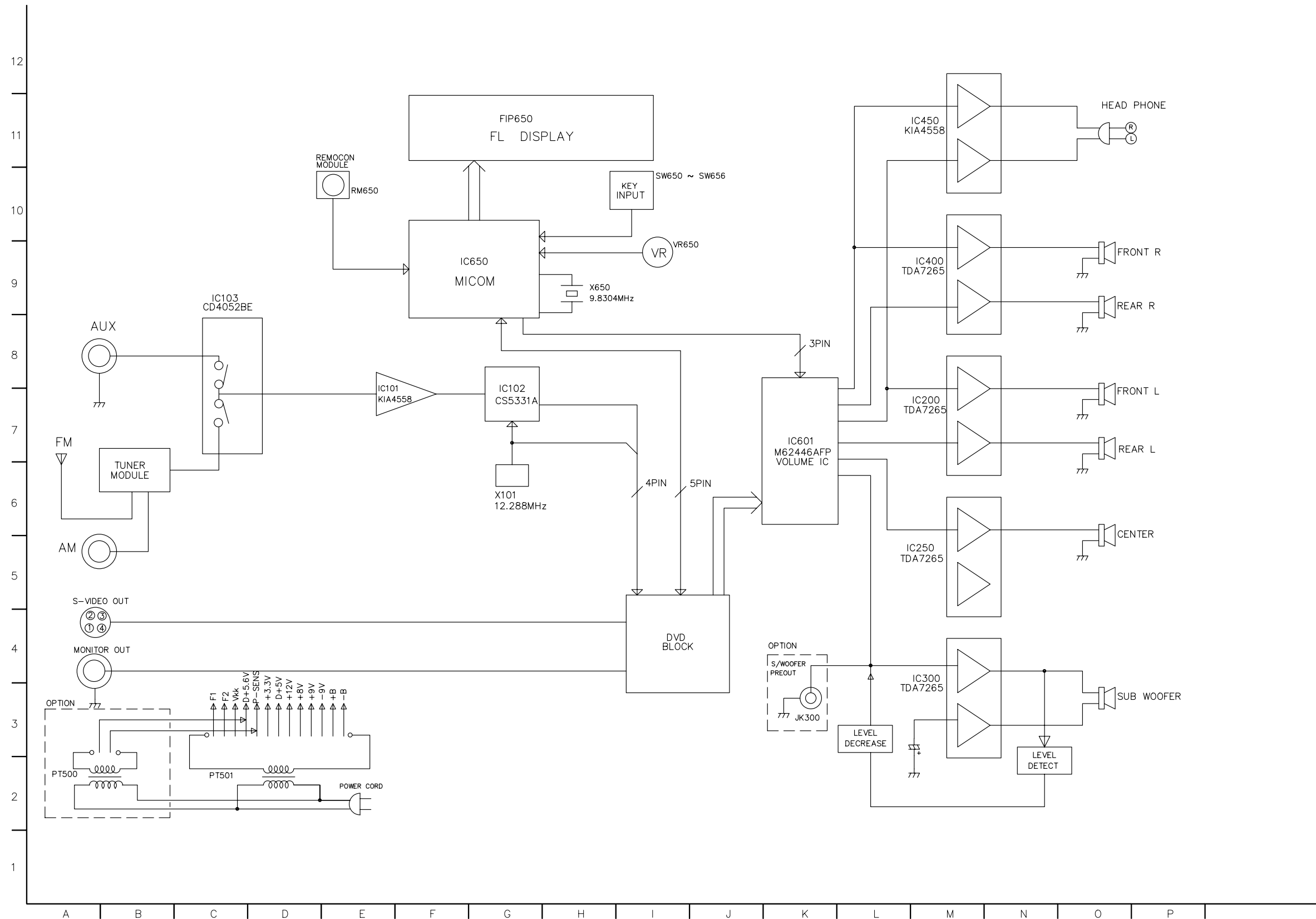


SECTION 2. AUDIO PART

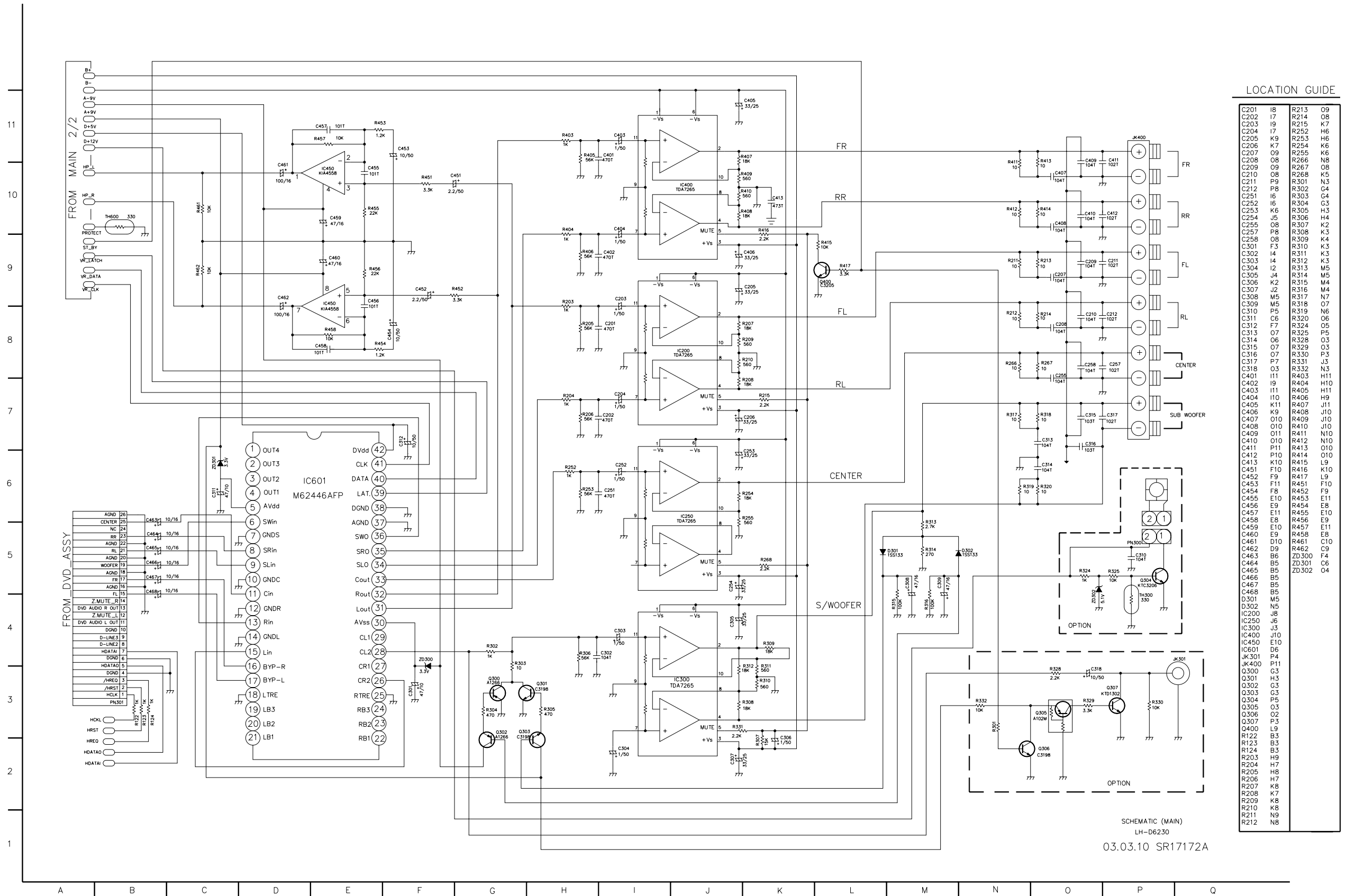


□ BLOCK DIAGRAM



□ SCHEMATIC DIAGRAMS

• MAIN SCHEMATIC DIAGRAM



LOCATION GUIDE

C201	I8	R213	O8
C202	I7	R214	O9
C203	I9	R215	K7
C204	I7	R252	H6
C205	K9	R253	H6
C206	K7	R254	K6
C207	O9	R255	K6
C208	O8	R266	N8
C209	O9	R267	O8
C210	O8	R268	K5
C211	P9	R301	N3
C212	P8	R302	G4
C251	I6	R303	G4
C252	I6	R304	G3
C253	K6	R305	H3
C254	J5	R306	H4
C255	O8	R307	K2
C257	P8	R308	K3
C258	O8	R309	K4
C301	F3	R310	K3
C302	I4	R311	K3
C303	I4	R312	K3
C304	I2	R313	M5
C305	J4	R314	M5
C306	K2	R315	M4
C307	J2	R316	M4
C308	M5	R317	N7
C309	M5	R318	O7
C310	P5	R319	N6
C311	C6	R320	O6
C312	F7	R324	O5
C313	O7	R325	P5
C314	O6	R328	O3
C315	O7	R329	O3
C316	O7	R330	P3
C317	P7	R331	J3
C318	O3	R332	N3
C401	I11	R403	H11
C402	I9	R404	H10
C403	I11	R405	H11
C404	I10	R406	H9
C405	K11	R407	J11
C406	K9	R408	J10
C407	O10	R409	J10
C408	O10	R410	J10
C409	O11	R411	N10
C410	O10	R412	N10
C411	P11	R413	O10
C412	P10	R414	O10
C413	K10	R415	L9
C451	F10	R416	K10
C452	F9	R417	L9
C453	F11	R451	F10
C454	F8	R452	F9
C455	E10	R453	E11
C456	E9	R454	E8
C457	E11	R455	E10
C458	E8	R456	E9
C459	E10	R457	E11
C460	E9	R458	E8
C461	D10	R461	C10
C462	D9	R462	C9
C463	B6	ZD300	F4
C464	B5	ZD301	C6
C465	B5	ZD302	O4
C466	B5		
C467	B5		
C468	B5		
D301	M5		
D302	N5		
IC200	J8		
IC250	J6		
IC300	J3		
IC400	J10		
IC450	E10		
IC601	D6		
JK301	P4		
JK400	P11		
Q300	G3		
Q301	H3		
Q302	G3		
Q303	G3		
Q304	P5		
Q305	O3		
Q306	O2		
Q307	P3		
Q400	L9		
R122	B3		
R123	B3		
R124	B3		
R203	H9		
R204	H7		
R205	H8		
R206	H7		
R207	K8		
R208	K7		
R209	K8		
R210	K8		
R211	N9		
R212	N8		

SCHEMATIC (MAIN)
LH-D6230
03.03.10 SR17172A

FRONT SCHEMATIC DIAGRAM

LOCATION GUIDE

C650	F10	SW650	P8
C651	J10	SW651	P8
C653	F9	SW652	P7
C654	F8	SW653	P7
C655	F7	SW654	P7
C656	F4	SW655	P6
C657	F3	SW656	P6
C658	F3	VR650	L10
C659	H3	X650	K7
C660	H3	ZD663	L7
C671	J3		
C672	J3		
C673	J7		
C674	K7		
C675	K7		
C676	L6		
C677	L7		
C678	K9		
C679	M8		
C680	N9		
C681	O9		
C682	L7		
C683	F3		
CN650	O4		
CN652	G3		
D650	F6		
D651	F6		
D652	F6		
D653	F6		
D654	F6		
D655	F6		
D656	F6		
D657	F6		
D658	H4		
D659	G3		
D660	J3		
D661	J2		
D662	F5		
IC650	H7		
J622	K6		
J623	K6		
J651	O10		
LED650	F5		
Q650	L6		
Q651	M9		
Q652	N9		
Q653	N9		
R650	F10		
R651	F10		
R652	G10		
R653	N9		
R654	D2		
R655	F10		
R656	D2		
R657	D2		
R658	G5		
R659	G5		
R660	H3		
R661	H3		
R662	H3		
R663	G5		
R664	H3		
R665	F4		
R666	J3		
R667	L4		
R668	L4		
R669	L4		
R670	N4		
R671	N4		
R672	N4		
R673	N4		
R674	K7		
R675	L7		
R676	M7		
R677	M6		
R678	I8		
R679	I8		
R680	J8		
R681	J7		
R682	L8		
R683	J8		
R684	J8		
R685	J8		
R686	I9		
R687	K9		
R688	L10		
R689	L10		
R690	L9		
R691	M9		
R692	M9		
R693	O8		
R694	O7		
R695	O7		
R696	O7		
R697	O6		
R698	O6		
R699	F5		
R700	M4		
R701	L9		
R702	L9		
R703	M9		
R704	M9		
R705	O8		
R706	O7		
R707	O7		
R708	O7		
R709	O6		
R710	O6		
R711	O6		
R712	F5		
R713	M4		
R714	M4		
R715	M4		
R716	L9		
R717	L9		
R718	L9		
R719	L9		
R720	L9		
R721	M9		
R722	M9		
R723	O8		
R724	O7		
R725	O7		
R726	O7		
R727	O6		
R728	O6		
R729	F5		
R730	M4		
R731	L9		
R732	L9		
R733	L8		

1)Diode Option(D650~D657)

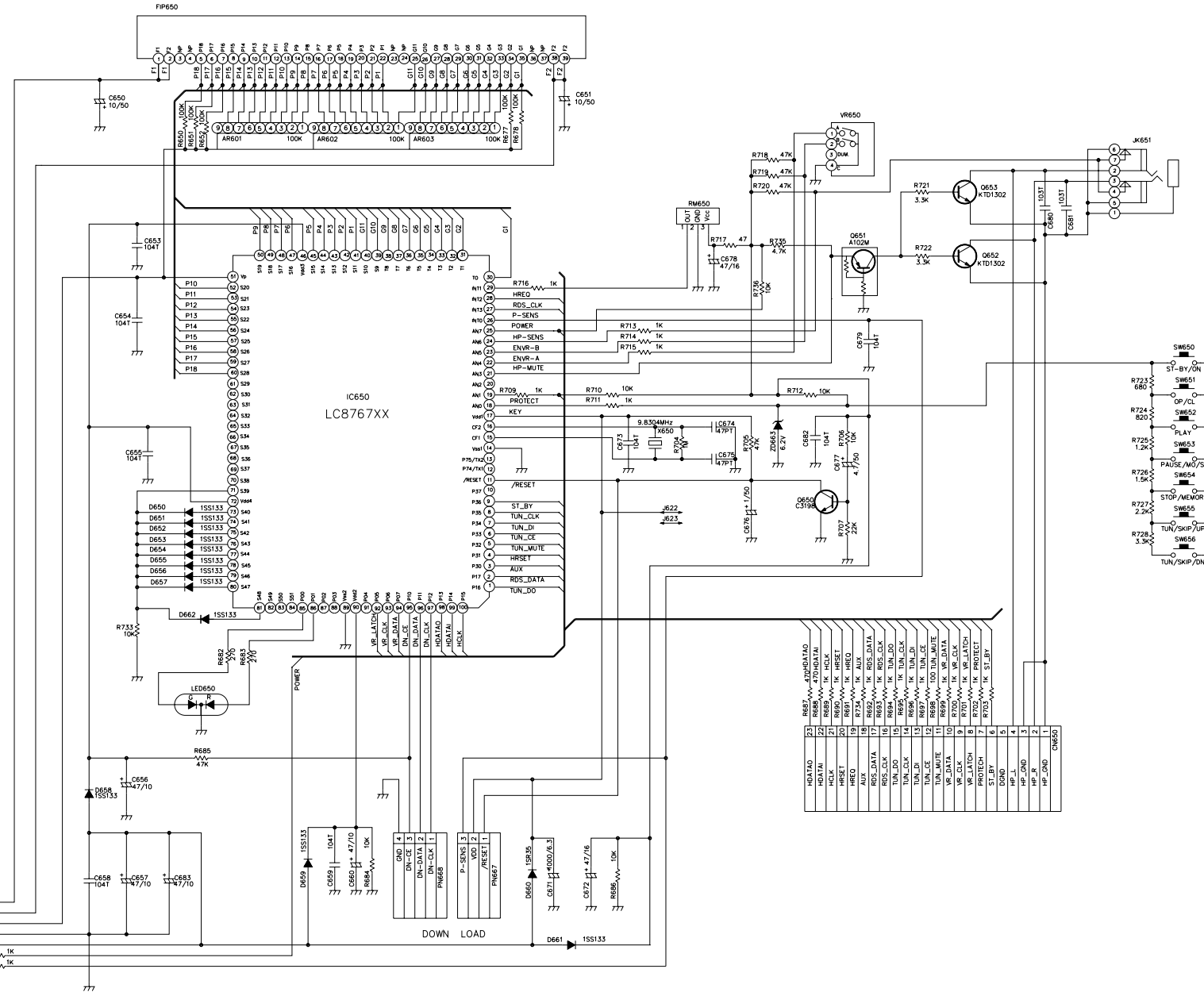
Diode No	ITEM	TABLE	
		1	0
D650	AREA-1		
D651	AREA-2		
D652	AREA-3		
D653	FM STEP	50K	100K
D654	AM STEP	10K	9K
D655	RDS	RDS	NON RDS
D656	DTS	NON DTS	DTS
D657	SET	3230	6230

2)AREA OPTION

	D650	D651	D652
KOR/S.AFICA	0	0	0
USA	1	0	0
EUROPE1	0	1	0
SAC	1	1	0
EUROPE2	0	0	1
JAPAN	0	1	1
EUROPE3	1	1	1

• 0: Not Used
1: Used

CH652	1
F1	1
F2	2
WK	3
GND	4
D+5.6V	5
POWER	6
P-SENS	7




SCHEMATIC(FRONT)

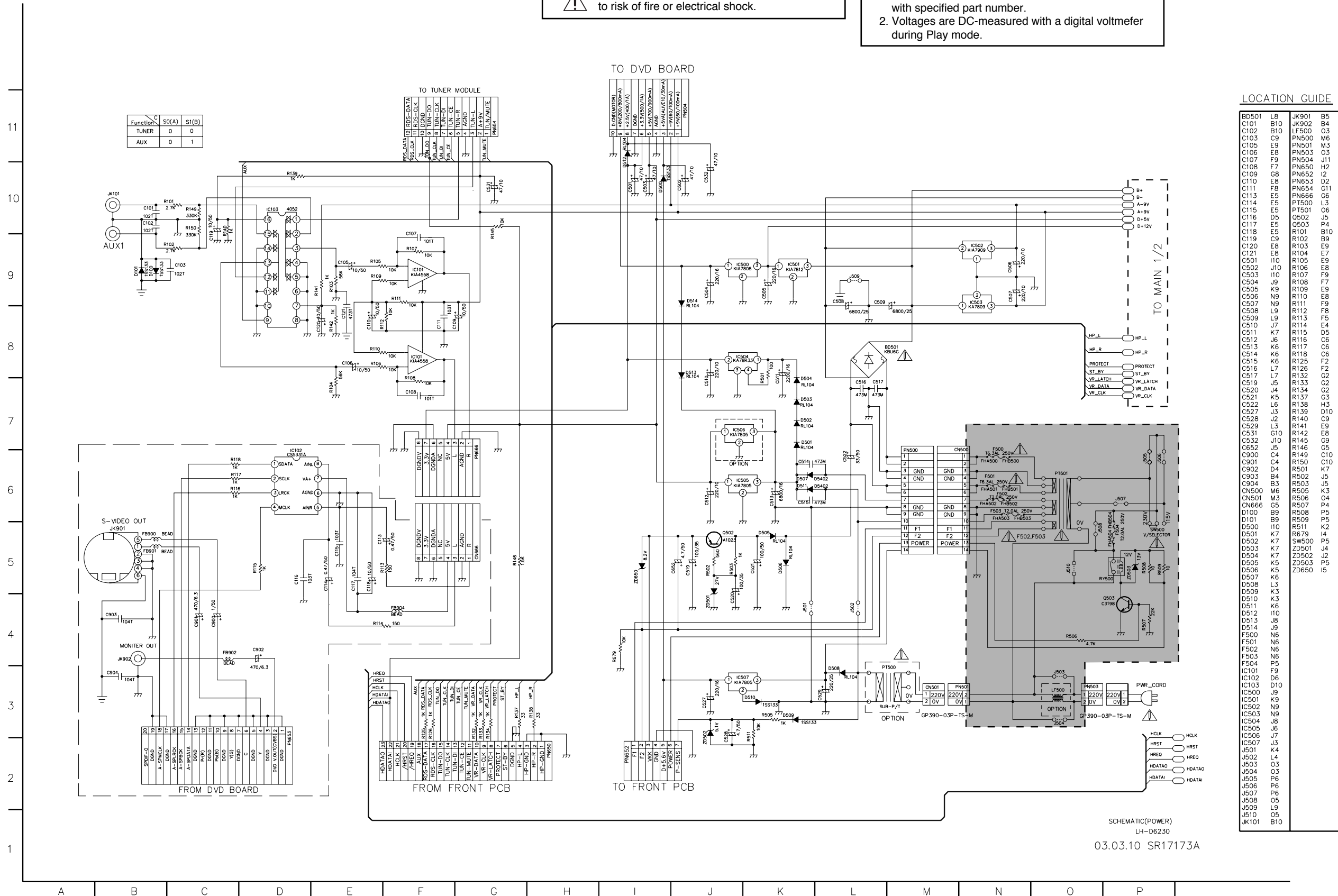
LH-D6230

03.03.10 SR17174A

POWER SCHEMATIC DIAGRAM

NOTE: Warning
 Parts that are shaded are critical With respect to risk of fire or electrical shock.

NOTE:
 1. Shaded(■) parts are critical for safety. Replace only with specified part number.
 2. Voltages are DC-measured with a digital voltmeter during Play mode.



Function	SO(A)	SI(B)
TUNER	0	0
AUX	0	1

TO TUNER MODULE
RDS-DATA
RDS-CLK
TUN-DO
TUN-CK
TUN-DI
TUN-DE
TUN-CE
TUN-L
TUN-S
TUN-A-SV
TUN/AUTE
PN504


TO DVD BOARD
D-DATA
D-CLK
D-DO
D-CK
D-DI
D-DE
D-CE
D-L
D-S
D-A-SV
D-AUTE
PN504

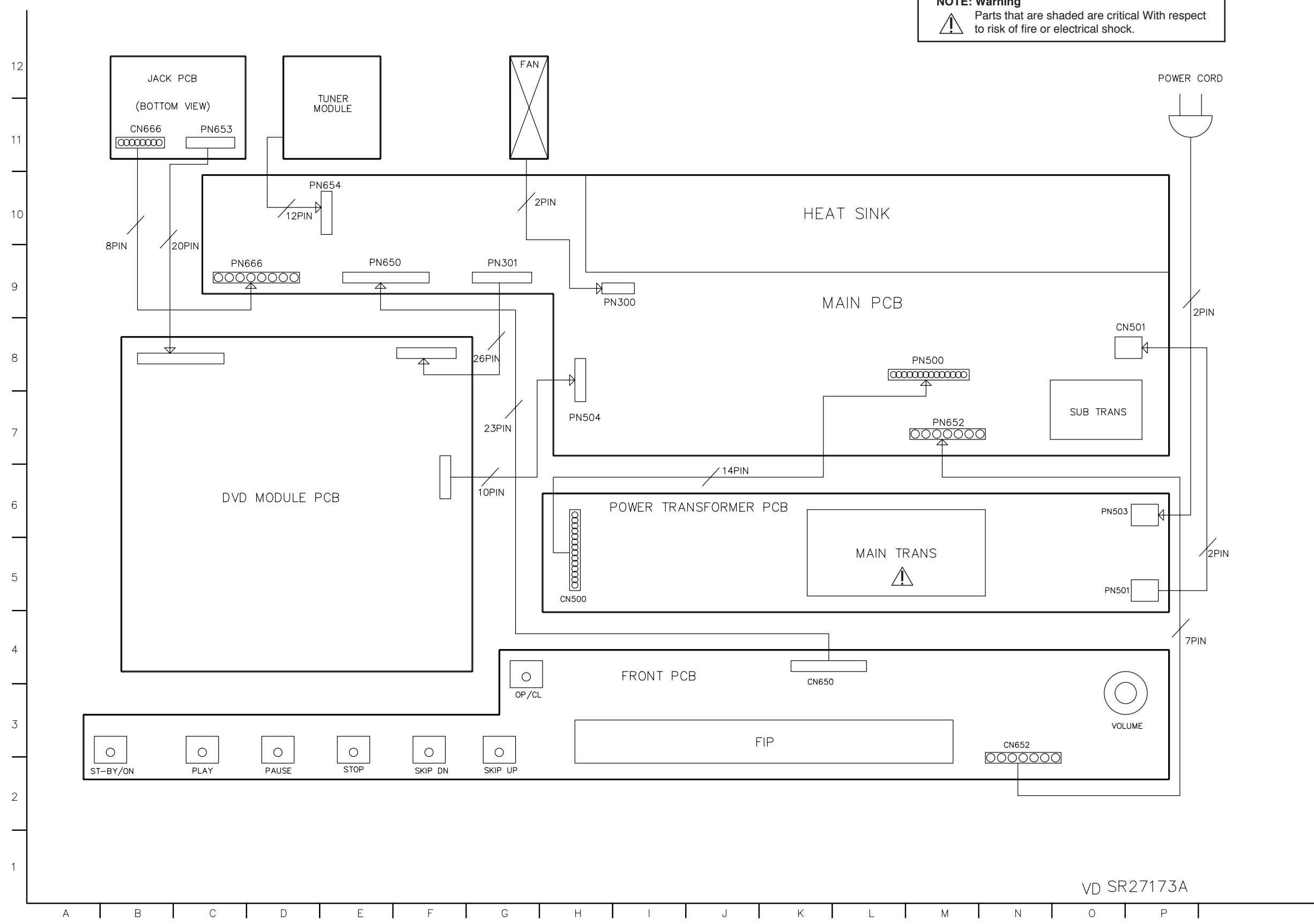
LOCATION GUIDE

BD501	L8	JK901	B5
C101	B10	JK902	B4
C102	B10	LF500	O3
C103	C9	PN500	M6
C105	E9	PN501	M3
C106	E8	PN503	O3
C107	F9	PN504	J11
C108	F7	PN505	H2
C109	G8	PN502	I2
C110	E8	PN503	D2
C111	F8	PN654	G11
C113	E5	PN666	G6
C114	E5	PT500	L3
C115	E5	PT501	O6
C116	D5	O502	J5
C117	E5	O503	P4
C118	E5	R101	B10
C119	C9	R102	B9
C120	E8	R103	E9
C121	E8	R104	E7
C501	I10	R105	E9
C502	J10	R106	E8
C503	I10	R107	F9
C504	J9	R108	F7
C505	K9	R109	E9
C506	N9	R110	E8
C507	N9	R111	F9
C508	L9	R112	F8
C509	L9	R113	F5
C510	J7	R114	E4
C511	K7	R115	D5
C512	J6	R116	C6
C513	K6	R117	C6
C514	K6	R118	C6
C515	K6	R125	F2
C516	L7	R126	F2
C517	L7	R132	G2
C519	J5	R133	G2
C520	J4	R134	G2
C521	K5	R137	G3
C522	L6	R138	H3
C527	J3	R139	D10
C528	J2	R140	C9
C529	L3	R141	E9
C531	G10	R142	E8
C532	J10	R145	J10
C652	J5	R146	O5
C900	C4	R149	C10
C901	C4	R150	C10
C902	D4	R501	K7
C903	B4	R502	J5
C904	B3	R503	J5
CN500	M6	R505	K3
CN501	M3	R506	O4
CN666	G5	R507	P4
D100	B9	R508	P5
D101	B9	R509	P5
D500	I10	R511	K2
D501	K7	R679	I4
D502	K7	SW500	P5
D503	K7	ZD501	J4
D504	K7	ZD502	J2
D505	K5	ZD503	P5
D506	K5	ZD503	P5
D507	K6	ZD650	I5
D508	L3		
D509	K3		
D510	K3		
D511	K6		
D512	I10		
D513	J8		
D514	J9		
F500	N6		
F501	N6		
F502	N6		
F503	N6		
F504	P5		
IC101	F9		
IC102	D6		
IC103	D10		
IC500	J9		
IC501	K9		
IC502	N9		
IC503	N9		
IC504	J8		
IC505	J6		
IC506	J7		
IC507	J3		
J501	K4		
J502	L4		
J503	O3		
J504	O3		
J505	P6		
J506	P6		
J507	P6		
J508	O5		
J509	L9		
J510	O5		
JK101	B10		

SCHEMATIC(POWER)
 LH-D6230
 03.03.10 SR17173A

WIRING DIAGRAM

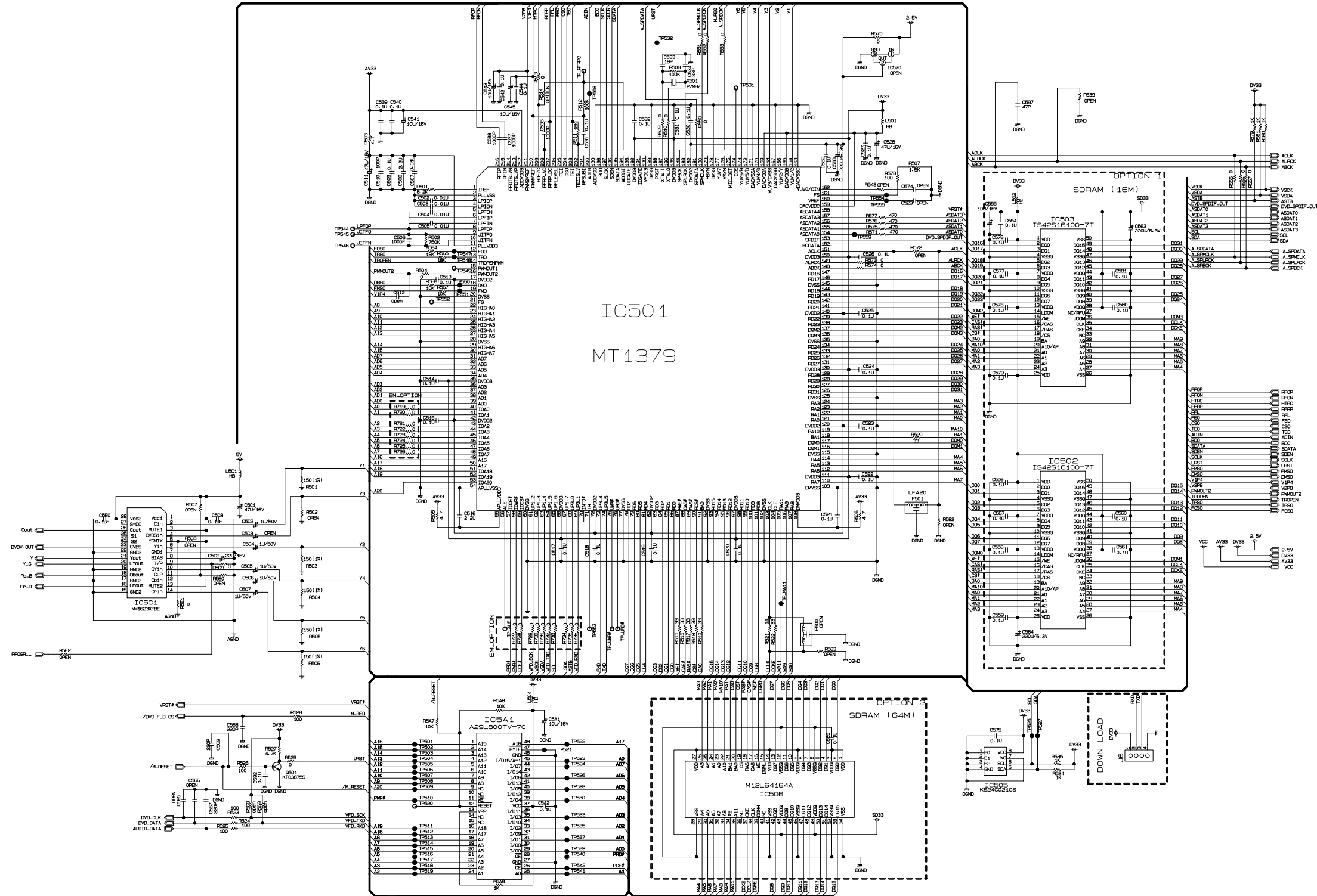
NOTE: Warning
 Parts that are shaded are critical With respect to risk of fire or electrical shock.



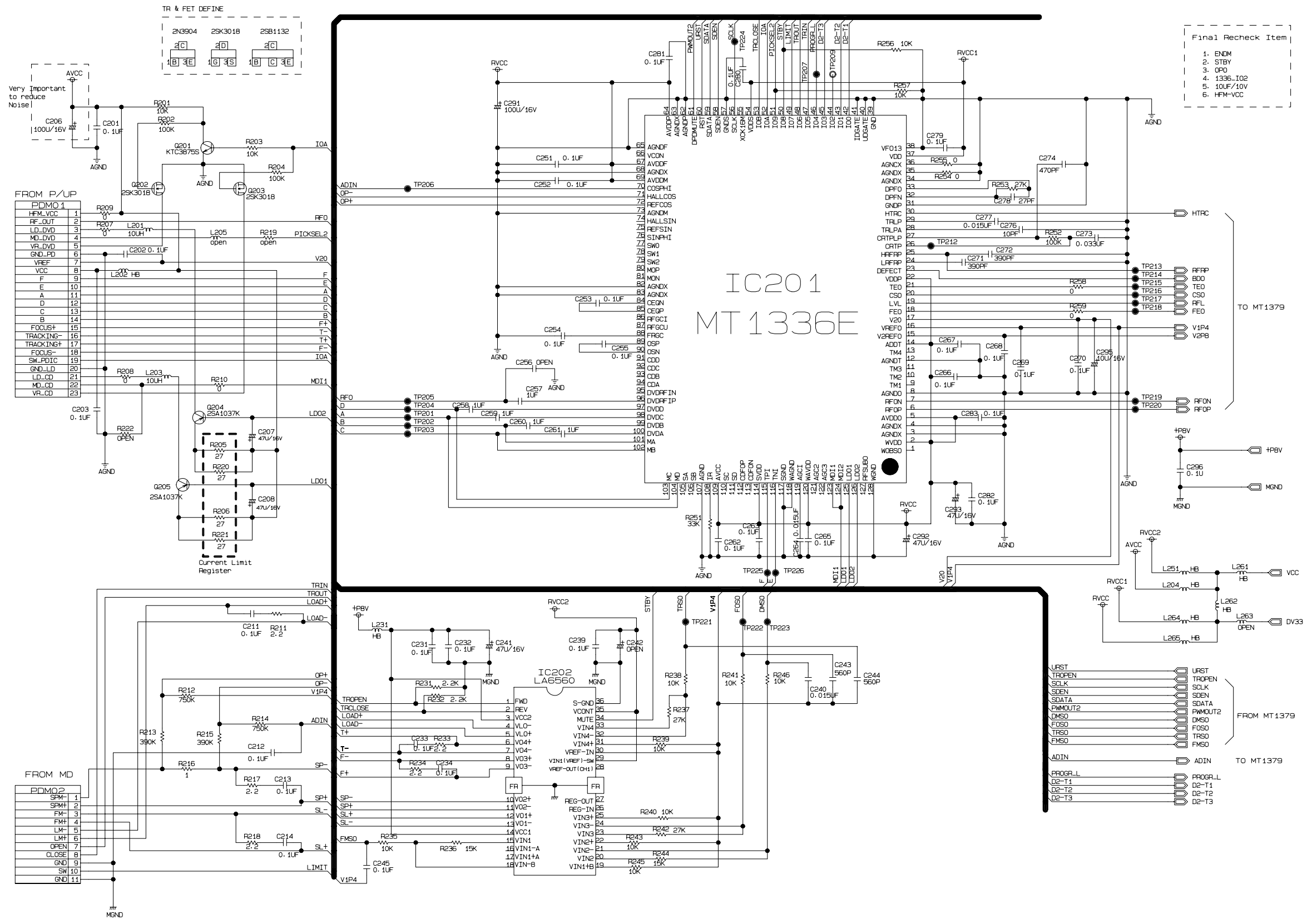
VD SR27173A

□ DVD PART SCHEMATIC DIAGRAMS

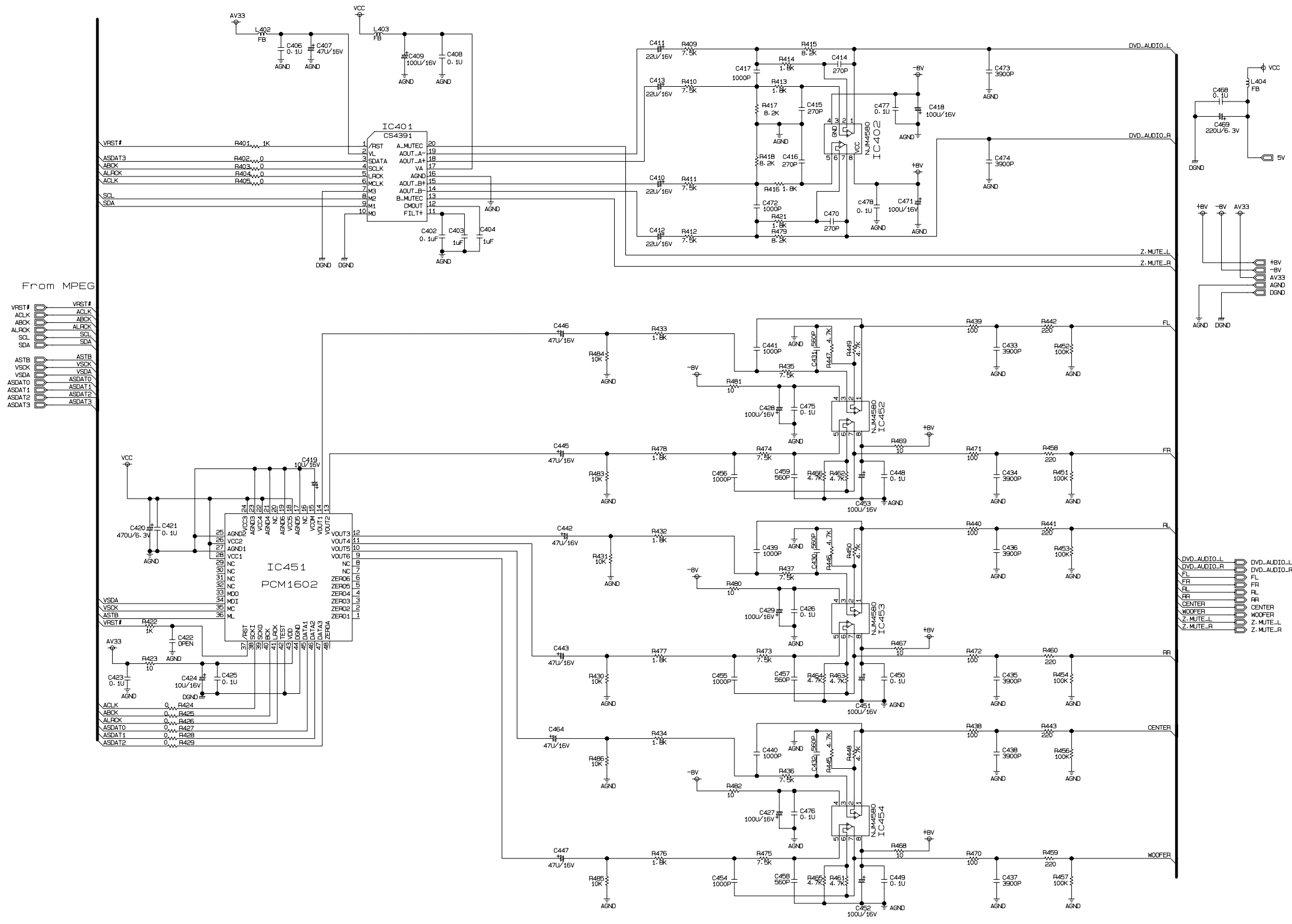
• MPEG SCHEMATIC DIAGRAM



• SERVO SCHEMATIC DIAGRAM



• AUDIO SCHEMATIC DIAGRAM



• INTERFACE SCHEMATIC DIAGRAM

