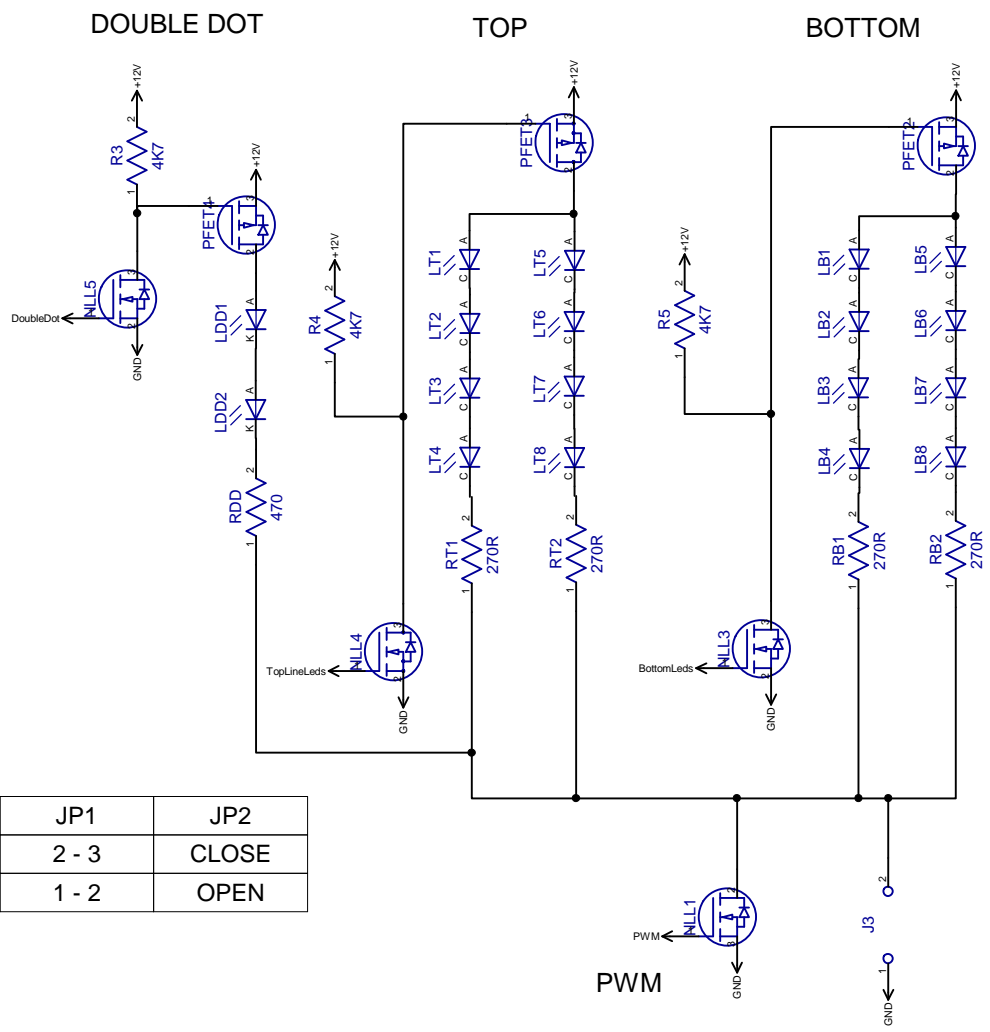


Digit 1-3	JP1	JP2
Digit 4-6	2 - 3	CLOSE
	1 - 2	OPEN



PWM

J3