

Percussion Drill - 3 601 A9C 700 - GSB 21-2 RCT

www.powertools-aftersaleservice.com



BOSCH

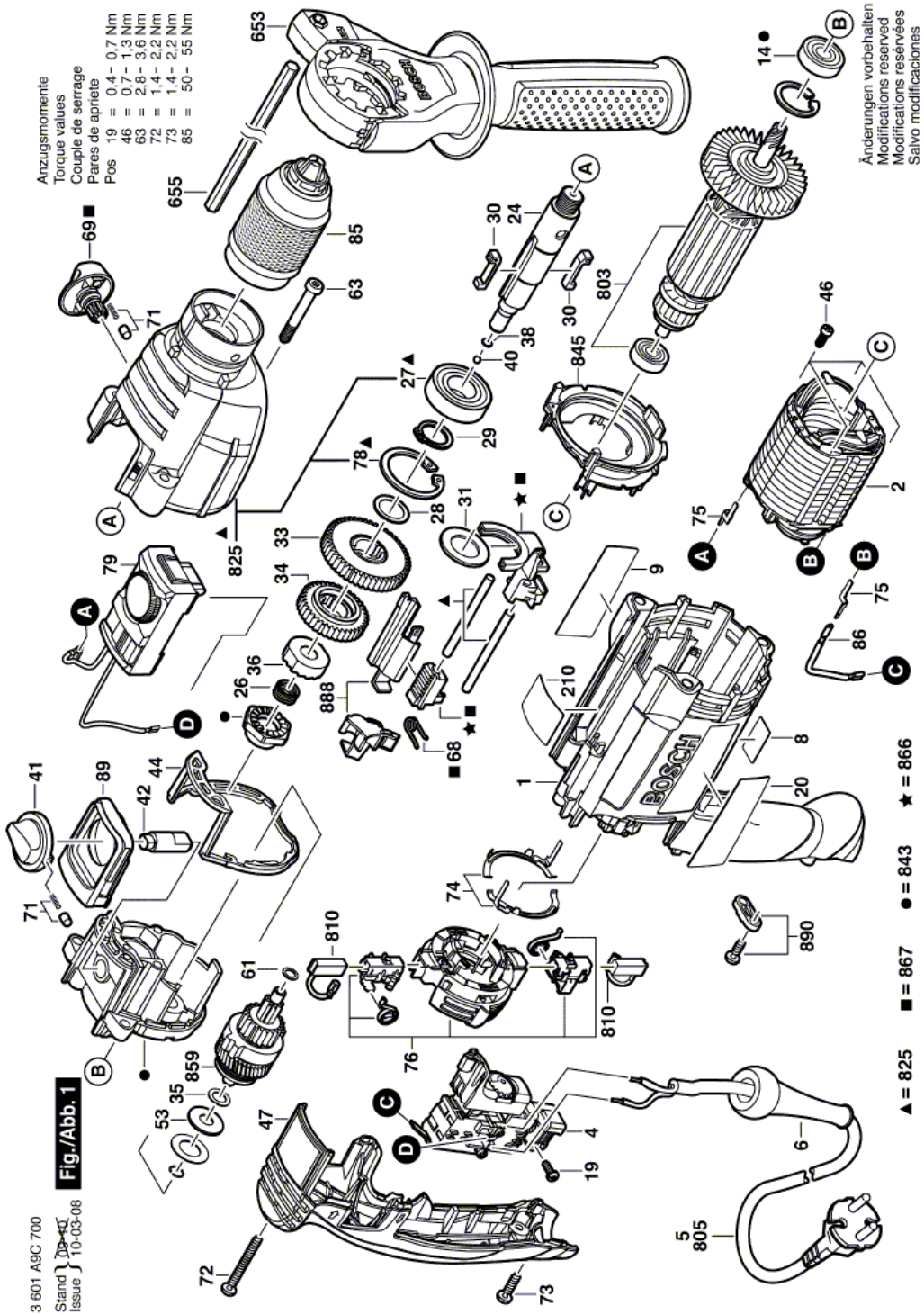
Item	Part Number	Description	Illustration	Price	Quantity	Price Group
1	2 605 105 142	Motor Housing		£13,80	1	31
2	2 604 220 729	Field		£13,80	1	31
4	2 607 200 679	On-Off Switch		£20,20	1	34
6	2 600 707 075	Cable Sleeve		£1,20	1	13
8	2 601 115 956	Nameplate		£1,20	1	13
9	2 601 115 962	Manufacturer's Nameplate		£1,20	1	13
14	2 600 905 095	Deep-Groove Ball Bearing		£6,00	1	24
19	2 603 490 017	Torx Oval-Head Screw		£0,45	1	10
20	2 601 115 957	Reference Plate		£1,20	1	13
24	2 606 135 148	Drilling Spindle		£13,80	1	31
26	2 604 616 013	Compression Spring		£0,70	1	11
27	1 900 905 163	Deep-Groove Ball Bearing		£5,35	1	23
28	2 600 100 695	Shim		£0,70	1	11
29	2 916 650 008	Spring retaining ring		£0,70	1	11
30	2 602 300 032	Flat Key		£1,75	2	15
31	2 600 101 671	Retaining Washer		£0,70	1	11
33	2 606 317 086	Cylindrical Gear		£4,05	1	21
34	2 606 317 085	Cylindrical Gear		£4,75	1	22
35	2 600 101 047	Shim		£0,70	2	11
36	2 600 190 105	Catch Disk		£1,75	1	15
38	2 600 000 021	Shim Ring		£0,70	1	11
38	2 600 000 030	Shim Ring		£0,70	1	11
38	2 600 000 031	Shim Ring		£0,70	1	11
40	1 903 230 009	Ball		£0,45	1	10
40	1 903 230 010	Ball		£0,45	1	10
40	2 603 230 007	Ball		£0,45	1	10
41	2 602 026 168	Rotary Knob		£1,00	1	12
42	2 603 120 064	Control Shaft		£1,30	1	14
44	2 601 015 091	Seal		£1,75	1	15
46	2 603 435 086	Tapping Screw		£0,45	4	10
47	2 605 132 070	Housing Cover		£6,55	1	25
53	2 600 550 008	Disc Spring		£0,70	1	11
61	2 600 100 607	Shim		£0,70	1	11

Item	Part Number	Description	Illustration	Price	Quantity	Price Group
63	2 603 435 085	Headless Screw	1	£0,45	3	10
68	2 604 616 014	Compression Spring	1	£0,45	1	10
69	2 602 026 117	Rotary Knob	1	£1,00	1	12
71	2 600 590 006	Ratchet Cap	1	£0,70	2	11
72	2 603 490 027	Torx Oval-Head Screw	1	£0,45	1	10
73	2 603 490 022	Torx Oval-Head Screw	1	£0,45	2	10
74	2 601 324 062	Switch Contact	1	£0,70	2	11
75	2 601 099 182	Male Connector	1	£0,45	2	10
76	1 614 336 061	Brush Plate	1	£9,50	1	28
78	2 916 660 014	Spring retaining ring	1	£1,20	1	13
79	2 607 230 134	Speed governor	1	£30,20	1	38
85	2 608 572 143	Keyless Chuck	1	£46,90	1	43
86	1 614 448 014	Connecting Cable	1	£0,70	1	11
89	2 605 510 206	Bulb Shield	1	£1,20	1	13
210	2 601 115 906	Reference Plate	1	£1,20	1	13
653	2 602 025 184	Auxiliary Handle	1	£13,80	1	31
655	1 613 001 009	Depth-Gauge	1	£1,75	1	15
803	2 604 011 922	Armature	1	£37,10	1	40
805	1 607 000 386	Power supply cord	1	£7,40	1	26
810	1 617 000 525	Carbon-Brush Set	1	£5,35	1	23
825	2 605 806 882	Gear Housing	1	£24,50	1	36
843	2 605 700 946	Bearing Bracket	1	£20,20	1	34
845	2 600 148 016	Air-Deflector Ring	1	£1,30	1	14
859	2 606 309 941	Transmission	1	£27,30	1	37
866	2 602 033 018	Adjusting Slide	1	£1,75	1	15
867	2 606 308 925	Toothed rack	1	£2,00	1	16
888	2 601 328 900	Holding Plate	1	£1,30	1	14
890	2 607 001 305	Fastening parts kit	1	£1,30	1	14

Product information Percussion Drill - 3 601 A9C 700 - GSB 21-2 RCT

Product No	3 601 A9C 700
Description	251.666; Percussion Drill
DIN-Text	
ID_Text_Ext	0
Trading_Description	GSB 21-2 RCT
Voltage_1	230 V
ID_Country_Product	EU

Illustration - Type E



Information subject to change without further notice.