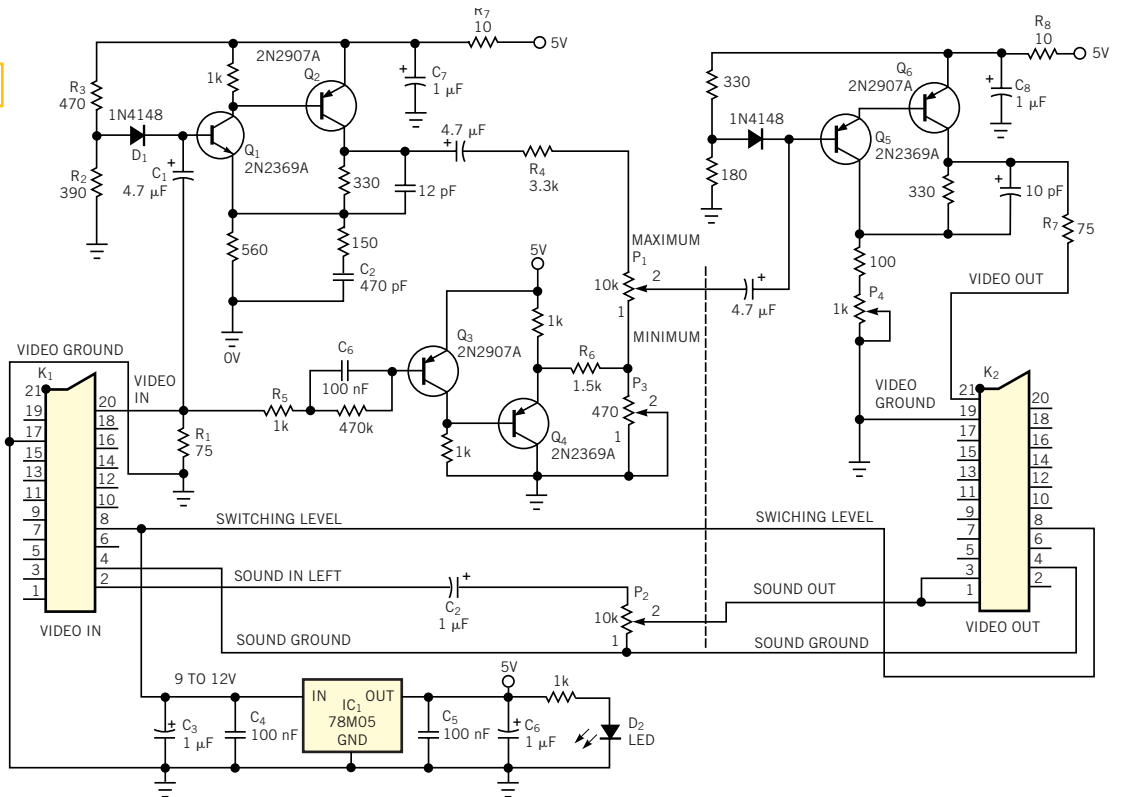


Figure 2



A handful of transistors and associated components yields a professional-quality video fader.