

SPECIFICATIONS

No. _____

STK442-110

2000.06.05

TENTATIVE

1. Case Outline 14Pins (See attached outline drawing)
2. Function class AB 2 channels AF power amplifier
3. Application 70W audio use
4. Maximum Ratings / Ta=25deg.

| Item | Symbol | Conditions | Ratings | Unit |
|--|------------|---|-------------|--------|
| Power Supply Voltage 1 | Vcc max(1) | No signal | +61.5 | V |
| Power Supply Voltage 2 | Vcc max(2) | Signal ,RL=8ohm ,6ohm | +54 | V |
| Thermal Resistance | Theta j-c | Per one power TR | 1.9 | deg./W |
| Junction Temperature | Tj max | | 150 | deg. |
| Operating Substrate Temperature | Tc max | | 125 | deg. |
| Storage Temperature | Tstg | | -30 to +125 | deg. |
| Available Time for Load Short-circuit *4 | ts | Vcc=+38V,RL=6ohm,f=50Hz Po=70W,1ch drive | 0.3 | s |

5. Operating Characteristics

Tc=25deg.,RL=6ohm(Non-inductive Load),Rg=600ohm,VG=30dB

| Item | Symbol | Conditions *2 | | | | Ratings | | | Unit | |
|------------------------------|--------|---------------|-----------|--------|---------|-------------|-----------|------|-------|----|
| | | V (V) | f (Hz) | Po (W) | THD (%) | MIN. | TYP. | MAX. | | |
| Output Power *1 | Po1 | +38 | 20 to 20k | | 0.4 | 70 | | | W | |
| | Po2 | +38 | 1k | | 10 | | 110 | | | |
| THD *1 | THD | +38 | 20 to 20k | 70 | | | 0.2 | | % | |
| Frequency Characteristics *1 | fL,fH | +38 | | 1.0 | | +0 -3 dB | 20 to 50k | | Hz | |
| Input Impedance | ri | +38 | 1k | 1.0 | | | 55 | | kohm | |
| Output Noise Voltage *3 | VNO | +46 | | | | Rg=2.2 kohm | | 1.0 | mVrms | |
| Quiescent Current | Icco | +46 | | | | | | 80 | mA | |
| Output Neutral Voltage | VN | +46 | | | | | -70 | 0 | +70 | mV |

*Specifications and information herein are subject to change without notice.

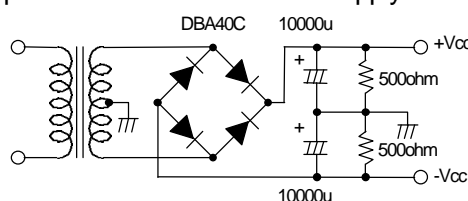
Note *1.1ch Drive

*2.All tests are measured using a constant-voltage supply unless otherwise specified.

*3.The output noise voltage is peak value of an average-reading meter with a rms value scale(VTVM).
A regulated AC supply(50Hz) should be used to eliminate the effects of AC primary line flicker noise.

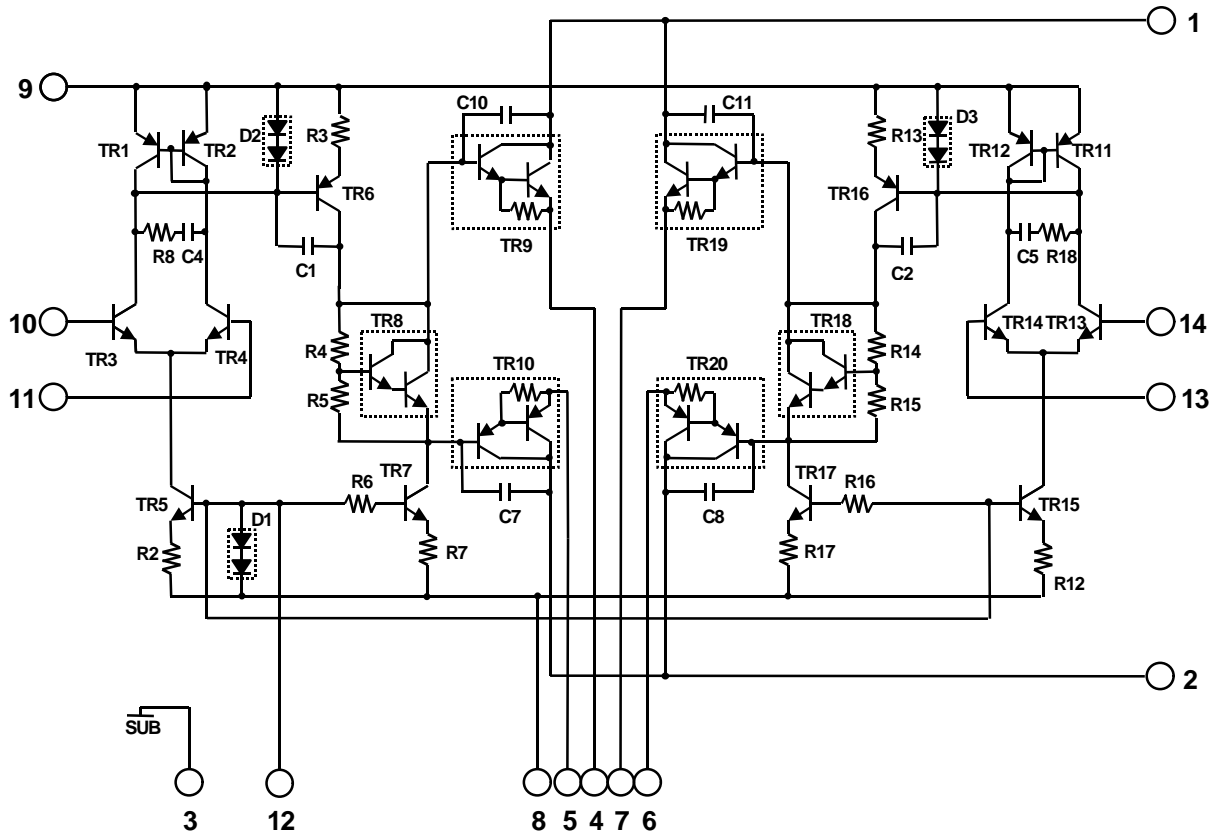
*4.Available time for load short-circuit and output noise voltage are measured using the specified transformer power supply.

Specified Transformer Power Supply

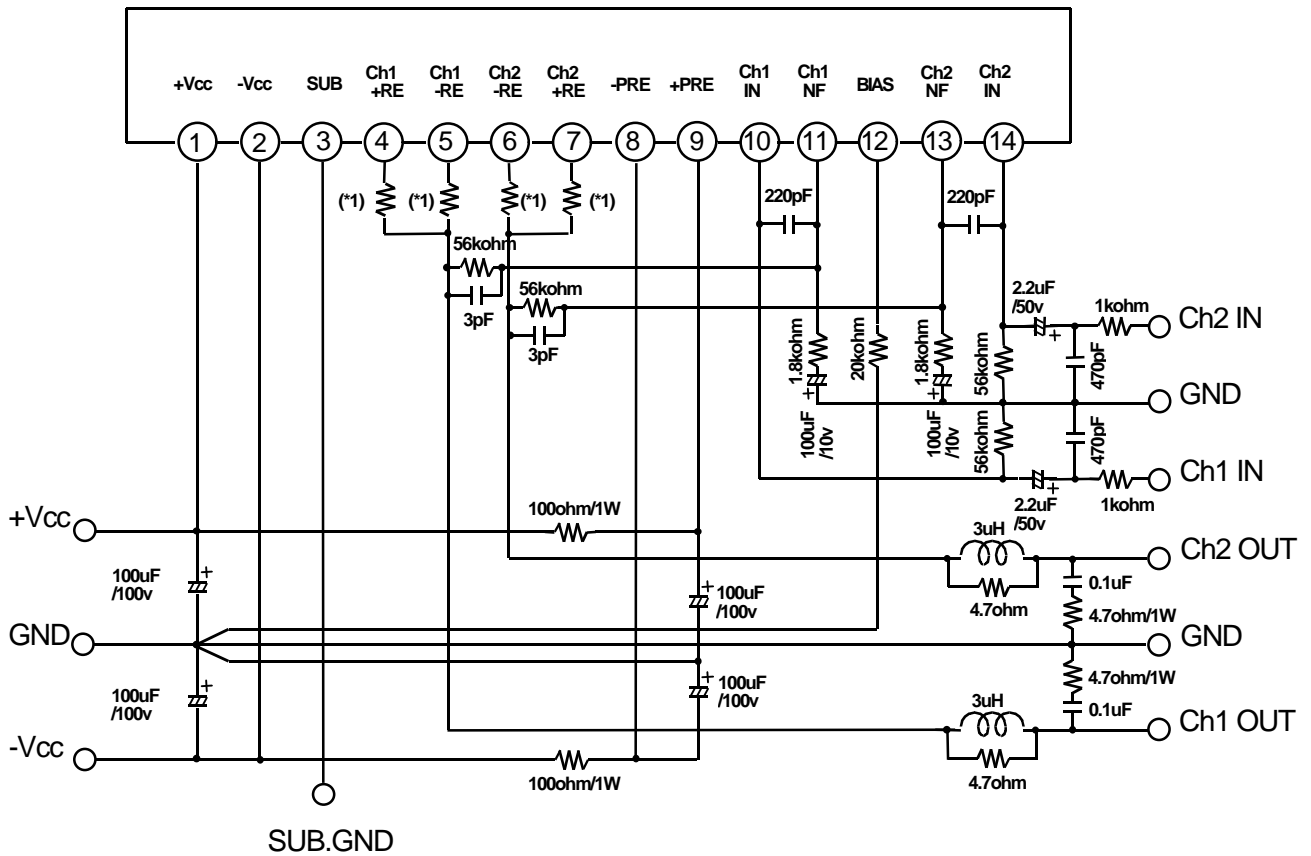


(Equivalent to MG-250)

Equivalent Block Diagram



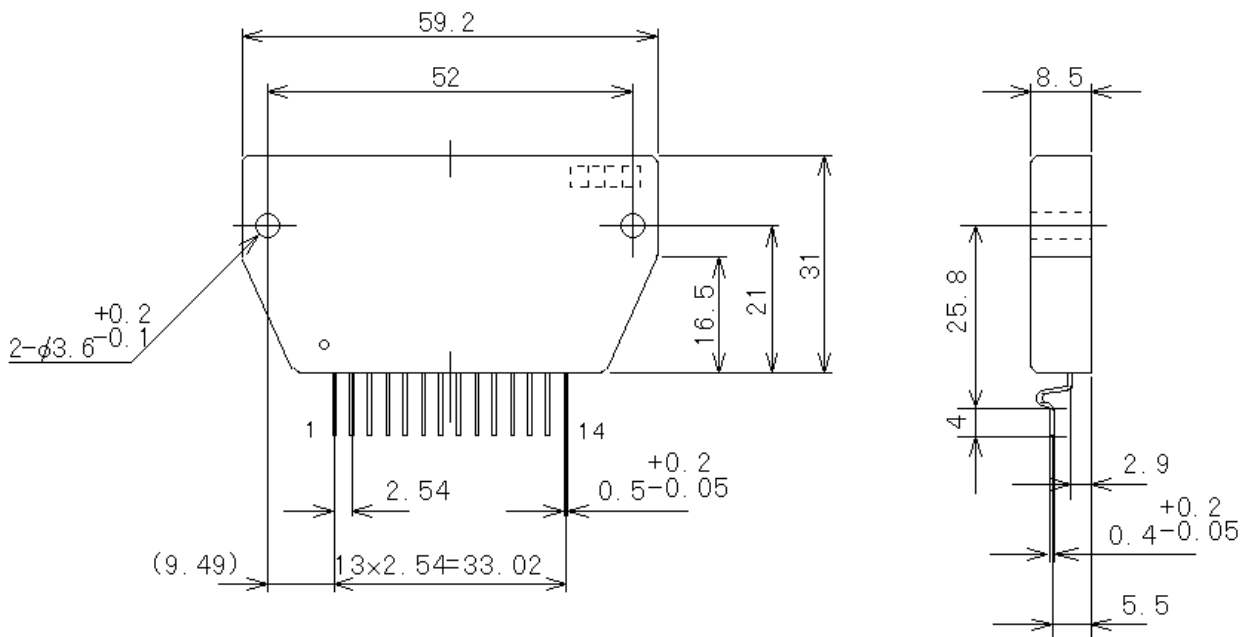
Test Circuit



(*1)Metal Plate Cement Resistor 0.22ohm+-10%(5W)

Case Outline

Unit:mm



- * No production described or contained herein are intended for use in surgical implants, life-support systems, aerospace equipment, nuclear power control systems, vehicles, disaster/crime-prevention equipment and the like, the failure, of which may directly or indirectly cause injury, death or property loss
- * Anyone purchasing any products described or contained herein for an above-mentioned use shall:
 1. Accept full responsibility and indemnify and defend SANYO ELECTRIC CO.,LTD., its affiliates, subsidiaries and distributors and all their officers and employees, jointly and severally, against any and all claims and litigation and all damage, cost and expenses associated with such use:
 2. Not impose any responsibility for any fault or negligence which may be cited in any such claim or litigation on SANYO ELECTRIC CO.,LTD., its affiliates, subsidiaries and distributors or any of their officers and employees jointly or severally.
- * Information (including circuit diagrams and circuit parameters) herein is for example only ; it is not guaranteed for volume production. SANYO believes its use or any infringements of intellectual property rights or other rights of third parties.

This catalog provides information as of June,2000. Specifications and information herein are subject to change without notice.