

5. SCHEMATIC CIRCUIT DIAGRAM (GM-1200/EW, ES)

A

B

C

D

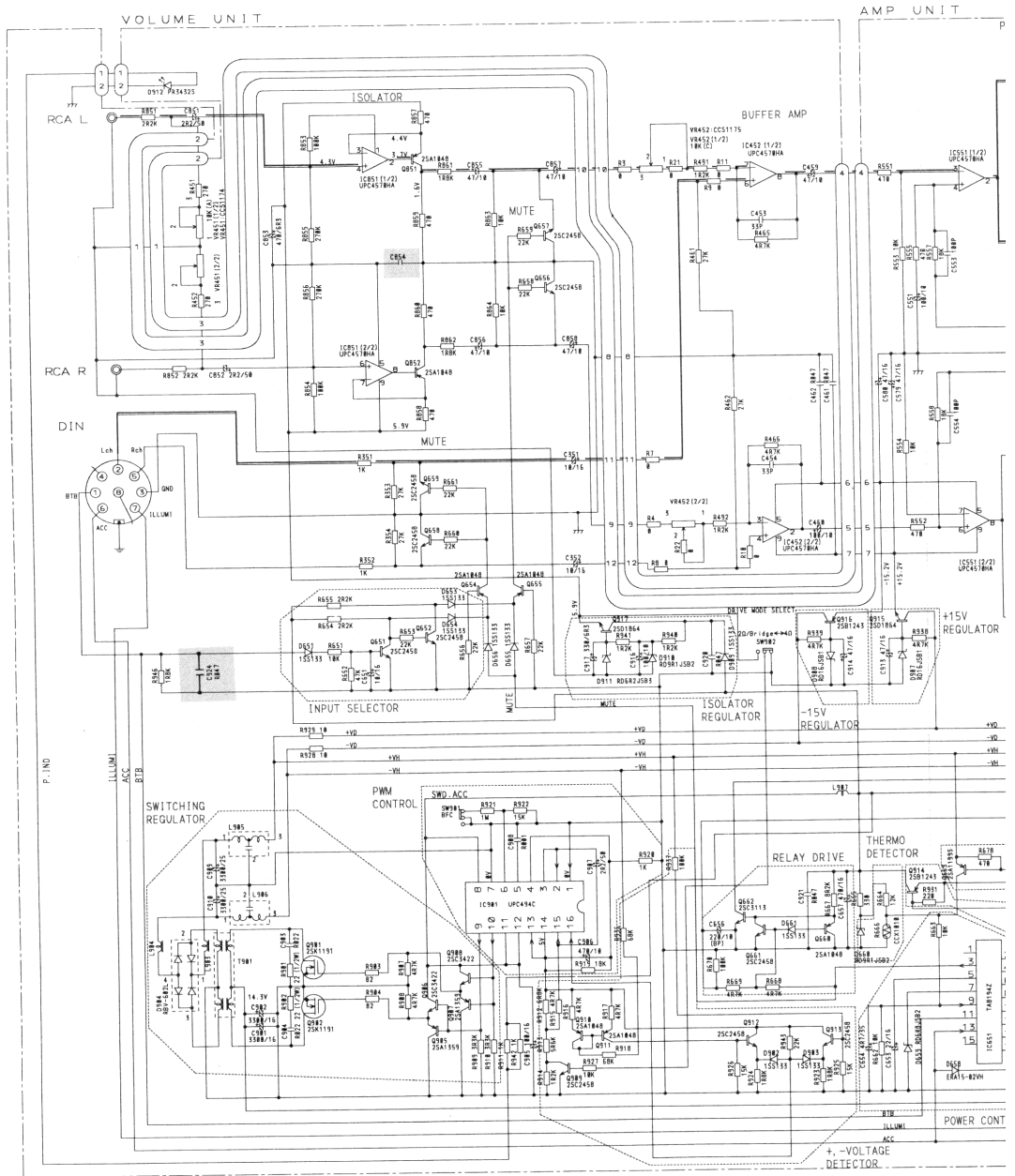


Fig. 5

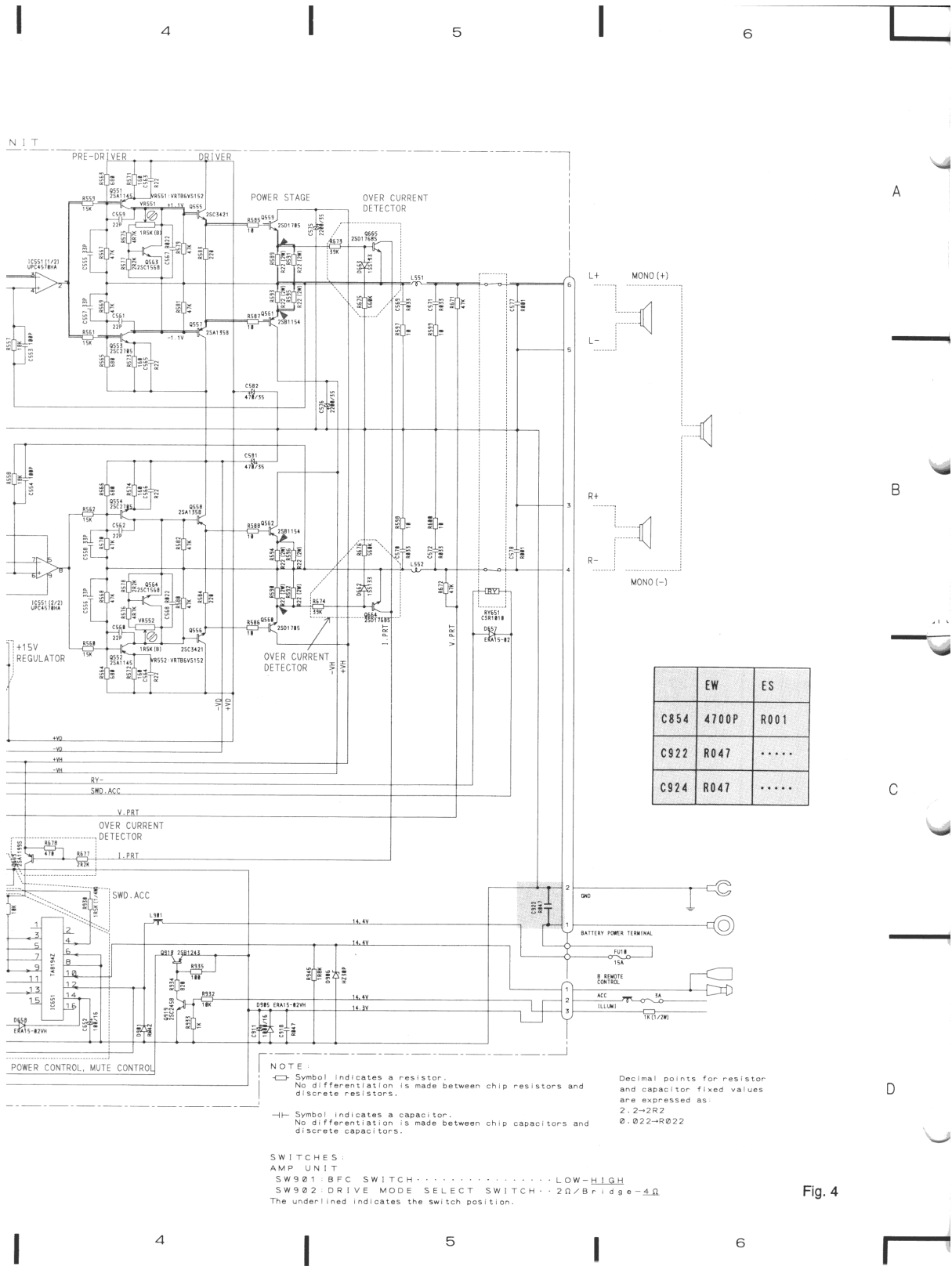


Fig. 4