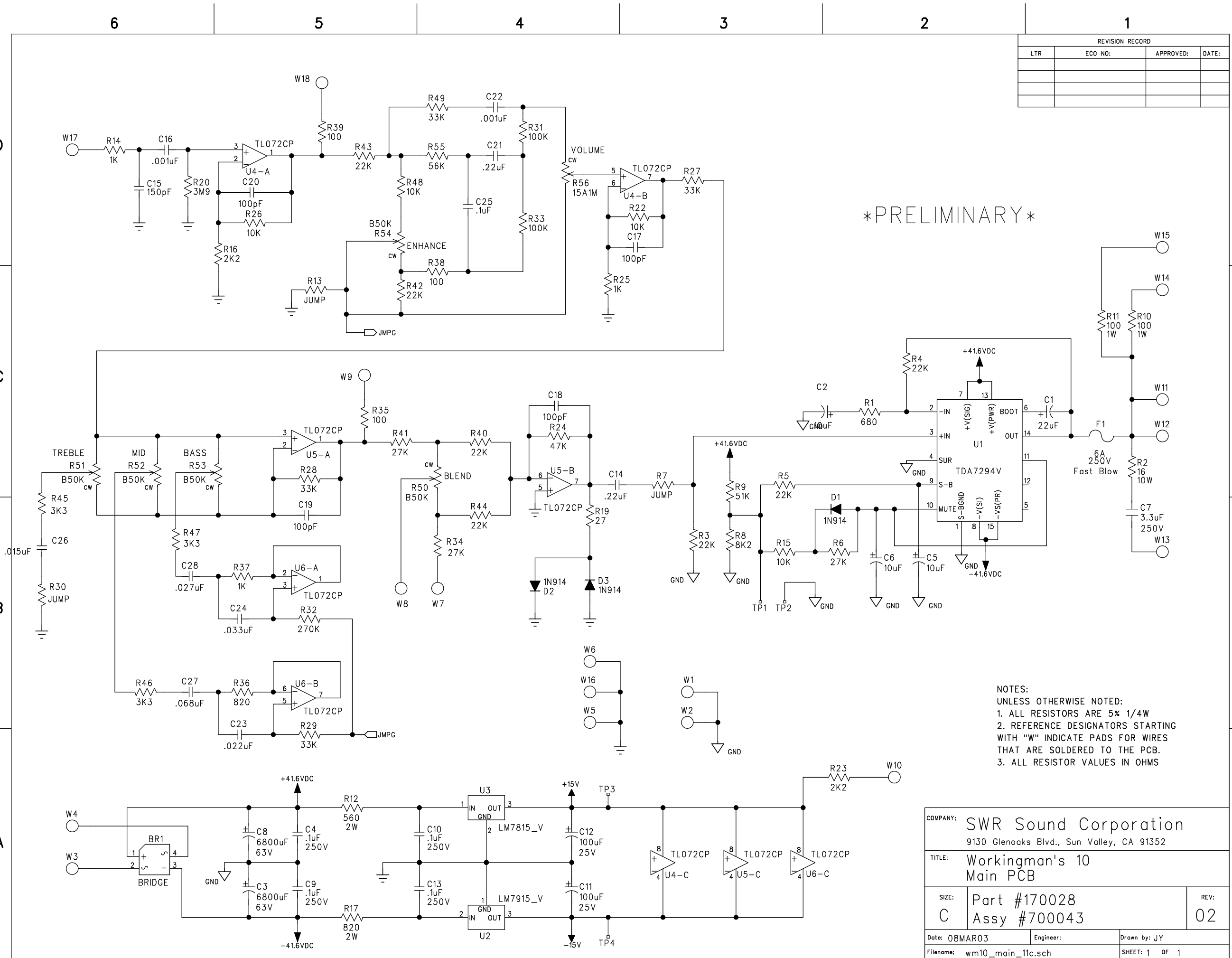


REVISION RECORD			
LTR	ECO NO:	APPROVED:	DATE:



PRELIMINARY

- NOTES:
 UNLESS OTHERWISE NOTED:
 1. ALL RESISTORS ARE 5% 1/4W
 2. REFERENCE DESIGNATORS STARTING WITH "W" INDICATE PADS FOR WIRES THAT ARE SOLDERED TO THE PCB.
 3. ALL RESISTOR VALUES IN OHMS

COMPANY: SWR Sound Corporation 9130 Glenoaks Blvd., Sun Valley, CA 91352	
TITLE: Workingman's 10 Main PCB	
SIZE: Part #170028	REV: 02
C Assy #700043	
Date: 08MAR03	Engineer: Drawn by: JY
Filename: wm10_main_11c.sch	SHEET: 1 OF 1