

BUS-2  
B+

**SCHEMATIC DIAGRAM**  
**CHASSIS: SCT11B**  
**MODEL: CK5073Z, CK5073T**  
**BOARD NAME: MAIN**  
**FILE NAME: power**  
**POWER/VERTICAL/HORIZONTAL/CRT BLOCK**

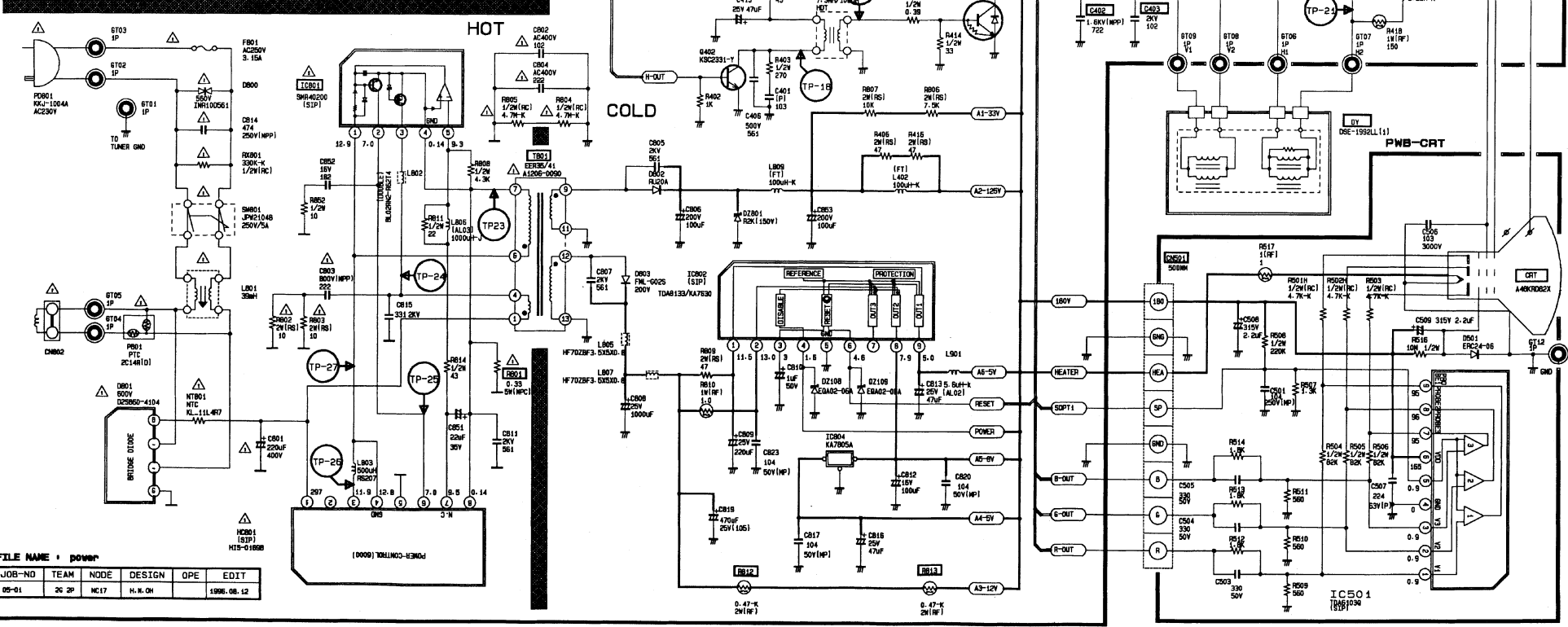
**INCH OPTION**

LOC-NO	141INCH	20INCH	21INCH
IC215	1/2T 5.1F	1/2T 5.5K	1/2T 5.8K
IC206	NO RT 68L	NO RT 68L	NO RT 431
IC309	1/2T 91K-F	1/2T 91K-F	1/2T 86K-F
IC407	1/2T 120K-F	1/2T 110K-F	1/2T 110K-F
IC411	1/2T 120K-F	1/2T 110K-F	1/2T 110K-F
IC417	RF 2T 1.8	RF 1T 0.47	RF 1T 0.47
IC801H	DELETE	RC 1/2T 4.7K	RC 1/2T 4.7K
IC801H	RC 1/2T 4.7K	DELETE	DELETE
IC802H	DELETE	RC 1/2T 4.7K	RC 1/2T 4.7K
IC802H	RC 1/2T 4.7K	DELETE	DELETE
IC402	CMP 1600V 63K	CMP 1600V 72Z	CMP 1600V 72Z
IC403	AC 2KV 331-K	AC 2KV 102-K	AC 2KV 561-K
IC404	CMP 400V 364	CMP 400V 434	CMP 400V 434
T444	FDC-144003	FSY-204001	FSY-204001
IC401	KS09071YD	KS09072YD	KS09072YD
IC601	B3485-B8 400M	B3485-B8 500M	B3485-B8 500M
V999	P114-S HI-B1	P125-S HI-B1	P125-S HI-B1
CRT	A34K9V42X	A4K4R082X	A51K4J63X
D.Y	DSE-1422FL	DSE-1992L(1)	DSE-2192L(1)
C.Y	NY-225 P122-S	NY-291 P125-1	NY-291 P125-1
CR4		470 SL	470 SL

**FREE VOLT or 220V ONLY OPTION**

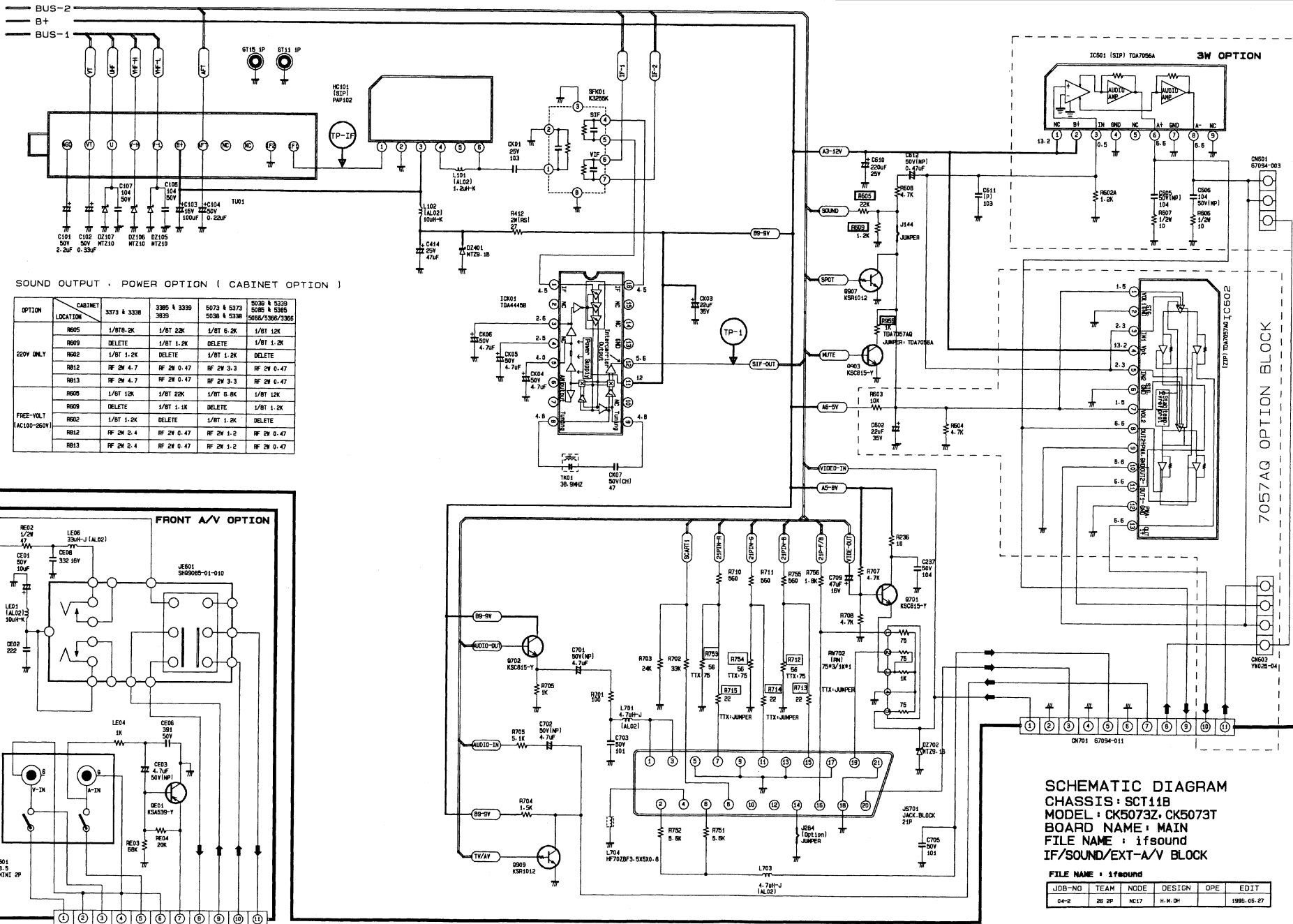
LOC-NO	FREE VOLT	220V ONLY
IC201	SM40000	SM40200
T801	A1295-0067	A1206-0090
R801	MPC 2W 0.2	MPC 2W 0.33
R808	1/2T 2.4K	1/2T 1.4.3K
H801	H150169A	H150169B

**micro ELECTRONIC**  
 Dragoljub Janjovic  
 microe@ptt.yu  
 031/512 402-514 582  
 www.microelectronic.co.yu



**FILE NAME: power**

JOB-NO	TEAM	NODE	DESIGN	OPR	EDIT
05-01	2C 2P	NC17	H. N. GN		1996.08.12



SOUND OUTPUT - POWER OPTION ( CABINET OPTION )

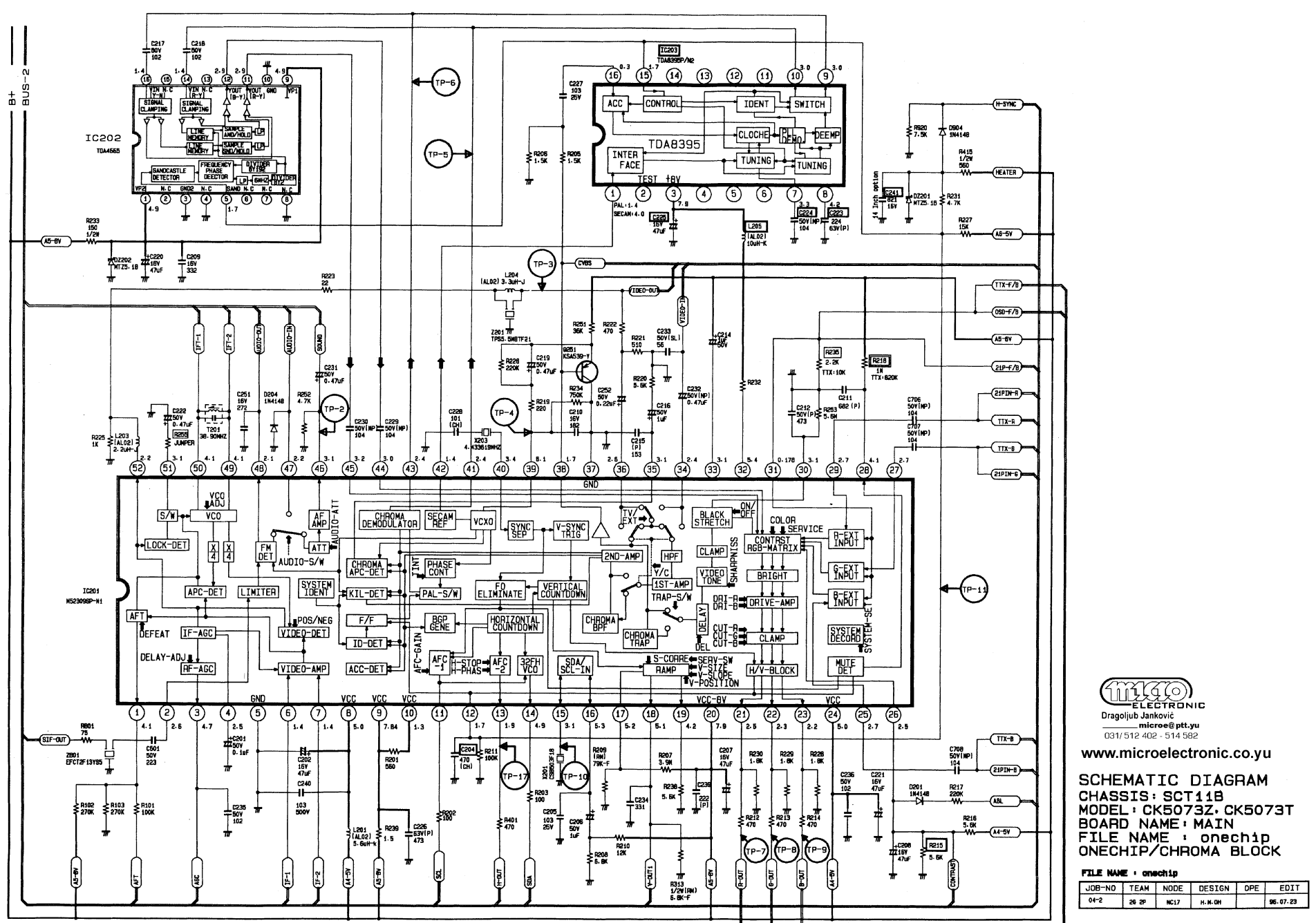
OPTION	CABINET LOCATION	3373 & 3338	3365 & 3339	5073 & 5373	5038 & 5338	5039 & 5339	5095 & 5395
220V ONLY	R605	1/8T 2.2K	1/8T 2.2K	1/8T 6.2K	1/8T 12K		
	R609	DELETE	1/8T 1.2K	DELETE	1/8T 1.2K	DELETE	
	R602	1/8T 1.2K	DELETE	1/8T 1.2K	DELETE		
	R812	RF 2W 4.7	RF 2W 0.47	RF 2W 3.3	RF 2W 0.47		
	R813	RF 2W 4.7	RF 2W 0.47	RF 2W 3.3	RF 2W 0.47		
FREE-VOLT (AC100-250V)	R605	1/8T 12K	1/8T 22K	1/8T 6.8K	1/8T 12K		
	R609	DELETE	1/8T 1.1K	DELETE	1/8T 1.2K	DELETE	
	R602	1/8T 1.2K	DELETE	1/8T 1.2K	DELETE		
	R812	RF 2W 2.4	RF 2W 0.47	RF 2W 1.2	RF 2W 0.47		
	R813	RF 2W 2.4	RF 2W 0.47	RF 2W 1.2	RF 2W 0.47		

FRONT A/V OPTION

**SCHEMATIC DIAGRAM**  
 CHASSIS: SCT11B  
 MODEL: CK5073Z, CK5073T  
 BOARD NAME: MAIN  
 FILE NAME: ifsound  
 IF/SOUND/EXT-A/V BLOCK

FILE NAME : ifsound

JOB-NO	TEAM	NODE	DESIGN	OPR	EDIT
04-2	28 2P	NC17	H.M. OH		1996-05-27



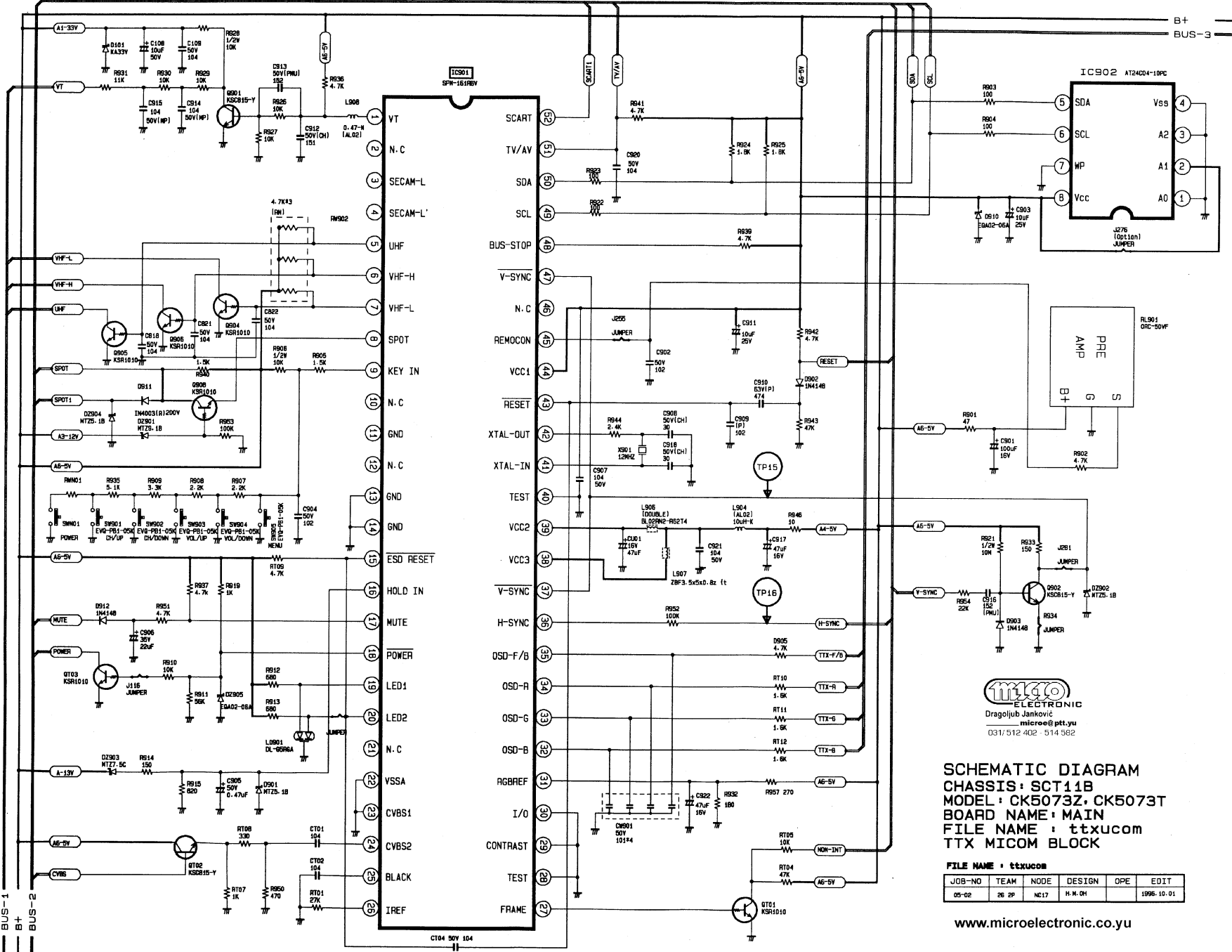
Dragoljub Janković  
microe@ptt.yu  
031/512 402 - 514 582

www.microelectronic.co.yu

**SCHEMATIC DIAGRAM**  
**CHASSIS: SCT11B**  
**MODEL: CK5073Z, CK5073T**  
**BOARD NAME: MAIN**  
**FILE NAME: onchip**  
**ONECHIP/CHROMA BLOCK**

FILE NAME: onchip

JOB-NO	TEAM	NODE	DESIGN	DPE	EDIT
04-2	26 DP	NC17	H.-H.OH		96.07.23

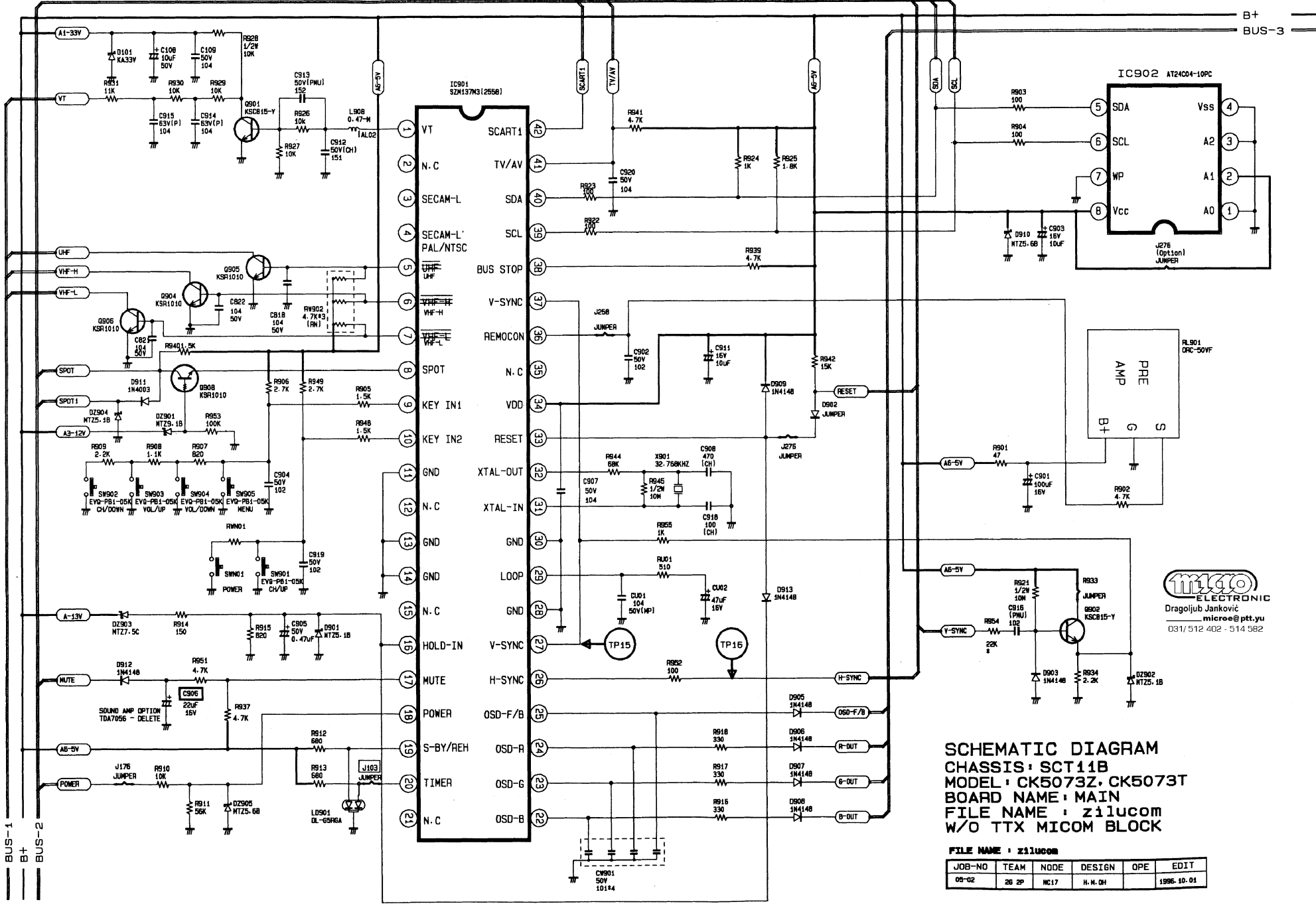


**micro**  
ELECTRONIC  
Dragoljub Janjovic  
microe@ptt.yu  
031/512.402 - 514.582

**SCHEMATIC DIAGRAM**  
CHASSIS: SCT11B  
MODEL: CK5073Z, CK5073T  
BOARD NAME: MAIN  
FILE NAME: ttxucom  
TTX MICOM BLOCK

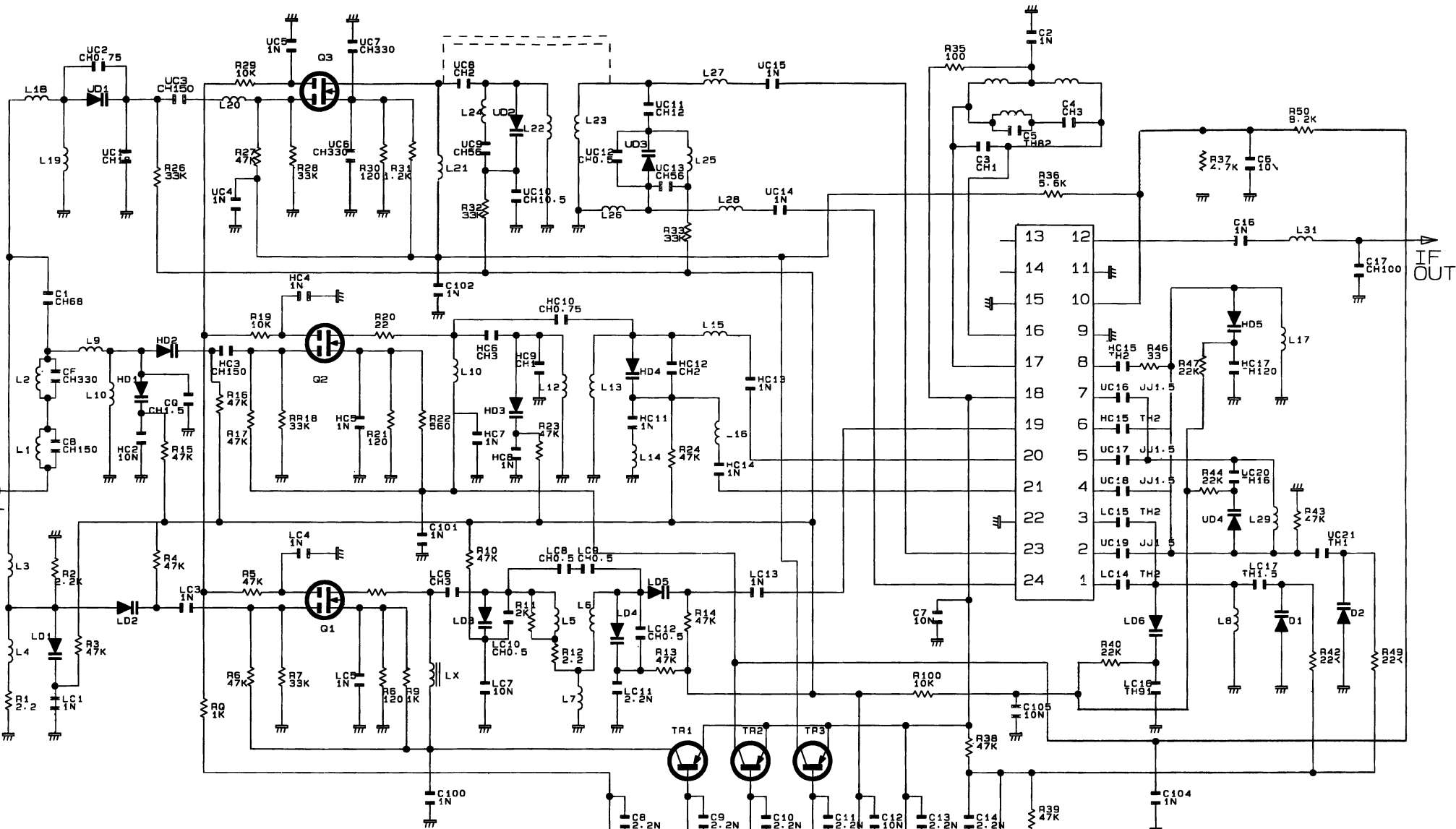
FILE NAME: ttxucom

JOB-NO	TEAM	NODE	DESIGN	OPE	EDIT
05-02	26	2P	ND17	H.N.OH	1996.10.01



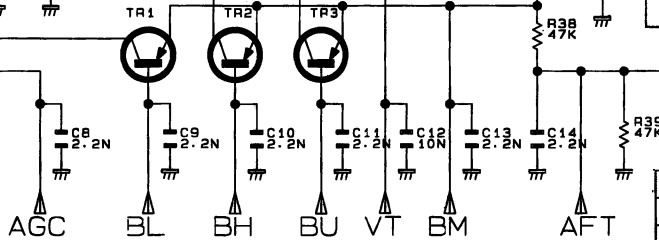
**micro ELECTRONIC**  
 Dragoljub Janković  
 micro@ptt.yu  
 031/512 402 - 514 582

**SCHEMATIC DIAGRAM**  
 CHASSIS : SCT11B  
 MODEL : CK5073Z, CK5073T  
 BOARD NAME : MAIN  
 FILE NAME : z11ucom  
 W/O TTX MICROM BLOCK



NOTES Semiconductors are as follows.

- \*Q1, Q2: 6F998R
- \*Q3: 35K238
- \*IC: TDA5637T
- \*LD1, LC3, LD4, LD6: SJ199, HVU300A
- \*HD1, HD2, HD3, HD4, HD5: SD198
- \*D1, D2, LD2, LD5: SD197
- \*UD1, UD2, UD3, UD4: SD197
- \*TR1, TR2, TR3: RN2405, TDA123JK



SIGNATURES		DATE	1994. 05. 06
DRAWN J. S. PARK		95	
CHECKED			TITLE TECC2989VD28A
ISSUED			
SIZE A3		DWG. NO.	SHEET OF