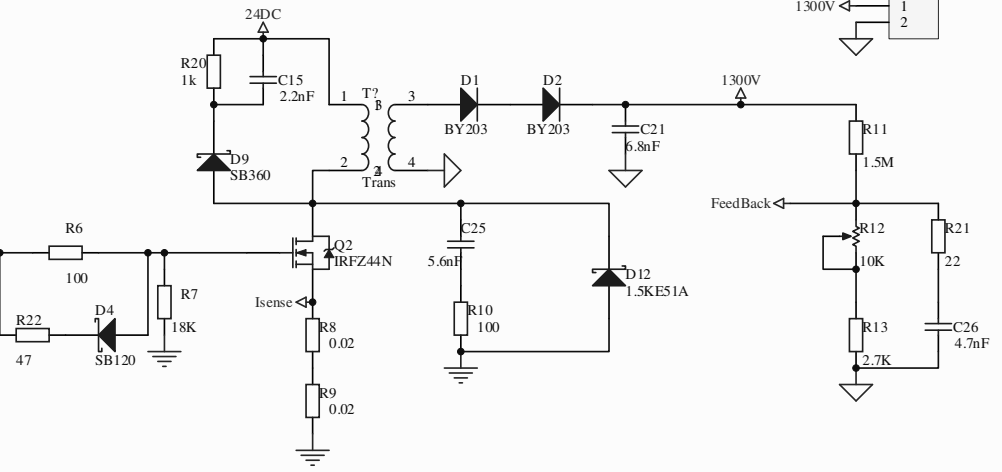
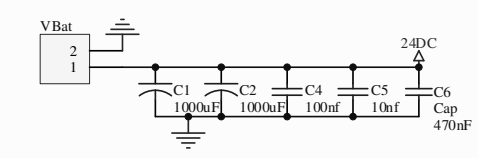
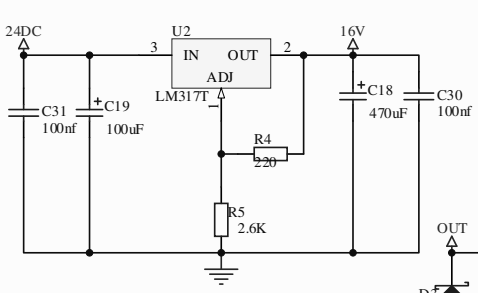
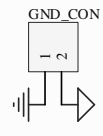
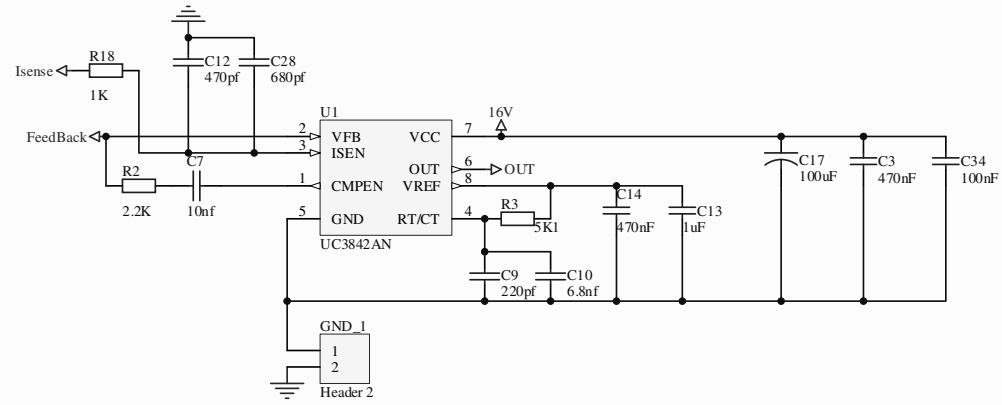


**Lp=14uH , Np=9 ,  
Ns=600, Ls=85 mH ,  
Ipk=14A ,  
Bmax=100mT ,**



Title		
Size	Number	Revision
A		
Date:	2/15/2010	Sheet of
File:	G:\Desktop\...\Fly1300v1.SCHDOC	Drawn By: