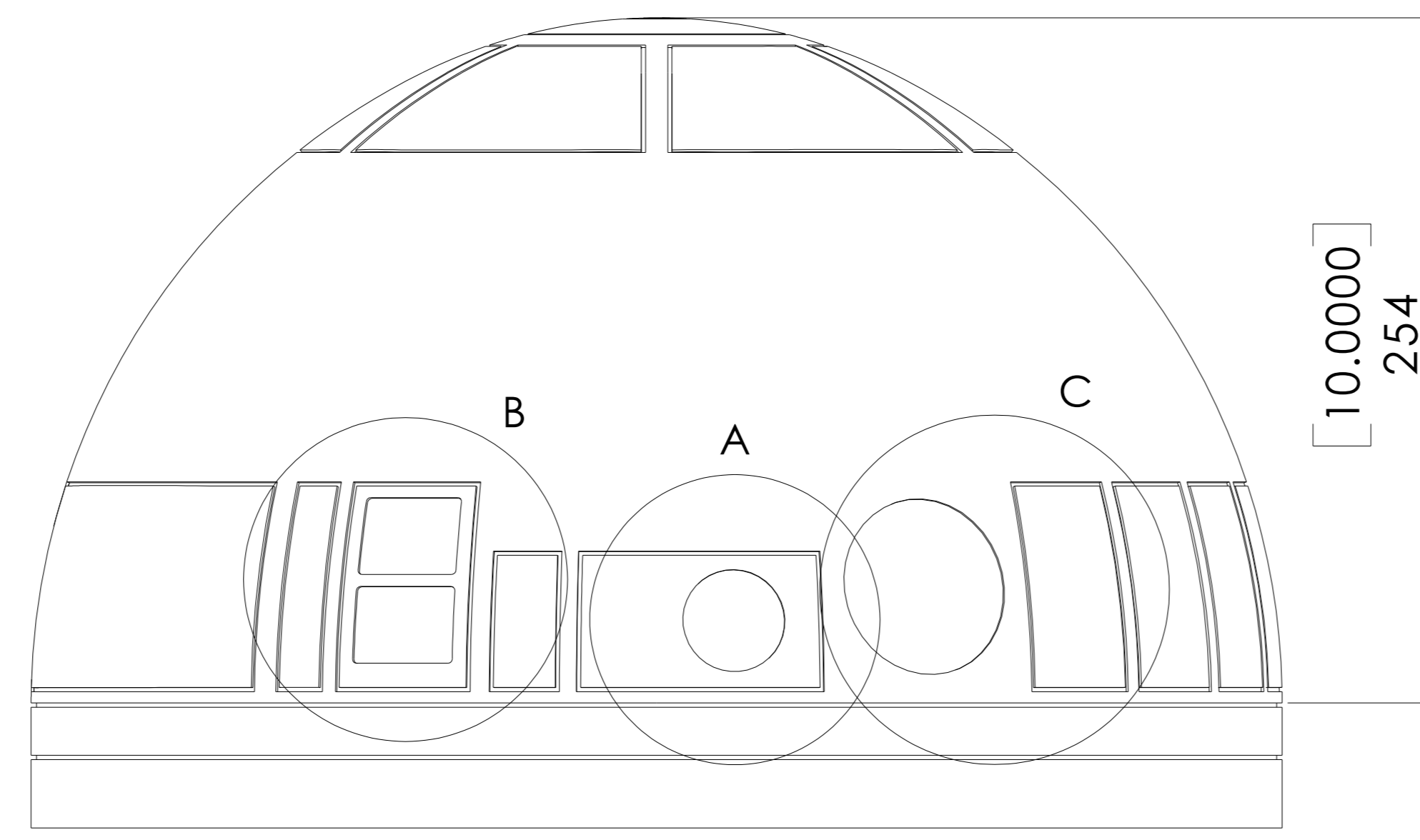
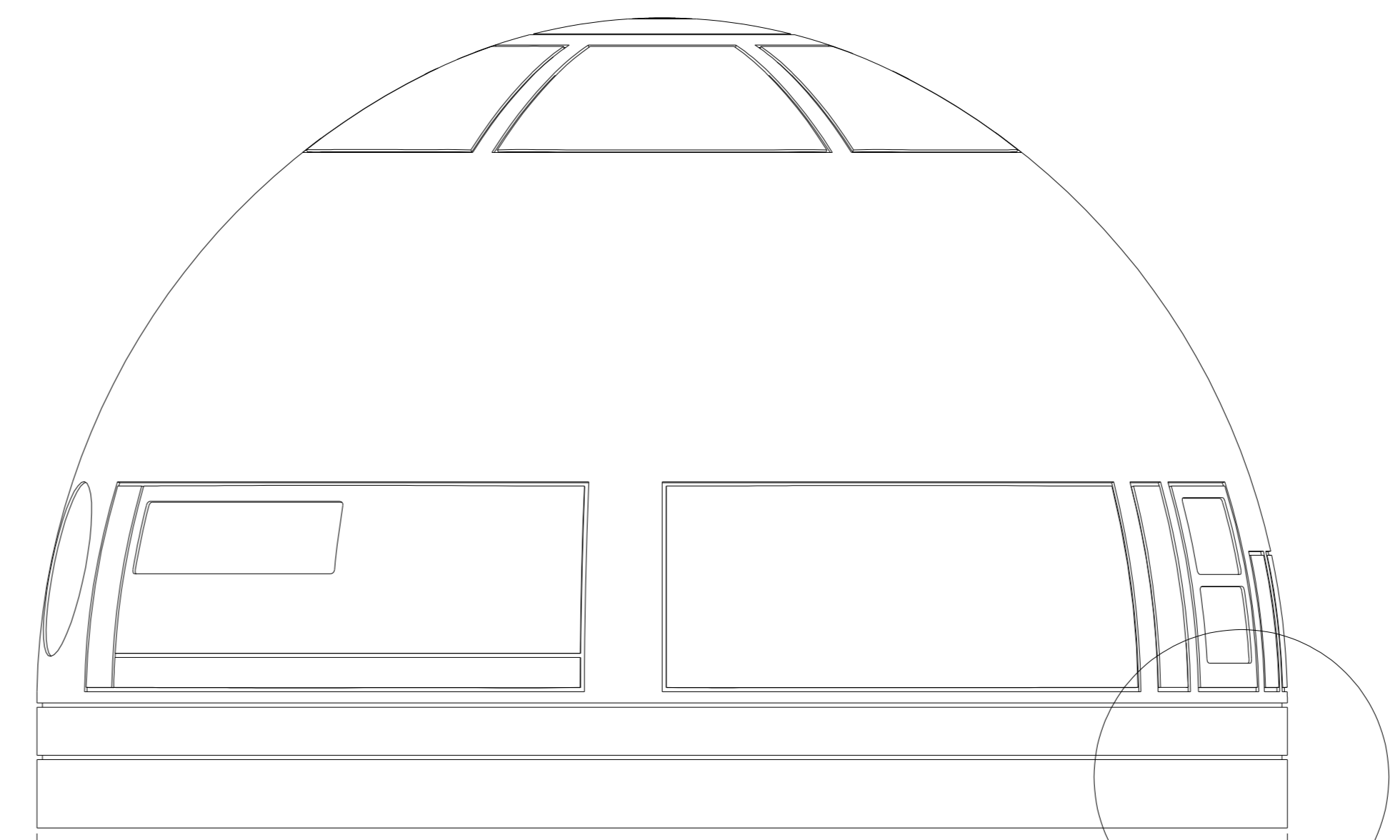


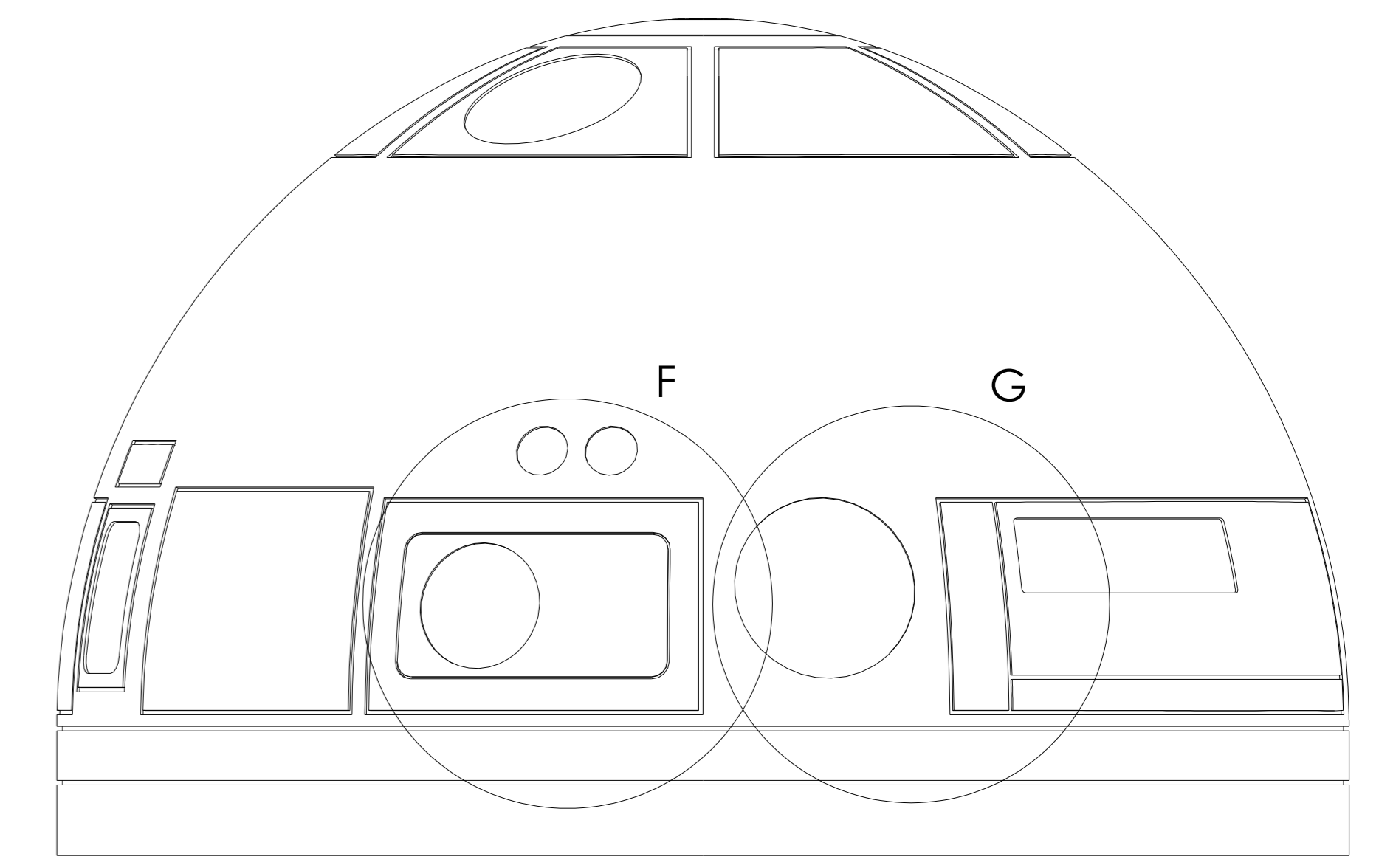
Left View



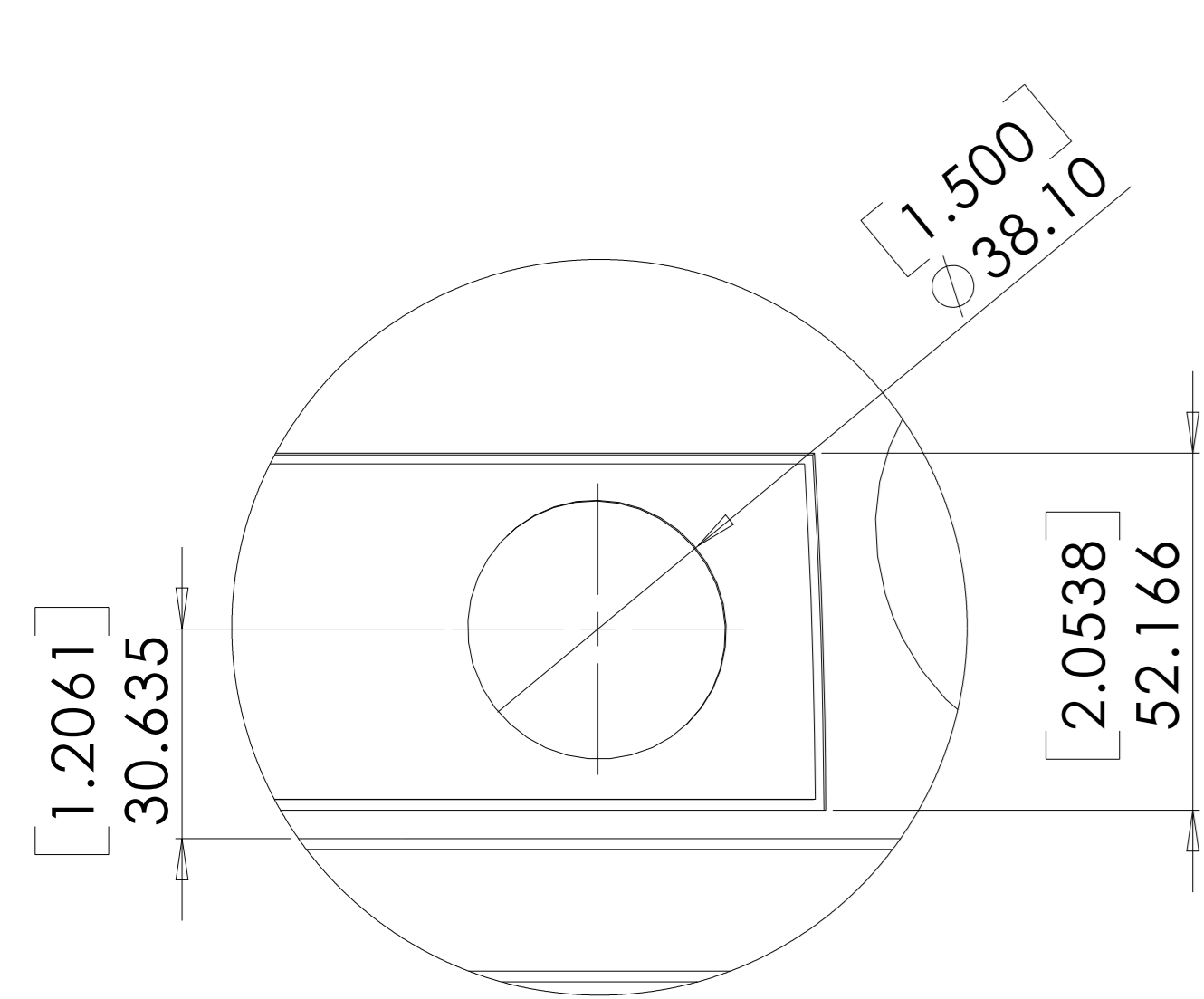
Front View



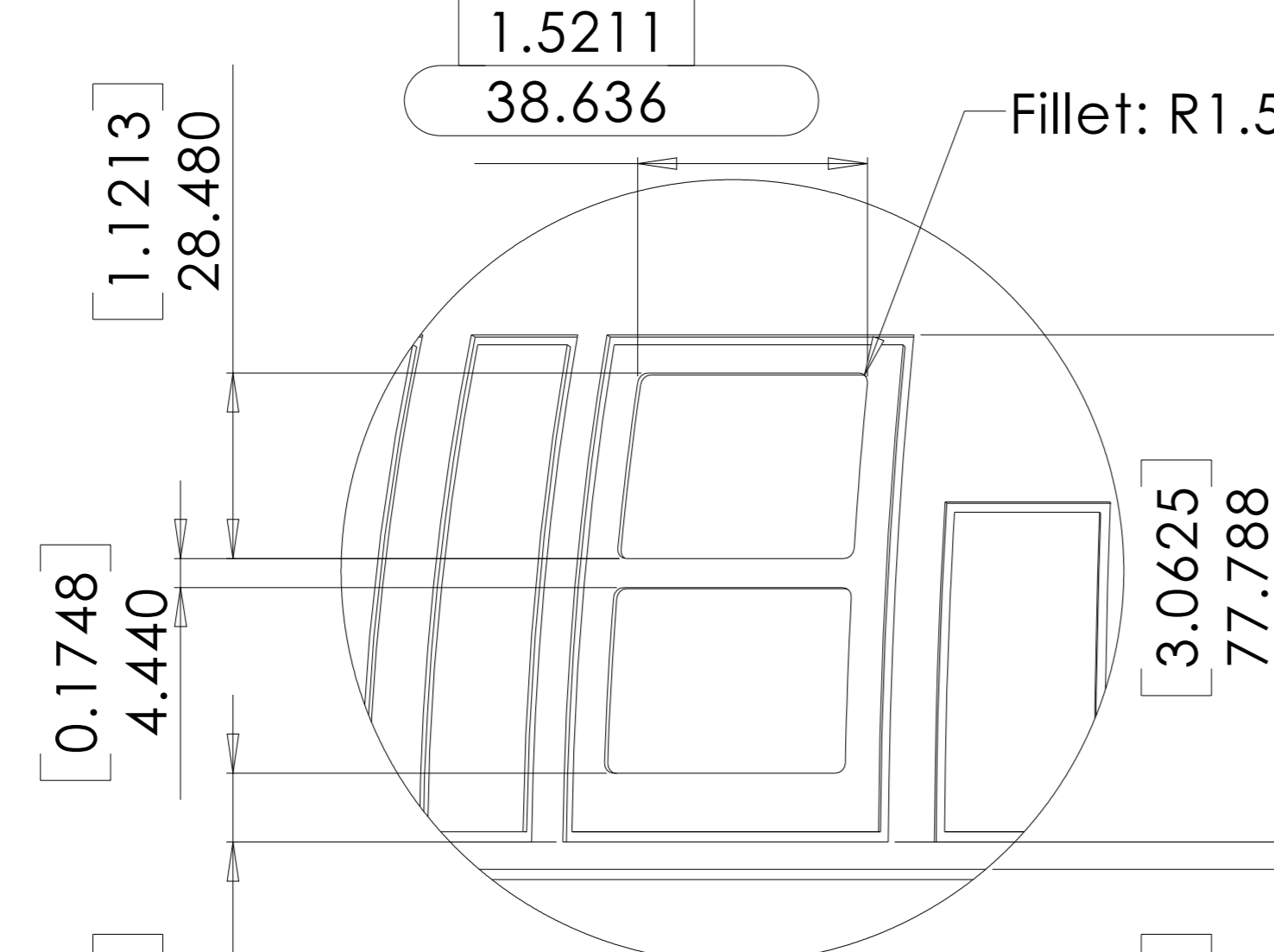
Right View



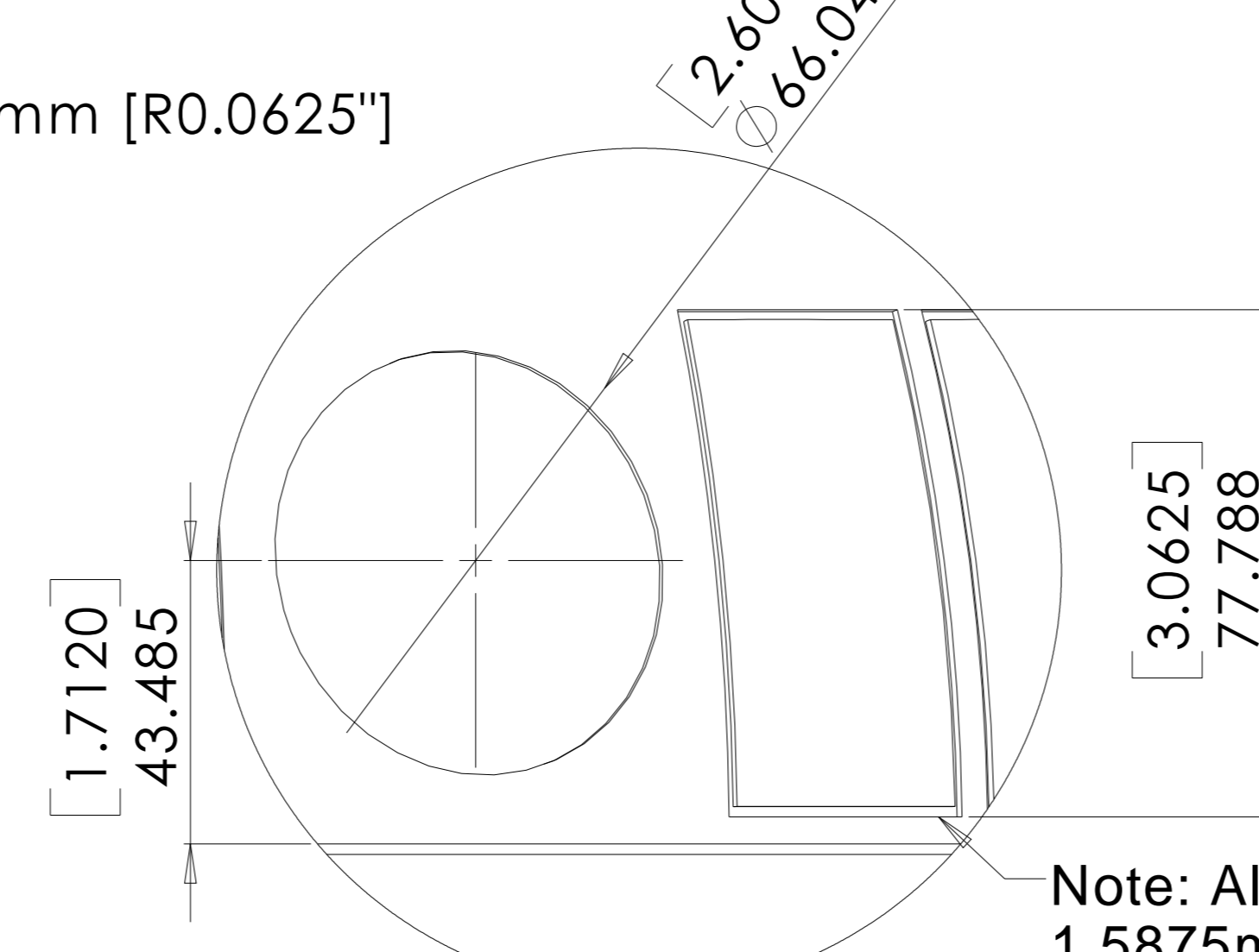
Back View



DETAIL A  
SCALE 1 : 1



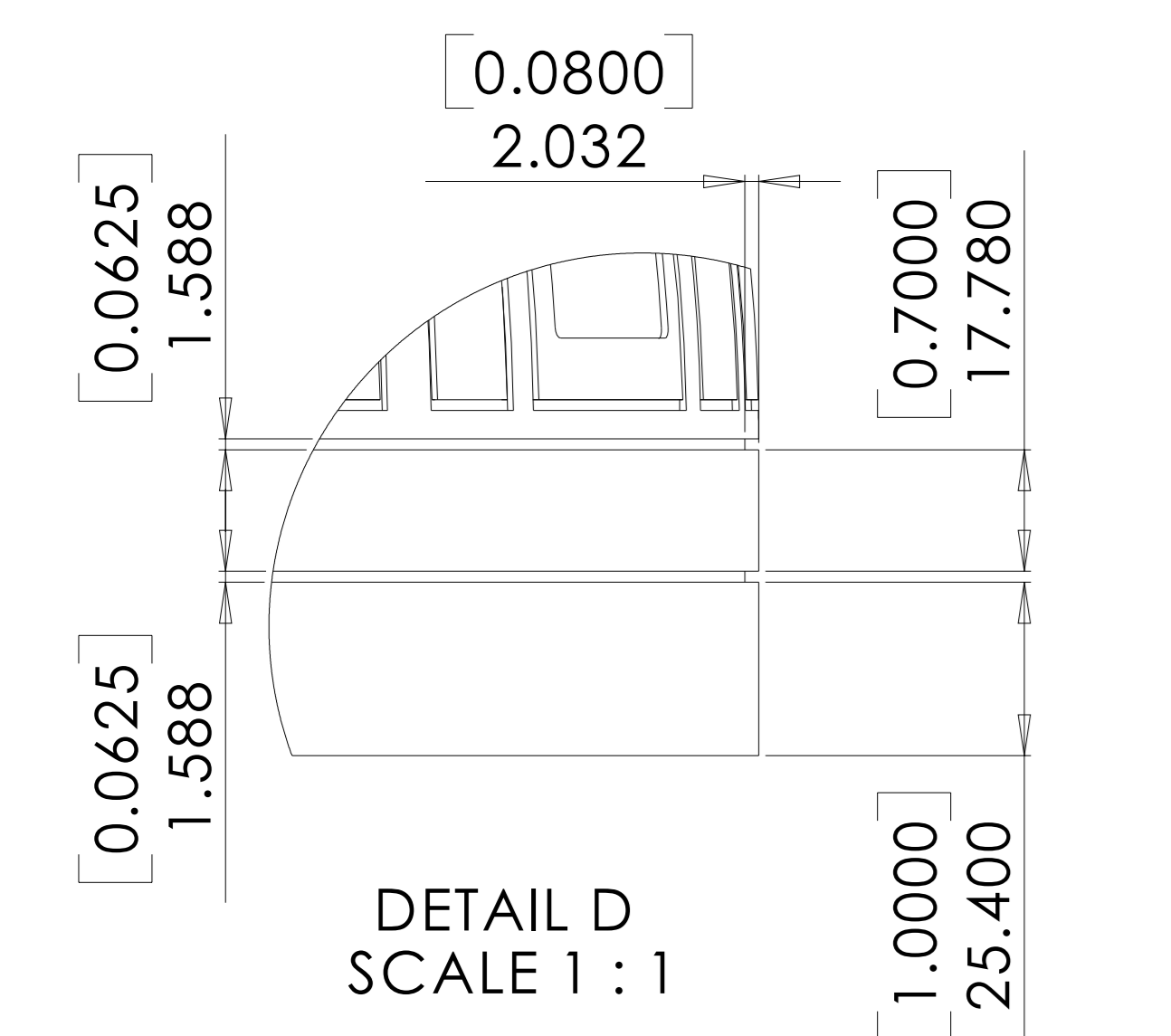
DETAIL B  
SCALE 1 : 1



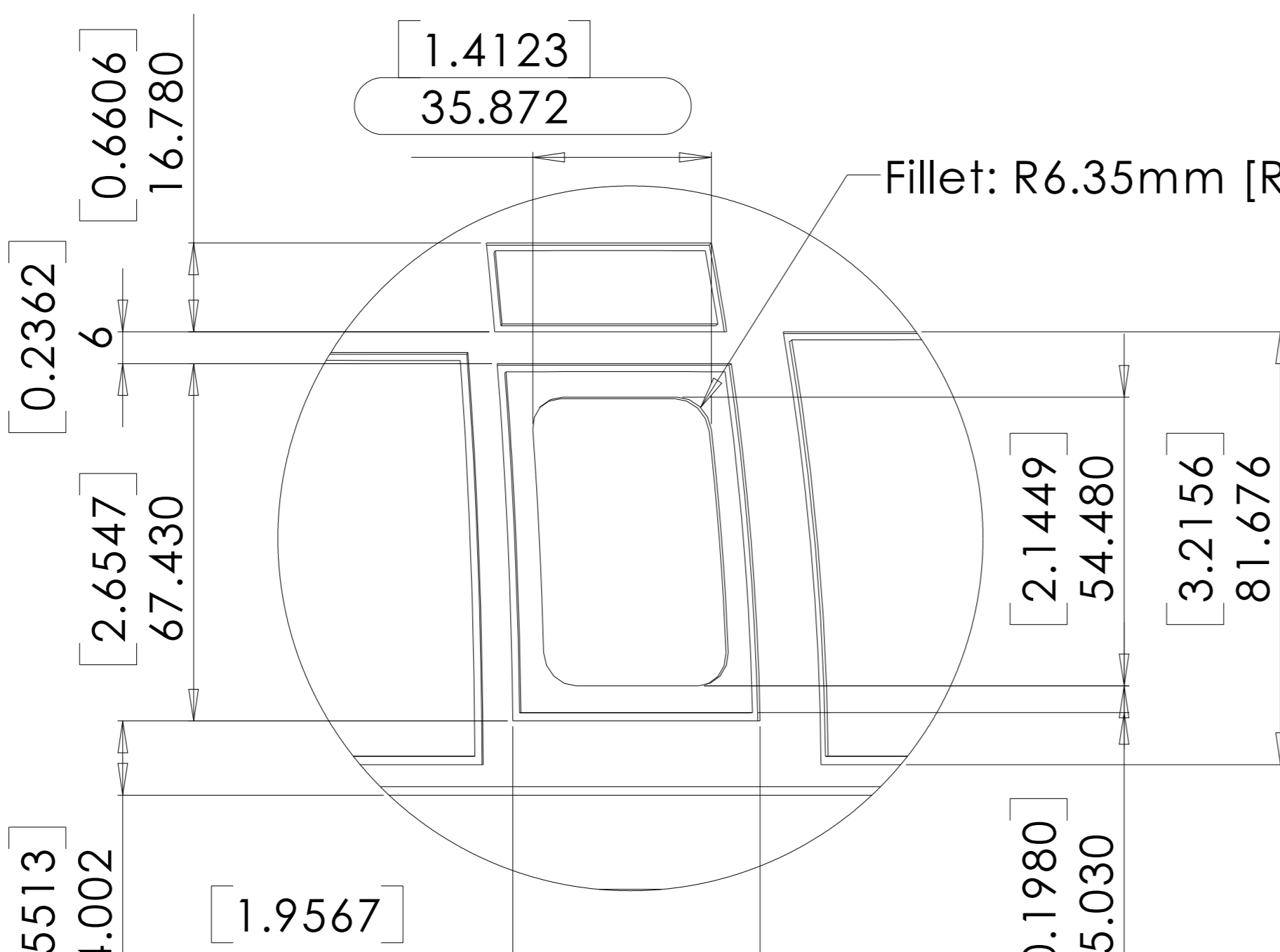
DETAIL C  
SCALE 1 : 1

Note: All panel cuts  
1.5875mm [0.0625"] wide  
(linear measurement) unless  
otherwise specified.

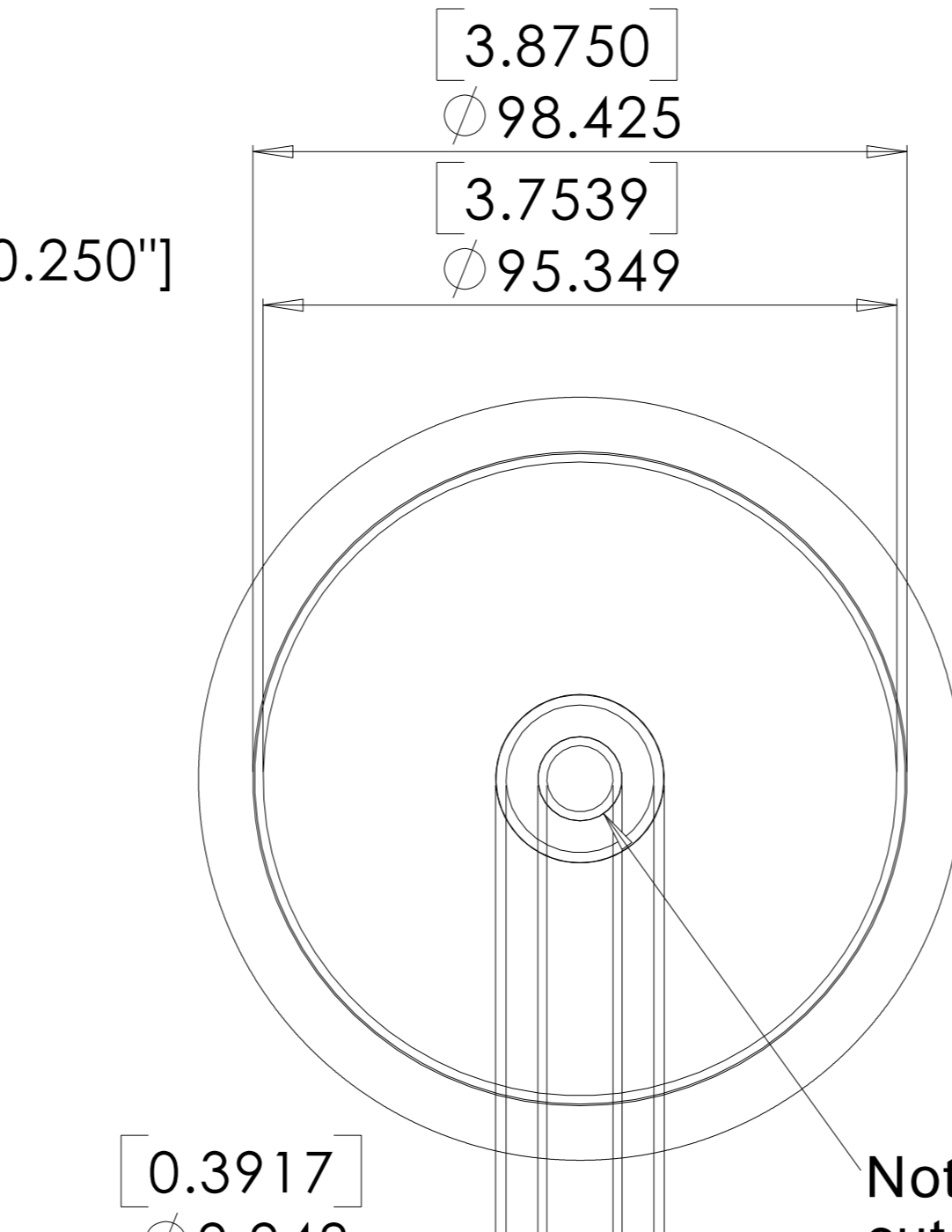
Outer Dome Thickness: 1.016mm [0.040"]  
Inner Dome Thickness: 1.016mm [0.040"]



DETAIL D  
SCALE 1 : 1

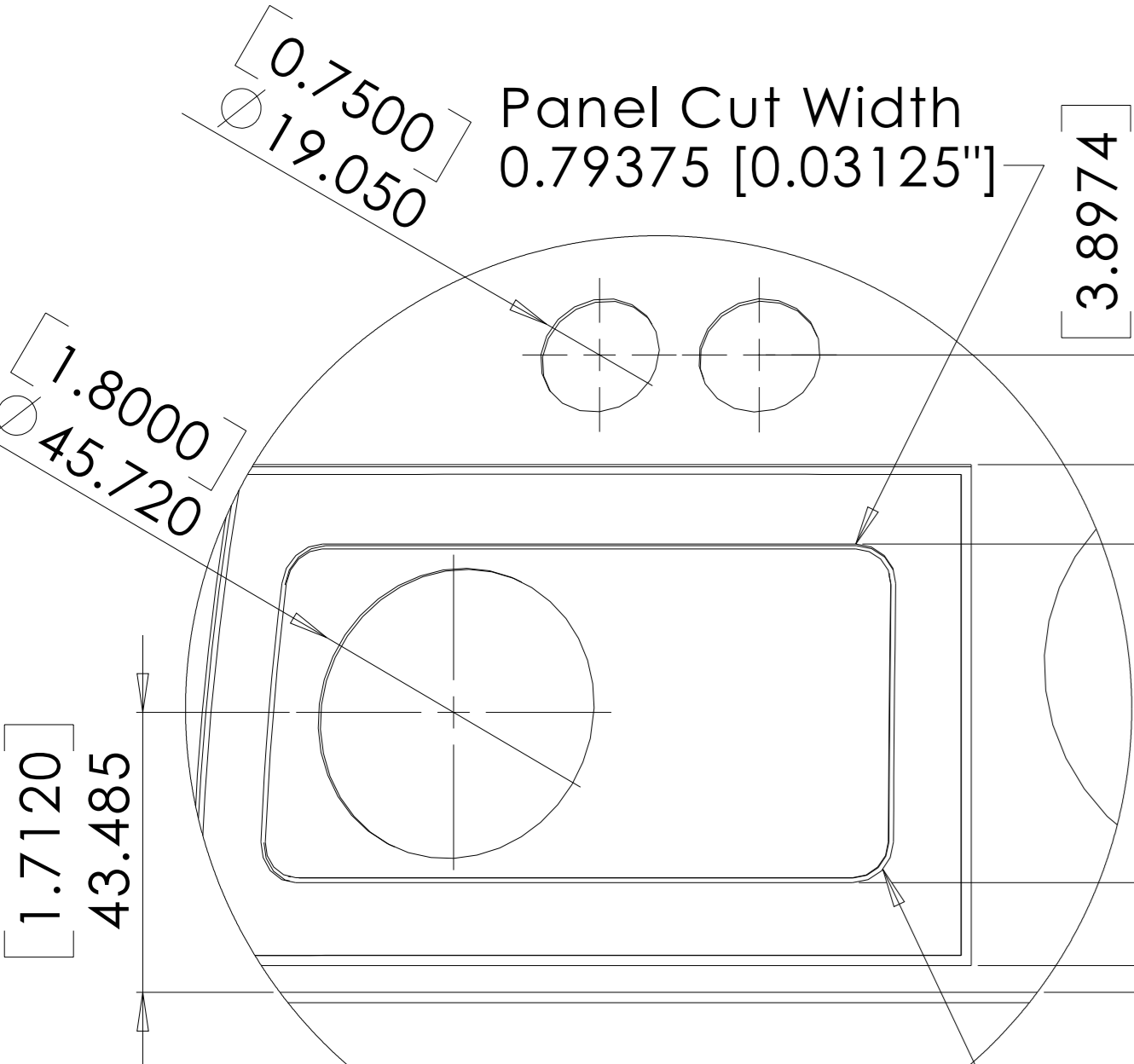


DETAIL E  
SCALE 1 : 1



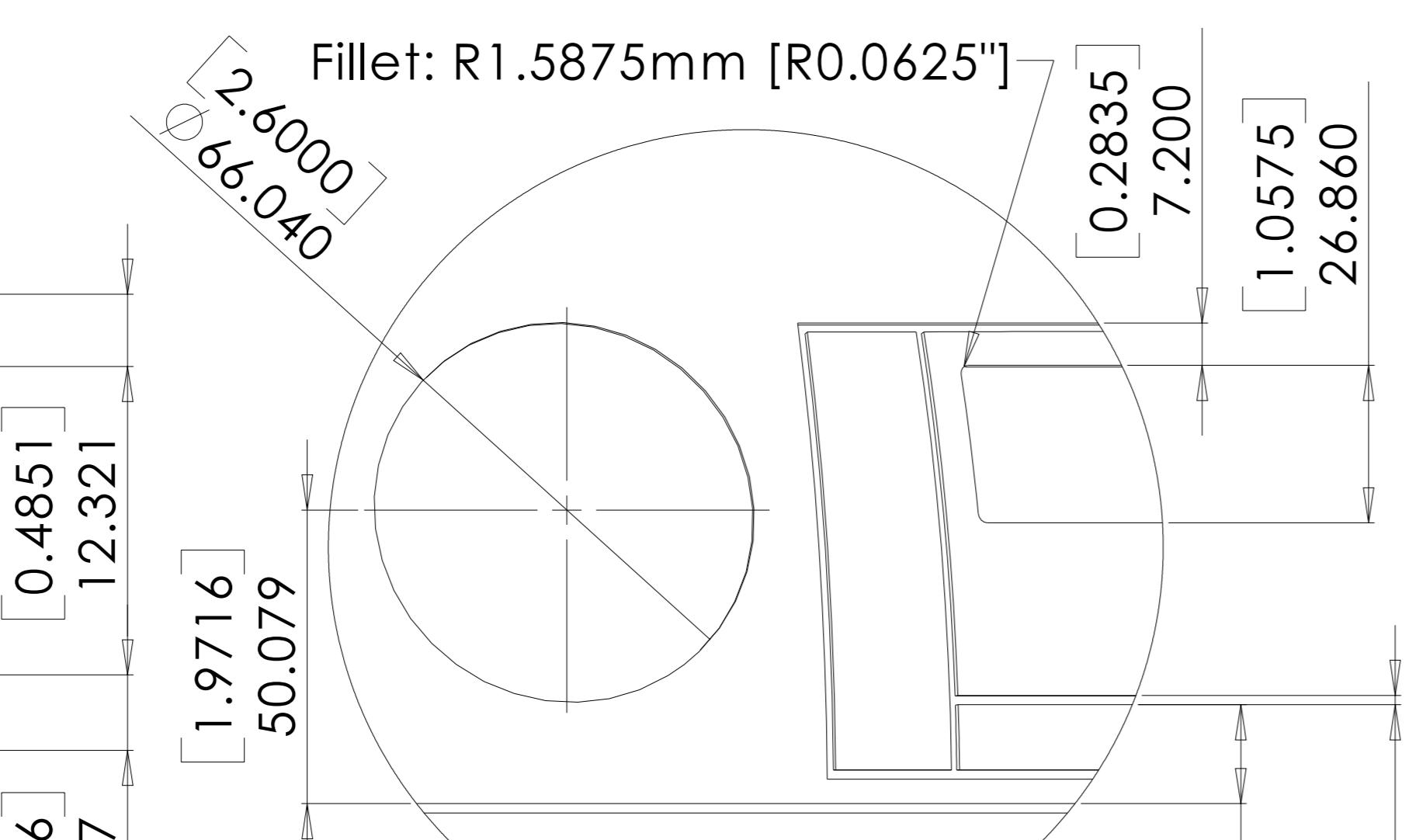
TOP PANELS  
SCALE 1 : 1

Note: This panel  
cut width smaller than  
typical.  
See dimensions.

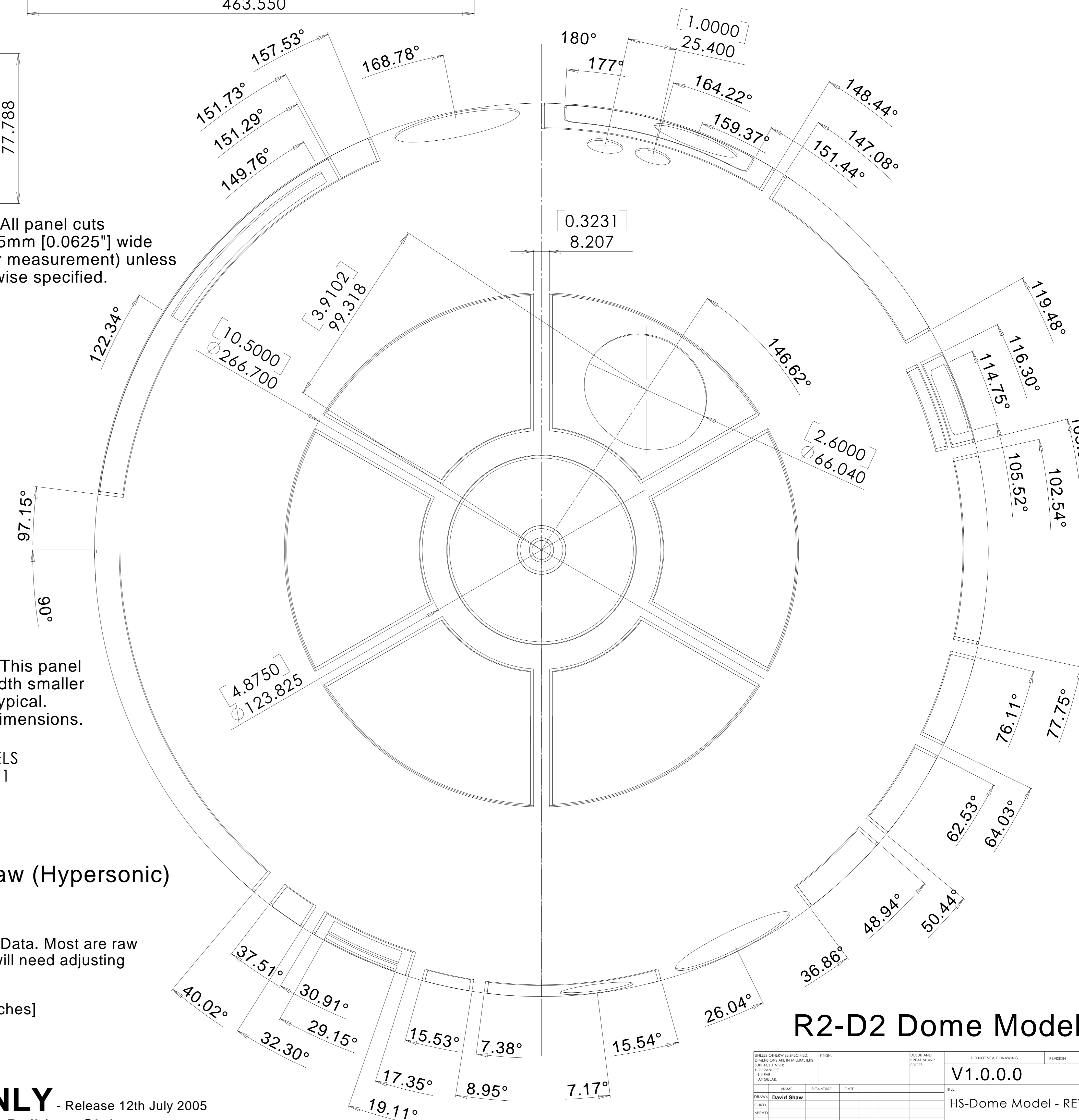


Fillet: R6.35mm [R0.250"]

DETAIL F  
SCALE 1 : 1



DETAIL G  
SCALE 1 : 1



Dome Model by David Shaw (Hypersonic)  
astromech@uav.com.au

Dimensions obtained from Dome Scan Data. Most are raw  
dimensions directly from the data and will need adjusting  
slightly to reflect original design intent.

Primary dimensions mm, secondary [inches]

Not for commercial use.

**REVIEW COPY ONLY** - Release 12th July 2005  
NOT for redistribution outside R2 Builders Club

### R2-D2 Dome Model

UNLESS OTHERWISE SPECIFIED:	UNIT: mm	DO NOT SCALE DRAWING	REVISION:
DIMENSIONS ARE IN MILLIMETERS			V1.0.0.0
SURFACE FINISH:			HS-Dome Model - REVIEW
TOLERANCES:			
UNLESS OTHERWISE SPECIFIED:			
NAME: David Shaw	SIGNATURE:	DATE:	
DESIGNED BY:			
CHECKED BY:			
APPROVED BY:			
DRAWN BY:			
MATERIAL: ALUMINIUM			
SCALE: 1:1			