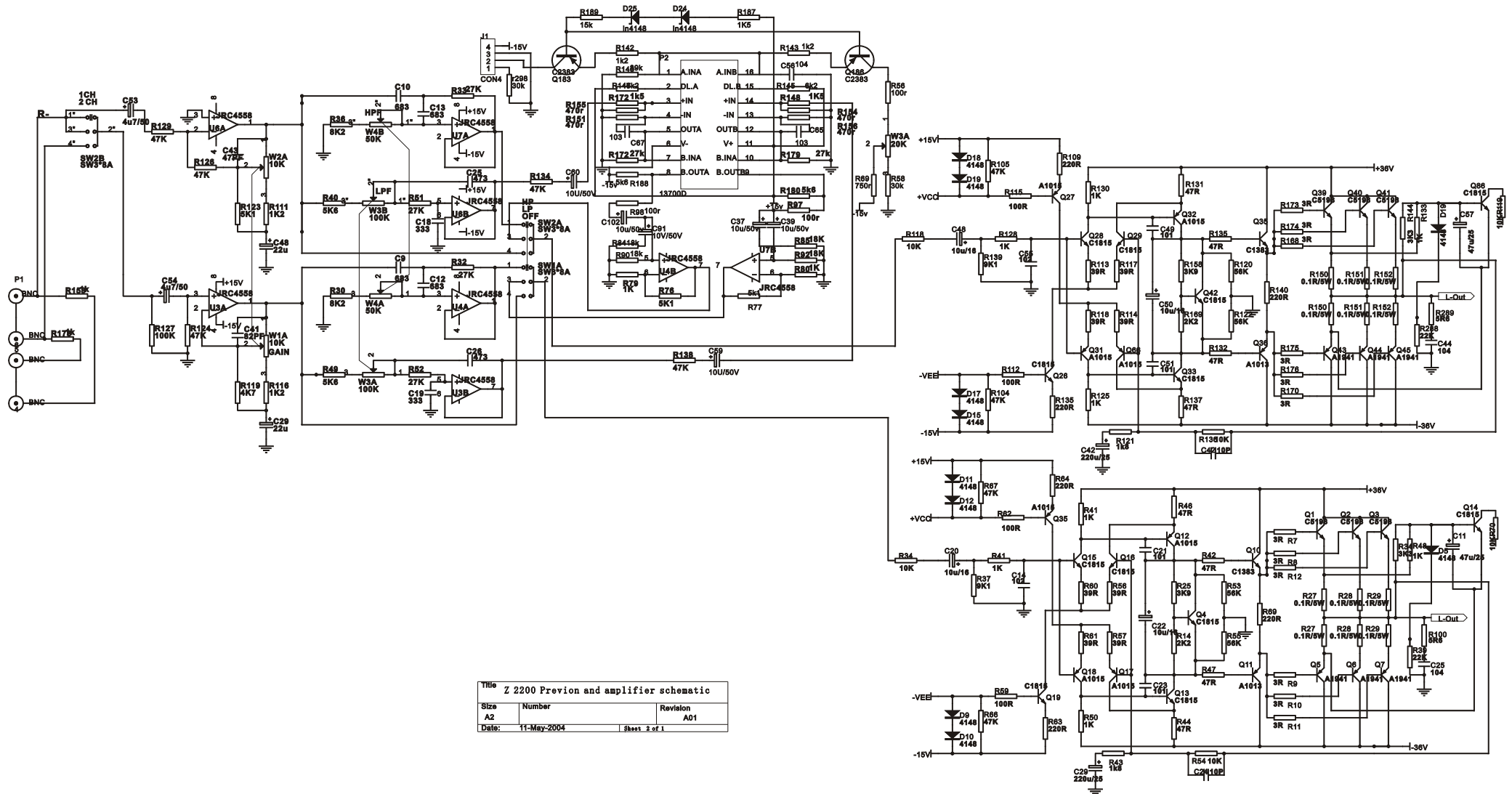
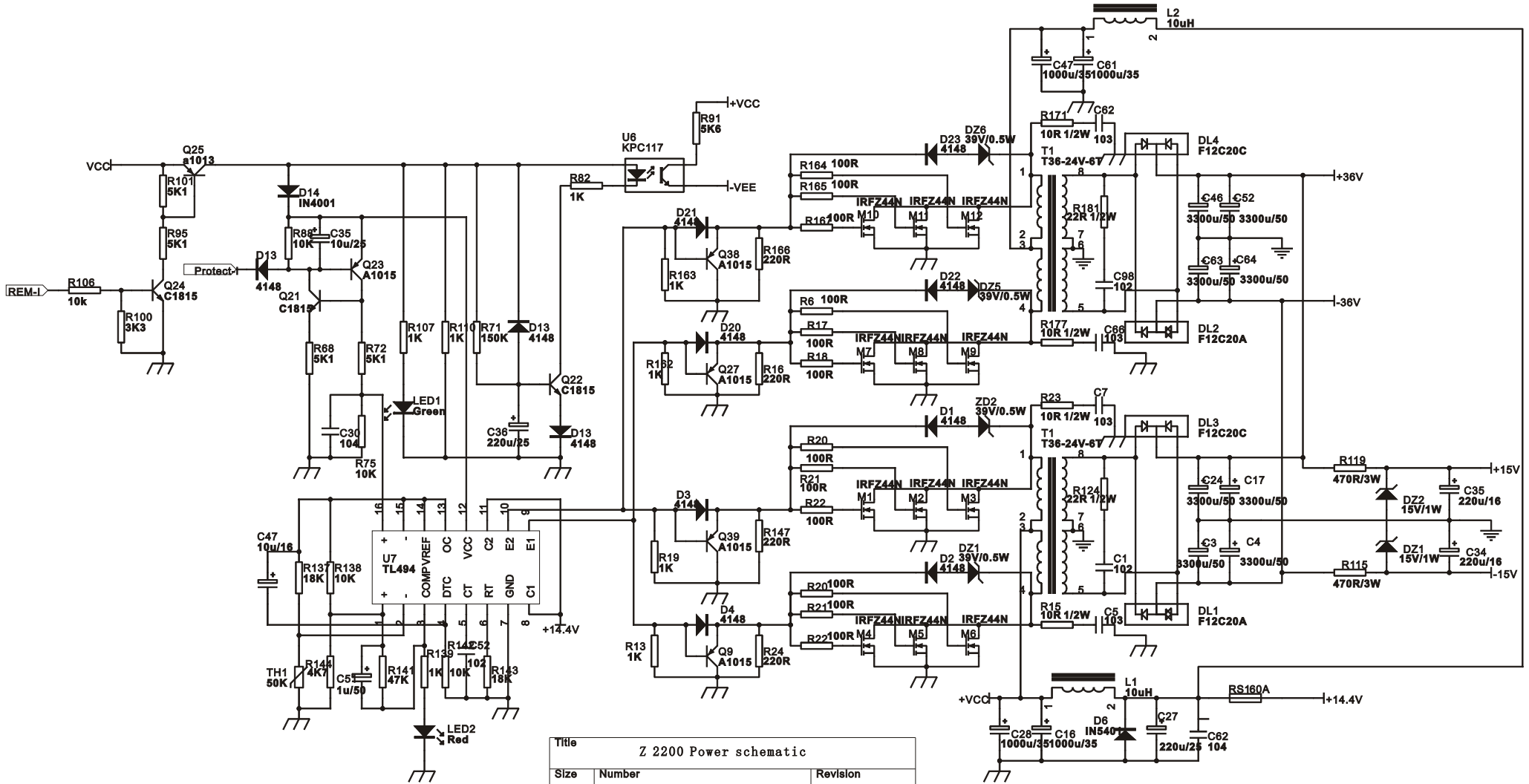




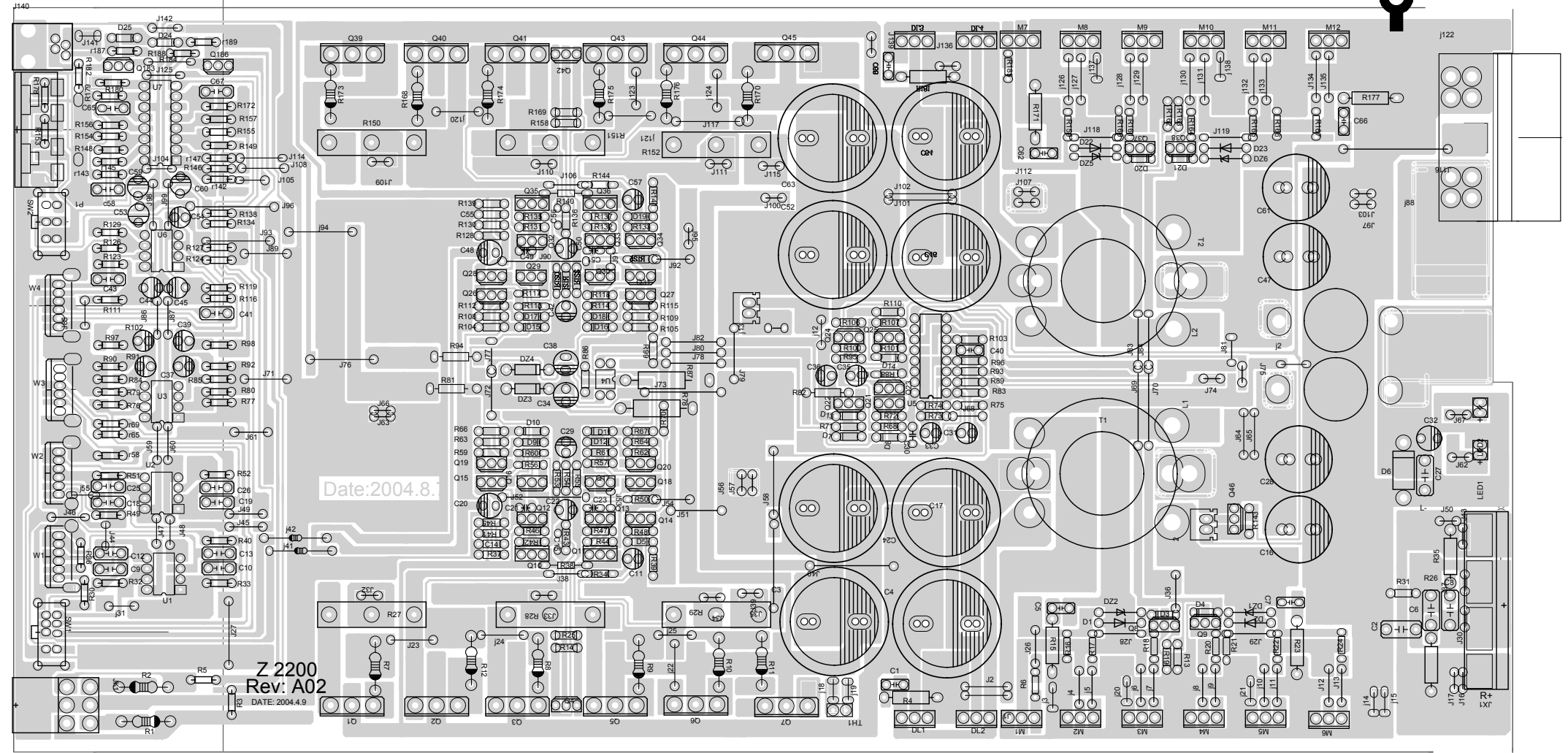
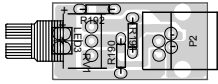
**Z 2200**



Title Z 2200 Pre-amp and amplifier schematic  
 Size Number Revision  
 A2 11-May-2004 AD1  
 Date: 11-May-2004 Sheet 2 of 1



Title		
Z 2200 Power schematic		
Size	Number	Revision
A3		A01
Date:	11-May-2004	Sheet 2 of 2



Date:2004.8.

Z 2200  
Rev: A02  
DATE: 2004.4.9



1

## Spare part list

Product Name: Car Amplifier

Model No:Z2200

Brand Name :

Serial number	Types	Description of components	Comment	Quantity	Unit	Components
001	PCB	PCB	Z2200	□	□	SAGA2004.Z2200:PCB-A01
002	Safety components	Coils	Φ36	2	PCS	SAGA2004.GA174.360.2:CH-A01
		Inductance	Φ10	2	PCS	
		Fuse	60A	1	PCS	
		Fuse Holder		2	PCS	
003	IC	IC	JRC4558	4	PCS	U1, U2, U3, U6
			PC817	1	PCS	U4
			13700D	1	PCS	U7
			TL494	1	PCS	U5
004	Transistor	Triodes	C2073	2	PCS	Q10, Q35
			A1015	14	PCS	Q8, Q9, Q12, Q17, Q18, Q20, Q23, Q25, Q27, Q30, Q31, Q32,Q37, Q38
			C1815	15	PCS	Q4, Q13, Q14, Q15, Q16, Q19, Q21, Q22, Q24, Q26, Q28, Q29,Q33, Q34, Q42
			A940	2	PCS	Q11, Q36
			C3198	2	PCS	Q48,Q56
			2SA1941	6	PCS	Q5, Q6, Q7, Q43, Q44, Q45
			2SC5198	6	PCS	Q1, Q2, Q3, Q39, Q40, Q41
			Voltage Stabilizing Diodes	15V/1W	2	PCS
			39V/0.5W	4	PCS	DZ1, DZ2, DZ5, DZ6
		Schottky Barrier Rectifier	F12C20A	2	PCS	DL2, DL4
			F12C20C	2	PCS	DL1, DL3
		Switch Diodes	IN4148	23	PCS	D1, D2, D22, D23 ,D3, D4, D5, D7, D8, D9, D10 D11, D12, D13, D15, D16, D17,D18, D19, D20, D21,D22,D25
		Rectifier Diodes	IN4001	1	PCS	D14
			IN5402	1	PCS	D6
		MOSFET	IRFZ44N	12	PCS	M1, M2, M3, M4, M5, M6, M7, M8,M9, M10, M11, M12□
		LED	Φ 5 RED	1	PCS	
			Φ5 GREEN	1	PCS	

Spare part list

Product Name: Car Amplifier

Model No:Z2200

Brand Name :

Serial	Types	Description	Comment	Quantity	Unit	Components
005	Resistors	Thermal Resistors	RTH-50K	1	PCS	CARRY METAL "Y"
		RTX-10W-0.1R×2	6	PCS	R27, R28, R29, R150, R151,R152	
		RTX-3W-470R	2	PCS	R78, R87	
		RTX-1/2W-5R6	2	PCS	R26, R35	
		RTX-1/2W-10R	4	PCS	R15, R23, R171, R177	
		RTX-1W-8K2	2	PCS	R4, R181	
		RTX-1/4W-3R	12	PCS	R7, R8, R9, R10, R11, R12,R168, R170, R173, R174, R175,R176	
		RTX-1/4W-47R	2	PCS	R81, R94	
		RTX-1/8W-39Ω	8	PCS	R56, R57, R60, R61, R113, R114,R117, R118	
		RTX-1/8W-47Ω	8	PCS	R42, R44, R46, R47, R131, R132,R135, R137	
		RTX-1/8W-100Ω	18	PCS	R6, R17, R18, R20, R22, R24, R59, R62, R97, R98, R112, R115,r65,R159, R161, R164, R165, R167, R185,R191	
		RTX-1/8W-220Ω	10	PCS	R16, R21, R160, R166,R63, R64, R108, R109 R38, R140	
		RTX-1/8W-470Ω	4	PCS	R154, R155, R156, R157	
		RTX-1/8W-750Ω	2	PCS	R189,R190	
		RTX-1/8W-1KΩ	21	PCS	R13, R19, R31, R41, R45, R48, R50, R79, R80, R93, R107, R110,R111, R125, R128, R130, R133,R153,R162, R163, R192	
		RTX-1/8W-1.2KΩ	3	PCS	R116,R142,R119	
		RTX-1/8W-1.5KΩ	3	PCS	R121, R148, R149	
		RTX-1/8W-1.8KΩ	2	PCS	R54,R116	
		RTX-1/8W-2.2KΩ	2	PCS	R14, R169	
		RTX-1/8W-3.3KΩ	3	PCS	R34, R100, R144	
		RTX-1/8W-3.9KΩ	2	PCS	R25, R158	
		RTX-1/8W-4.7KΩ	2	PCS	R89, R119	
		RTX-1/8W-5.1KΩ	7	PCS	R68, R72, R76, R77, R95, R101, R123	
		RTX-1/8W-5.6KΩ	5	PCS	R40, R49, R86, R180, R188	
		RTX-1/8W-6.2KΩ	2	PCS	r145, r147	
		RTX-1/8W-8.2KΩ	2	PCS	R30, R36	
		RTX-1/8W-9.1KΩ	2	PCS	R37, R139	
		RTX-1/8W-10KΩ	9	PCS	R43, R70, R74, R75, R88, R96,R99, R106, R136	
		RTX-1/8W-15KΩ	2	PCS	R73, R92,R189	
		RTX-1/8W-18KΩ	7	PCS	R84, R85, R90, R103,R104,R105	
		RTX-1/8W-22KΩ	2	PCS	R39, R141	
		RTX-1/8W-27KΩ	6	PCS	R32, R33, R51, R52, R179. R172	
		RTX-1/8W-30KΩ	2	PCS	R182, R58	
		RTX-1/8W-39KΩ	1	PCS	R146	
RTX-1/8W-47KΩ	10	PCS	R3, R5, R66, R67, R83, R104, R105, R124, R126,			
RTX-1/8W-56KΩ	4	PCS	R53, R55, R120, R122, R129			
RTX-1/8W-100KΩ	1	PCS	R127			
RTX-1/8W-150KΩ	1	PCS	R71			

## Spare part list

Product Name: Car Amplifier

Model No: Z2200

Brand Name :

Serial number	Types	Description of components	Comment	Quantity	Unit	Components	
005	Resistors	Trimmers	1710-15-axis-C20KQX2	1	PCS	W4	
			1710-15-axis-C50KQX2	1	PCS	W1	
			1710-15-axis-C100KQX2	1	PCS	W2	
			1710-15-axis-C10KQX2	1	PCS	W3	
006	capacitors	Ceramic Capacitors	CCX-63V-47P	1	PCS	C43	
			CCX-63V-82P	1	PCS	C41	
			CCX-63V-10P	2	PCS	C32,C36	
			CCX-63V-101	4	PCS	C21, C23, C49, C51	
			CCX-63V-104	1	PCS	C30	
			CL-100V-102	3	PCS	C1,C40, C68	
		Polyester Capacitors	CL-100V-103	6	PCS	C5, C7, C62, C66,C65, C67	
			CL-100V-104	5	PCS	C2, C6, C8, C27,C58	
			CL-100V-333	2	PCS	C18, C19	
			CL-100V-473	2	PCS	C25, C26	
			CL-100V-683	4	PCS	C9, C10, C12, C13	
			Electrolytic capacitors	CD11-50V-1uF(85□)	1	PCS	C31
		CD11-50V-4u7F(85□)		4	PCS	C53, C54, C59, C60	
		CD11-16V-10uF(85□)		5	PCS	C22, C35, C50,C20, C48	
		CD11-16V-22uF(85□)		2	PCS	C44, C45	
		CD11-16V-47uF(85□)		2	PCS	C11, C57	
		CD11-25V-47uF(85□)		2	PCS	C29, C42	
		CD11-16V-100uF(85□)		1	PCS	C33	
		CD11-16V-220uF(85□)		3	PCS	C32, C34, C38	
		CD11-16V-330uF(85□)		1	PCS	C36	
		CD11-35V-1000uF(105□)		4	PCS	C16, C28, C47, C61	
		CD11-50V-3300uF(105□)	8	PCS	C3, C4, C17, C24, C46, C52,C63, C64		
		Colour capacitors	101	2	PCS	C21,C22	
007	Connecting line	J line(Φ0.65mm)	4mm	35	PCS		
			5mm	2	PCS		
			6mm	13	PCS		
			7mm	1	PCS		
			8mm	28	PCS		
			10mm	33	PCS		
			12mm	6	PCS		
			13mm	3	PCS		
			15mm	8	PCS		
			18mm	3	PCS		
			20mm	5	PCS		
			25mm	1	PCS		
			wire			a suit of	

## Spare part list

Product Name: Car Amplifier

Model No: Z2200

Brand Name :

Serial	Types	Description	Comment	Quantity	Unit	Components
008	Inserting components	RCA socket	AV4-7	1	PCS	Glassy Jacket ,Inversion Pick Up Mold
		Terminals	more Three way	1	PCS	
			Four way	1	PCS	
		Line Control Seat	End Up Fomula	1	PCS	
			Pour Fomula	1	PCS	
		Direct-Pulling Switch	SK23D25G8	1	PCS	
SK22H03G8	1		PCS			
009	Hardware	Aluminum Covering Plate	MAC	1	PCS	
		Front Panel	δ=2 Cool Panel	1	PCS	
		Rear Panel	δ=2 Cool Panel	1	PCS	
		Both Sides Raditor	Alumium material	2	PCS	
		Decoration Items	δ=2 Aluminum piece	2	PCS	
		Iron Panel	δ=2 Cool Panel	1	PCS	
		Bottom Panel	Alumium material	1	PCS	
		Fit Iron Press Plate	32×20×2mm	2	PCS	
			27×20×2mm	2	PCS	
		Screw	CAH3X4	11	PCS	
			CAH3X8	8	PCS	
			CMH4X6	10	PCS	
			CAH3X8	3	PCS	
			PA3X4	2	PCS	
Meson	Φ3	2	PCS			
Flexibility Meson	Φ3	2	PCS			
010	Plastics	Polybag	70×70mm	1	PCS	
			300×360mm	1	PCS	
		Silicon Silk	210X27mm	2	PCS	
		Coils pad	Φ36	1	PCS	
		Switch sponge Pad		2	PCS	
011	Package	foam	a pair			
		Fuse	60A	1	PCS	
		Screw	BA5×10	4	PCS	
		Meson	Φ5	4	PCS	
		Flexibility Meson	Φ5	4	PCS	
		User's Manual		1	PCS	
		Gift Box		1	PCS	
012	Accessories	brand		1	PCS	
		RCA Jacks Covering		4	PCS	
		Groundwire Solder Plate	Φ5	1	PCS	
		Tube		2	PCS	
		Glue				
		Tin		a few		