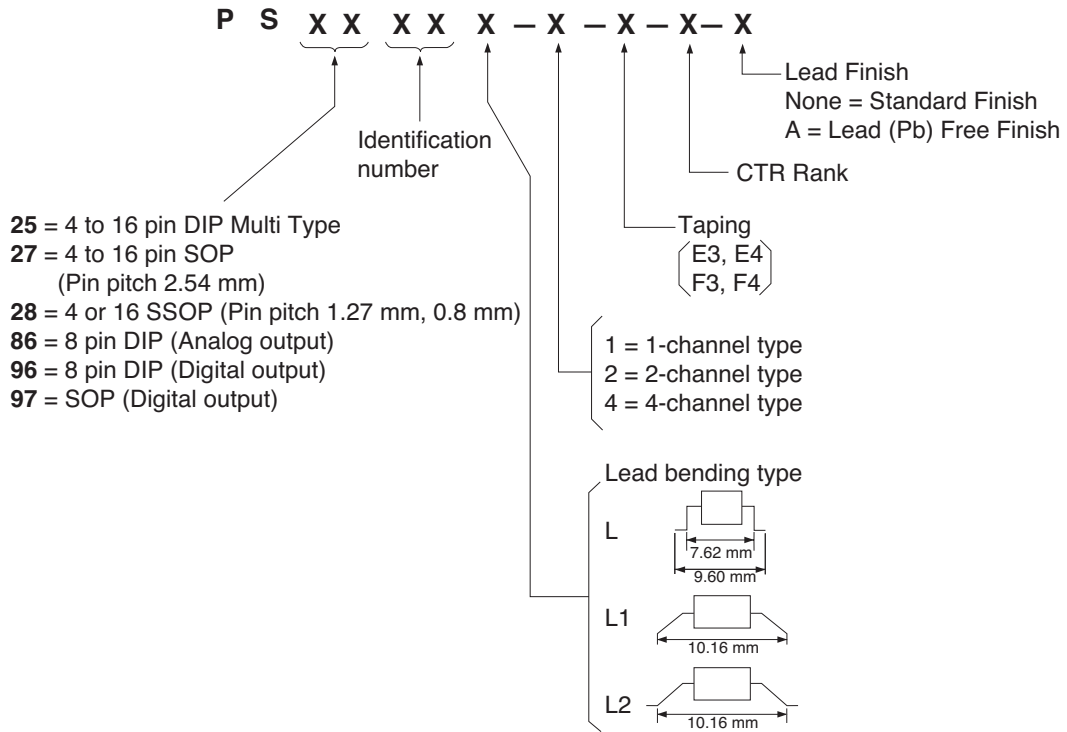
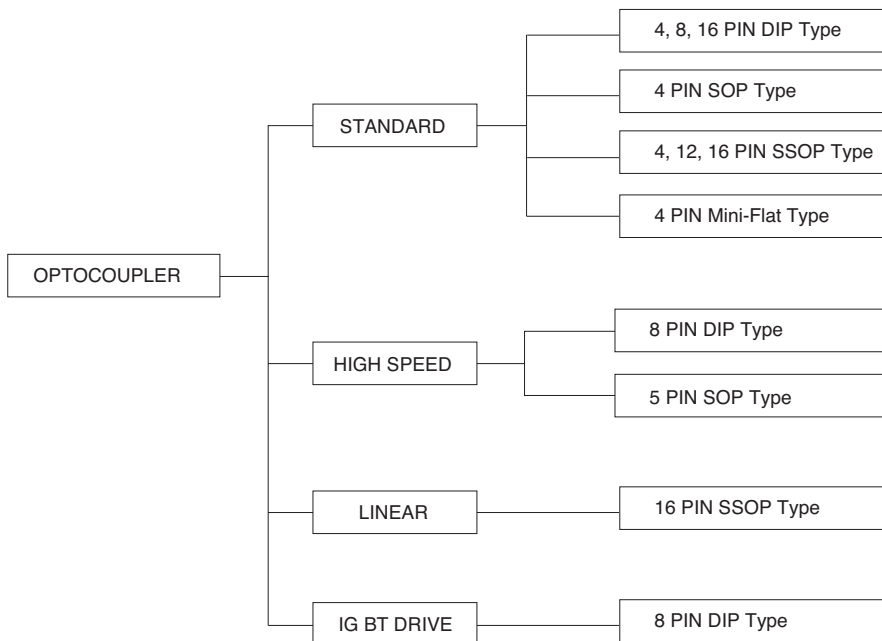


Optocouplers Selection Guide

NUMBERING SYSTEM (All devices are available in lead free versions)



CLASSIFICATION CHART

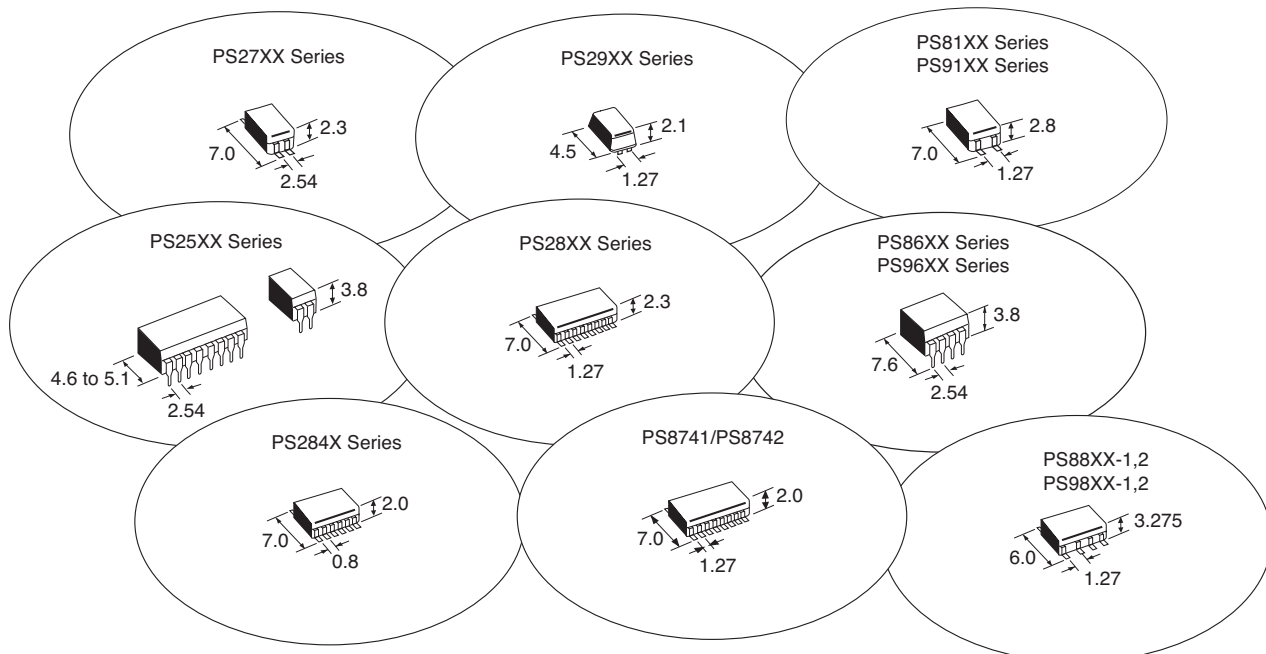


NEC OPTOCOPLER FAMILIES

- ▲ Factory and Office Automation
- Home Appliances
- Telecommunications, Power Supplies

IC output	200 KHz Bandwidth		PS8741 ▲ ●	
	Ultra High Speed (10Mb)	PS9814-1, PS9814-2 ▲	PS9114, PS9115 ▲	PS9611, ▲ ■ PS9614
	High Speed (1Mb, 200 kb)	PS8802-1, PS8802-2 ▲	PS8101, PS8103, PS9113 ▲	PS8601, PS8602, ▲ ■ PS9613
	High Power output			PS9634 ▲ ■
Transistor output	PS29XX Family 2.5 kV Isolation CTR Rank Options: 80-2,000 Available on tape and reel ▲ ●	PS28XX Family 2.5 kV Isolation CTR Rank Options: 80-2,000 Available on tape and reel ▲ ●	PS27XX 3.75 kV Isolation CTR Rank Options: 50-6,500 Available on tape and reel ▲ ■ ●	PS25XX Family 5 kV Isolation CTR Rank Options: 50-15,000 Available on tape and reel ▲ ■ ●
		AC or DC input		
	4 or 16 pin SSOP packages	4, 12 or 16 pin SSOP packages	4 or 5 pin SOP packages	4 to 16 pin DIP packages

PRINCIPAL FAMILY (Units in mm)



OPTOCOUPLER SELECTION GUIDE

4 to 16 Pin DIP Multi-channel Type

Part Number*	PIN CONNECTION	FEATURES	ABSOLUTE MAXIMUM RATINGS			ELECTRICAL CHARACTERISTICS		DIMENSION (Page No.)
			BV (Vr.m.s.)	If (mA)	Ic (mA)	CTR (%)	Tr, Tf (μs)	
PS2501A-1 PS2501AL		high isolation voltage high V _{CEO} (70 V: MIN) single Tr.	5 k	30	30	50 to 400	5, 7 (R _L = 100 Ω)	18
PS2501-1 PS2501L-1		high isolation voltage high V _{CEO} (80 V: MIN) single Tr.						
PS2501-2 PS2501L-2				50	80 to 600	3, 5 (R _L = 100 Ω)		
PS2501-4 PS2501L-4								
PS2502-1 PS2502L-1		high isolation voltage high CTR Darlington Tr.		80	200	200 Min	100, 100 (R _L = 100 Ω)	
PS2502-2 PS2502L-2								
PS2502-4 PS2502L-4					30	100 to 400	20, 30 (R _L = 10 k Ω)	
PS2503-1 PS2503L-1								
PS2503-2 PS2503L-2								
PS2503-4 PS2503L-4		high isolation voltage single Tr. high speed 30 μs (R _L = 10 k Ω)						

* "L" suffix designates lead bending type for surface mount applications.

4 to 16 Pin DIP Multi-channel Type continued

Part Number*	PIN CONNECTION	FEATURES	ABSOLUTE MAXIMUM RATINGS			ELECTRICAL CHARACTERISTICS		DIMENSION (Page No.)
			BV (V _{r.m.s.})	I _F (mA)	I _C (mA)	CTR (%)	T _R , T _F (μs)	
PS2505-1 PS2505L-1		high isolation voltage AC input high V _{CEO} (80 V: MIN) single Tr.	5 k	± 80	50	80 to 600	3, 5 (R _L = 100 Ω)	18
PS2505-2 PS2505L-2								
PS2505-4 PS2505L-4								
PS2506-1 PS2506L-1		high isolation voltage AC input high CTR Darlington Tr.		200	200 Min	100, 100 (R _L = 100 Ω)		
PS2506-2 PS2506L-2								
PS2506-4 PS2506L-4								
PS2513-1 PS2513L-1		high isolation voltage single Tr. high V _{CEO} 120 20 kb speed		60	30	50 to 200	3,4 (R _L = 100 Ω) 5, 25 (R _L = 1.9k Ω)	
PS2521-1 PS2521L-1		high isolation voltage large forward current input single Tr.		150	50	20 to 80	3, 5 (R _L = 100 Ω)	
PS2521-2 PS2521L-2								
PS2521-4 PS2521L-4								

* "L" suffix designates lead bending type for surface mount applications.

4 to 16 Pin DIP Multi-channel Type continued

Part Number*	PIN CONNECTION	FEATURES	ABSOLUTE MAXIMUM RATINGS			ELECTRICAL CHARACTERISTICS		DIMENSION (Page No.)
			BV (V _{r.m.s.})	I _F (mA)	I _c (mA)	CTR (%)	T _R , T _F (μs)	
PS2525-1 PS2525L-1		high isolation voltage large forward current input AC input single Tr.	5 k	±150	50	20 to 80	3, 5 (R _L = 100 Ω)	18
PS2525-2 PS2525L-2								
PS2525-4 PS2525L-4								
PS2532-1 PS2532L-1		high isolation voltage high V _{CEO} (300 V: MIN) Darlington Tr.		80	150	1500 to 6500	100, 100 (R _L = 100 Ω)	
PS2532-2 PS2532L-2								
PS2532-4 PS2532L-4								
PS2533-1 PS2533L-1		high isolation voltage high V _{CEO} (350 V: MIN) Darlington Tr.		80	150	1500 to 6500	100, 100 (R _L = 100 Ω)	
PS2533-2 PS2533L-2								
PS2533-4 PS2533L-4								
PS2561A-1 PS2561AL-1 PS2561AL2-1		high isolation voltage high V _{CEO} (70 V: MIN) DC, single Tr.		30	30	50 to 300	5, 7 (R _L = 100 Ω)	
PS2561-1 PS2561L-1 PS2561L1-1 PS2561L2-1		high isolation voltage single Tr.	80	50	80 to 400	3, 5 (R _L = 100 Ω)		
PS2561-2 PS2561L-2								
PS2561-4 PS2561L-4								

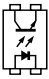
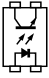
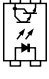



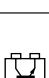
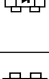
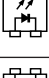
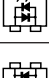



* "L" suffix designates lead bending type for surface mount applications.

4 to 16 Pin DIP Multi-channel Type continued

Part Number*	PIN CONNECTION	FEATURES	ABSOLUTE MAXIMUM RATINGS			ELECTRICAL CHARACTERISTICS		DIMENSION (Page No.)
			BV (V _{r.m.s.})	I _F (mA)	I _C (mA)	CTR (%)	T _R , T _F (μs)	
PS2562-1 PS2562L-1		high isolation voltage Darlington Tr.	5 k	80	200	20 Min	100, 100 (R _L = 100 Ω)	18
PS2562-2 PS2562L-2					160			
PS2565-1 PS2565L-1		high isolation voltage single Tr. AC input			50	80 to 400	3, 5 (R _L = 100 Ω)	
PS2565-2 PS2565L-2								
PS2566-1 PS2566L-1		high isolation voltage AC input Darlington Tr.			200	200 Min	100, 100 (R _L = 100 Ω)	
PS2566-2 PS2566L-2					160			
PS2581L1 PS2581L2		high isolation voltage Long creepage			50	80 to 400	3, 5 (R _L = 100 Ω)	
PS2581AL1 PS2581AL2		high isolation voltage Long creepage			30	30	5, 7 (R _L = 100 Ω)	

* "L" suffix designates lead bending type for surface mount applications.

SOP Type (Pin pitch 2.54 mm)

Part Number*	PIN CONNECTION	FEATURES	ABSOLUTE MAXIMUM RATINGS			ELECTRICAL CHARACTERISTICS		DIMENSION (Page No.)	
			BV (V _{r.m.s.})	I _F (mA)	I _c (mA)	CTR (%)	T _r , T _f (μs)		
PS2701A-1		SOP type single Tr.	3.75 k	30	30	50 to 300	5, 7 (R _L = 100 Ω)	18	
PS2701-1				80	50 to 300	3, 5 (R _L = 100 Ω)			
PS2702-1		SOP type Darlington Tr.		50	200	200 Min	200, 200 (R _L = 100 Ω)		
PS2703-1		SOP type single Tr. high V _{CEO} (120 V: MIN)		30	50 to 400	10, 10 (R _L = 1 k Ω)			
PS2705-1		SOP type single Tr. AC input type		±50	80	50 to 300	3, 5 (R _L = 100 Ω)		
PS2706-1		SOP type Darlington Tr. AC input type			200	200 Min	200, 200 (R _L = 100 Ω)		
PS2707-1		SOP type single Tr. AC input type high V _{CEO} (120 V: MIN)			30	50 to 400	10, 10 (R _L = 1 k Ω)		
PS2711-1		SOP type		3.75 k	50	40	100 to 400 I _F = 1 mA		4, 5 (R _L = 100 Ω)
PS2715-1		SOP type		3.75 k	±50	40	100 to 400 I _F = 1 mA		4, 5 (R _L = 100 Ω)
PS2732-1		SOP type Darlington Tr. high V _{CEO} (300 V: MIN)		2.5 k	50	150	1500 to 4500		100, 100 (R _L = 1 k Ω)
PS2733-1		SOP type Darlington Tr. high V _{CEO} (350 V: MIN)							
PS2761-1		SOP type	3.75 k	±50	40	50 to 400	4, 5 (R _L = 100 Ω)		
PS2765-1		SOP type			40	50 to 400	4, 5 (R _L = 100 Ω)		

SOP Type (Pin pitch 1.27 mm)

Part Number*	PIN CONNECTION	FEATURES	ABSOLUTE MAXIMUM RATINGS			ELECTRICAL CHARACTERISTICS		DIMENSION (Page No.)
			BV (V _{r.m.s.})	I _F (mA)	I _c (mA)	CTR (%)	T _R , T _F (μs)	
PS2801A-1*		1.27 mm pitch DC input type single Tr.	2.5 k	30	30	50 to 400	5, 7 (R _L = 100 Ω)	18
PS2801A-4								
PS2801-1*								
PS2801-4								
PS2802-1*		1.27 mm pitch DC input type Darlington Tr.		50	90	200 to 3400	200, 200 (R _L = 100 Ω)	
PS2802-4					100			
PS2805A-1		1.27 mm pitch AC input type single Tr.		±30	30	50 to 400	5, 7 (R _L = 100 Ω)	
PS2805A-4								
PS2805-1*		1.27 mm pitch AC input type single Tr.		±50	50	80 to 600	3, 5 (R _L = 100 Ω)	
PS2805-4								
PS2806-1*		1.27 mm pitch AC input type Darlington Tr.		±50	90	200 to 3400	200, 200 (R _L = 100 Ω)	
PS2806-4								
PS2811-1		1.27 mm pitch DC input type single Tr. Low Input current	±50	40	100 to 400 I _F = 1 mA	4, 5 (R _L = 100 Ω)		
PS2811-4								
PS2815-1								
PS2815-4								

* Note: Only available on Tape and Reel.

SOP Type (Pin pitch 1.27 mm)

Part Number*	PIN CONNECTION	FEATURES	ABSOLUTE MAXIMUM RATINGS			ELECTRICAL CHARACTERISTICS		DIMENSION (Page No.)
			BV (V _{r.m.s.})	I _F (mA)	I _C (mA)	CTR (%)	T _R , T _F (μs)	
PS2832-1*		1.27 mm pitch AC input type Darlington Tr. High V _{CE}	2.5 k	50	60	400 to 4500	20, 5 (R _L = 5 k Ω)	18
PS2832-4								
PS2833-1*								
PS2833-4								
PS2861H-1		1.27 mm pitch DC Input type single Tr., high isolation	3000 V	50	40	50 to 400	4, 6 (R _L = 100 k Ω)	
PS2861-1		1.27 mm pitch DC Input type single Tr., high isolation	2.5 k	50	40	50 to 400	4, 5 (R _L = 100 k Ω)	
PS2865-1		1.27 mm pitch AC Input type single Tr., high isolation						

SOP Type (Pin pitch 0.8 mm)

Part Number*	PIN CONNECTION	FEATURES	ABSOLUTE MAXIMUM RATINGS			ELECTRICAL CHARACTERISTICS		DIMENSION (Page No.)
			BV (V _{r.m.s.})	I _F (mA)	I _C (mA)	CTR (%)	T _R , T _F (μs)	
PS2841-4A		0.8 mm pin pitch single Tr.	2 k	50	20	100 to 600	20, 110 (R _L = 5 k Ω)	17
PS2841-4B								
PS2845-4A		0.8 mm pin pitch	2 k	±50	20	100 to 600	20, 110 (R _L = 5 k Ω)	

Mini Flat Type Type

Part Number*	PIN CONNECTION	FEATURES	ABSOLUTE MAXIMUM RATINGS			ELECTRICAL CHARACTERISTICS		DIMENSION (Page No.)
			BV (V _{r.m.s.})	I _F (mA)	I _c (mA)	CTR (%)	T _R , T _F (μs)	
PS2911-1		DC Input Single Transistor Very small package	2.5 k	50	40	100 to 400 I _F = 1 mA	4, 5 (R _L = 100 Ω)	18
PS2913-1		High Collector Voltage Single Transistor Very small package			30	50 to 100 I _F = 1 mA	5, 50 (R _L = 5 Ω)	
PS2915-1		AC Input Single Transistor Very small package		±50	100 to 400 I _F = 1 mA	4, 5 (R _L = 100 Ω)		
PS2932-1		High V _{CE} Very small package		50	400 to 4500	20, 5 (R _L = 100 Ω)		
PS2933-1								

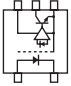
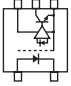
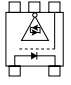
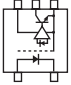
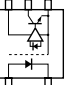
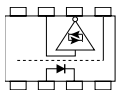
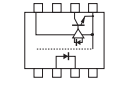
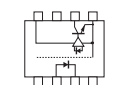
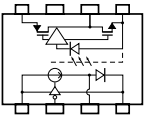
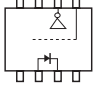
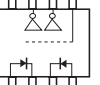
High Speed Analog Output Type

Part Number*	PIN CONNECTION	FEATURES	ABSOLUTE MAXIMUM RATINGS			ELECTRICAL CHARACTERISTICS		DIMENSION (Page No.)
			BV (V _{r.m.s.})	I _F (mA)	I _c (mA)	CTR (%)	T _R , T _F (μs)	
PS8601 PS8601L		DIP8 8 pin base connection High isolation voltage	5 k	25	8	15 MIN	0.8, 0.8 (R _L = 1.9 k Ω)	17,19
PS8602 PS8602L		DIP8 High noise reduction High isolation voltage						
PS8101		5 pin SOP High isolation voltage	2.5 k	50		15 to 35	0.8, 1.2 (R _L = 2.2 k Ω)	
PS8103		5 pin SOP High isolation voltage 200 kb/s				10 to 35	5, 5 (R _L = 4.1 k Ω)	
PS8802-1		SO8 High noise reduction High isolation voltage Single channel	25	15 to 35		0.8, 1.2 (R _L = 2.2 k Ω)		
PS8802-2		SO8 High noise reduction High isolation voltage Dual channel						

Linear Type

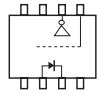
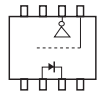
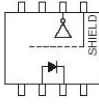
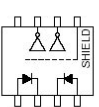
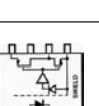
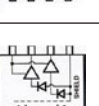
Part Number*	PIN CONNECTION	FEATURES	ABSOLUTE MAXIMUM RATINGS		LINEARITY		BANDWIDTH	DIMENSION (Page No.)
			BV (V _{r.m.s.})	I _F (mA)	MAX (%)	Temp. Coefficient		
PS8741		16 pin SOP 200 kHz Bandwidth	1.5 k	50	1	.0005%/°C	200 kHz	18

High Speed Digital Output Type

Part Number*	PIN CONNECTION	FEATURES	ABSOLUTE MAXIMUM RATINGS			ELECTRICAL CHARACTERISTICS		DIMENSION (Page No.)
			BV (V _{r.m.s.})	I _F (mA)	I _{OL} (mA)	C _{MH/CML} (KV/ μ s) MIN	T _{PLH} (ns)	
PS9113		SOP5 High Voltage (35V) High Noise Reduction Open Collector	2.5 K	25	15	15	750	18, 19
PS9114		SOP5 High Speed High Noise Reduction Open Collector		75				
PS9115		SOP5 High Speed High Noise High Noise Reduction, Totem Pole Output		30	10	65		
PS9117		SOP5 High Speed High Noise Reduction Open Collector		25	15	75		
*PS9121		SOP5 High CMR 10 Mbps 3.3 V	2.5 V	20	8	15	90	
PS9611 PS9611L		DIP8 High noise reduction High speed Totem Pole Output	3.75 K	30	50	1	85	
PS9613 PS9613L		DIP8 High noise reduction High Voltage (35V) Open Collector	5 K	25	15	15	750	
PS9617		DIP8 High Isolation Voltage High speed response Open Collector	5 K	30	100	15	75	
*PS9661 *PS9661L		DIP8 High noise reduction 25 Mbps CMOS Output Type	3.75 K	10	10	10	23	
PS9814-1		SO8 High Noise Reduction, High speed response Open Collector	2.5 K	30	25	10	75	
PS9814-2								

*All values are from preliminary data sheet

High Speed Digital Output Type continued

Part Number*	PIN CONNECTION	FEATURES	ABSOLUTE MAXIMUM RATINGS			ELECTRICAL CHARACTERISTICS		DIMENSION (Page No.)
			BV (V _{r.m.s.})	IF (mA)	IOL (mA)	CMH/CML (KV/ μ s) MIN	TPLH (ns)	
PS9817-1		SO8 High Noise Reduction, High speed response Open Collector	2.5 K	20	25	15	750	18, 19
PS9817-2				15				
*PS9821-1		SO8 High CMR 10 Mbps 3.3 V		20	8	15	90	
*PS9821-2								
PS9851-1		SO8 High CMR 15 Mbps		20	2	10	60	
PS9851-2								

*All values are from preliminary data sheet

CURRENT TRANSFER RATIO SELECTION GUIDE

Part Number	RANK TABLE	CTR (%)	TEST CONDITIONS	
			I _F (mA)	V _{CE} (V)
PS2501A-1 PS2501AL-1	N H W Q L	50 to 400 80 to 160 130 to 260 100 to 200 200 to 400	5	5
PS2501-1 PS2501L-1	N K L M D H W Q	80 to 600 300 to 600 200 to 400 80 to 240 100 to 300 80 to 160 130 to 260 100 to 200	5	5
PS2501-2 PS2501-4 PS2501L-2 PS2501L-4	N	80 to 600	5	5
PS2502-1 PS2502L-1	K L M	2000 to 3400 700 to 3400 200 to 1000	1	2
PS2502-2 PS2502-4 PS2502L-2 PS2502L-4	N	200 to 3400	1	2
PS2503-1 PS2503L-1	K L M	200 to 400 150 to 300 100 to 200	1	5
PS2503-2 PS2503-4 PS2503L-2 PS2503L-4	N	100 to 400	1	5
PS2505-1 PS2505-2 PS2505-4 PS2505L-1 PS2505L-2 PS2505L-4	N	80 to 600	±5	5
PS2506-1 PS2506-2 PS2506-4 PS2506L-1 PS2506L-2 PS2506L-4	N	200 to 3400	±1	2
PS2513 PS2513L-1	N	50 to 100	5	5
PS2521-1 PS2521-2 PS2521-4 PS2521L-1 PS2521L-2 PS2521L-4	N	20 to 80	100	3
PS2525-1 PS2525-2 PS2525-4 PS2525L-1 PS2525L-2 PS2525L-4	N	20 to 80	100	3

CURRENT TRANSFER RATIO SELECTION GUIDE continued

Part Number	RANK TABLE	CTR (%)	TEST CONDITIONS	
			I _F (mA)	V _{CE} (V)
PS2532-1 PS2532-2 PS2532-4 PS2532L-1 PS2532L-2 PS2532L-4	N	1500 to 6500	1	2
PS2533-1 PS2533-2 PS2533-4 PS2533L-1 PS2533L-2 PS2533L-4	N	1500 to 6500	1	2
PS2561A-1 PS2561AL-1 PS2561AL2-1	N	50 to 300	5	5
	H	80 to 160		
	Q	100 to 200		
	W	130 to 260		
PS2561-1 PS2561L-1	L	200 to 400	5	5
	M	80 to 240		
	D	100 to 300		
	H	80 to 160		
	W	130 to 260		
	Q	100 to 200		
PS2561-2 PS2561L-2	N	80 to 400	5	5
PS2562-1 PS2562L-1	K	2000 to 3400	1	2
	L	700 to 3400		
	M	200 to 1000		
PS2562-2 PS2562L-2	N	200 to 3400	1	2
PS2565-1 PS2565-2 PS2565L-1 PS2565L-2	N	80 to 400	5	5
PS2566-1 PS2566-2 PS2566L-1 PS2566L-2 PS2581L-1 PS2581L-2	N	200 to 3400	1	2
PS2601 PS2602 PS2601L PS2602L	K	300 to 600	5	5
	L	200 to 400		
	M	80 to 240		

CURRENT TRANSFER RATIO SELECTION GUIDE continued

Part Number	RANK TABLE	CTR (%)	TEST CONDITIONS	
			I _F (mA)	V _{CE} (V)
PS2701A	N	50 to 300	5	5
	P	150 to 300		
	L	100 to 300		
	M	50 to 150		
PS2701-1	P	150 to 300	5	5
	L	100 to 300		
	M	50 to 150		
PS2702-1	K	2000 to ∞	1	2
	L	700 to 3400		
	M	200 to 1000		
PS2703-1	K	200 to 400	5	5
		80 to ∞	1	5
	L	100 to 300	5	5
		25 to ∞	1	5
	M	50 to 150	5	5
		10 to ∞	1	5
	S	100 to ∞	1	5
PS2705-1	M	50 to 150	±5	5
	L	100 to 300		
	P	150 to 300		
PS2706-1	N	200 to ∞	±1	2
PS2707-1	N	50 to 400	±5	5
		10 to 1000	±1	
PS2711-1	N	100-400	1	5
	K	200-400		
	L	150-300		
	M	100-200		
PS2715-1	N	100-400	±1	5
PS2732-1	N	1500 to ∞	1	2
PS2733-1	N	1500 to ∞	1	2
PS2761-1	K	200-400	5	5
	M	50-150		
	L	100-300		
	N	50-400		
PS2765-1	N	50-400	±5	5
PS2801A-1	L	100 to 300	5	5
	P	150 to 300		
PS2801A-4	N	80 to 600		
PS2801-1	K	300 to 600	5	5
	L	100 to 300		
	P	150 to 300		
PS2801-4	N	80 to 600		
PS2802-1	K	2000 to ∞	1	2
	L	700 to 3400		
	M	200 to 1000		
	N	200 to ∞		
PS2802-4	N	200 to ∞		

CURRENT TRANSFER RATIO SELECTION GUIDE continued

Part Number	RANK TABLE	CTR (%)	TEST CONDITIONS	
			I _F (mA)	V _{CE} (V)
PS2805A-1 PS2805A-4	N	50 to 400	±5	5
PS2805-1 PS2805-4	N	80 to 600	±5	5
PS2806-1 PS2806-4	N	200 to ∞	±1	2
PS2811-1	N	100-400	1	5
	K	200-400		
	L	150-300		
	M	100-200		
PS2811-4	N	100-400	1	5
PS2815-1 PS2815-4	N	100-400	±1	5
PS2832-1 PS2832-4	N	400 to 4500	1	2
PS2833-1 PS2833-4	N	400 to 4500	1	2
PS2841-4A	N	150 to 600	50	5
PS2841-4B	N	150 to 600	50	5
PS2845-4A	N	150 to 600	±50	5
PS2861H	N	50 to 400	5	5
PS2861-1	K	200-400	5	5
	M	50-150		
	L	100-300		
	N	50-400		
PS2865-1	N	50-400	±5	5
PS2911-1	N	100 to 400	1	5
	K	200 to 400		
	L	150 to 300		
	M	100 to 200		
PS2913-1	M	50-100	1	5
	K	100-200		
	L	75-150		
	N	50-200		
PS2915-1	N	100 to 400	±1	5
PS8101	N	10 to 35	16	V _{CC} = 4.5
	K	20 to 35		
PS8103	N	10 to 30	16	V _{CC} = 4.5
PS8601	N	15 to ∞	16	V _{CC} = 4.5
PS8602	N	15 to ∞	16	V _{CC} = 4.5
PS8802-1 PS8802-2	N	15 to 35	16	V _{CC} = 4.5

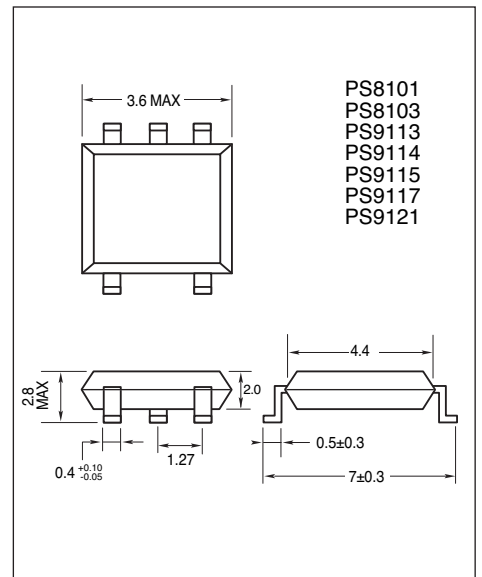
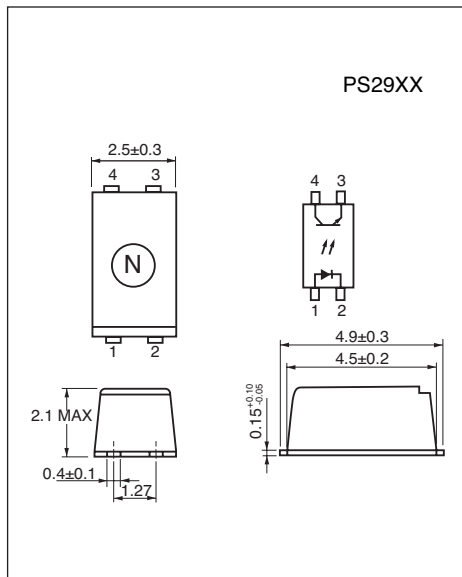
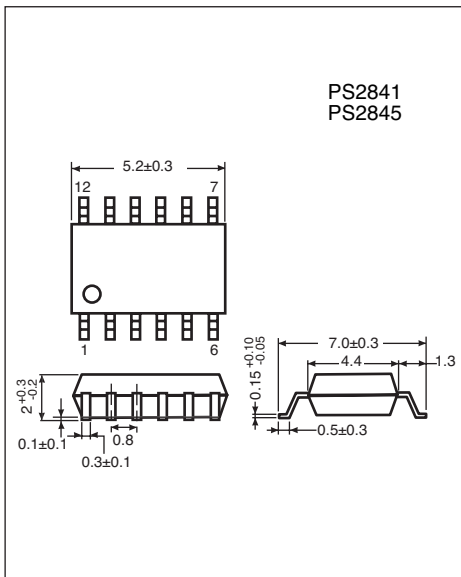
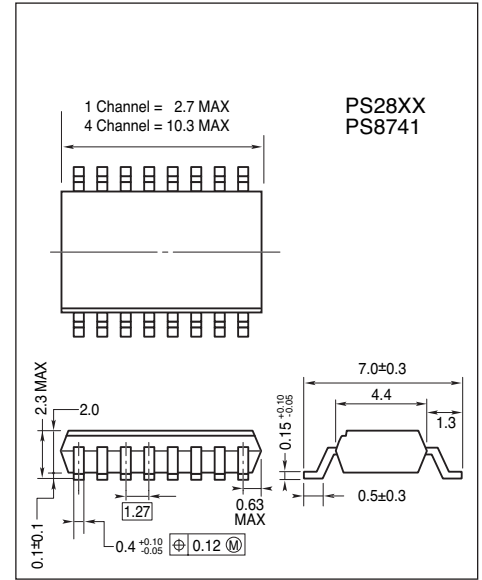
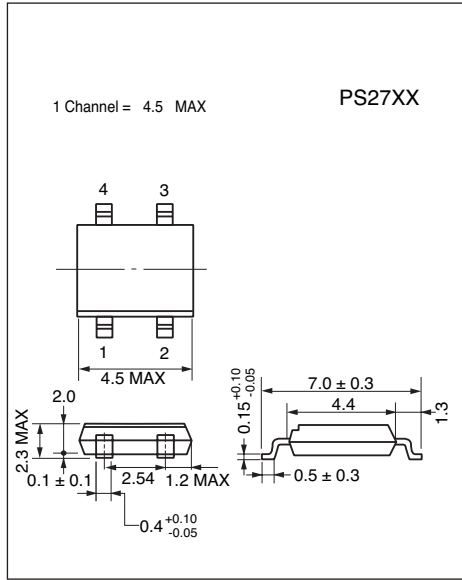
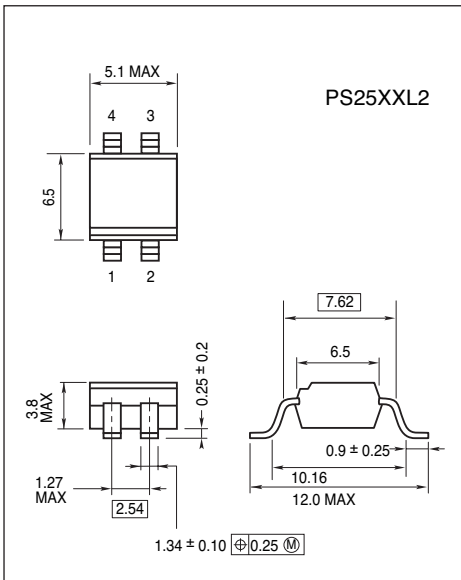
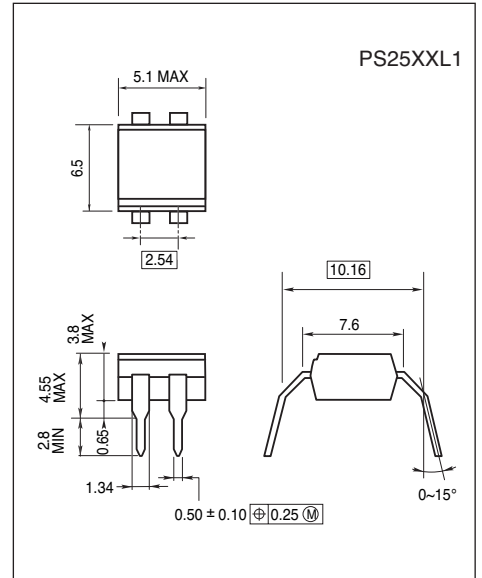
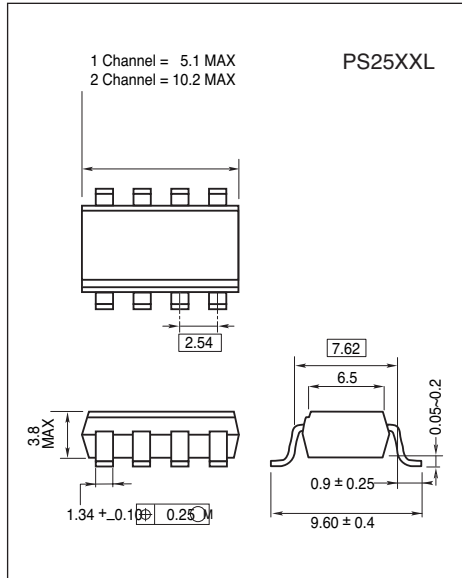
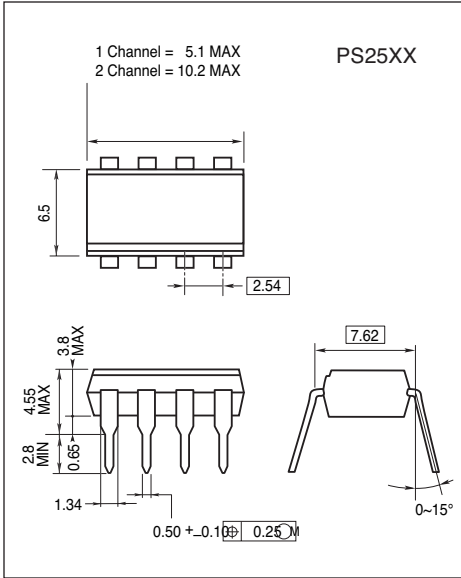
INTERNATIONAL SAFETY STANDARDS

NEC OPTOCOUPLER PARTS NUMBER				PS2501 PS2502 PS2503 PS2505 PS2506	PS2521 PS2525	PS2532 PS2533	PS2561 PS2562 PS2565 PS2566	PS2581	PS2701 to PS2707 PS2732 PS2733	PS2761 PS2765	PS2861 PS2865
PARAMETER (Units: mm) (Minimum Dist.)	Outer Creepage Distance			7.0	7.0	7.0	7.0	8.0	5.0	5.0	5.0
	Clearance Distance			7.5	7.5	7.5	7.5 or 10	8.0	5.0	5.0	5.0
	Isolation Distance			0.3	0.4	0.4	0.4	0.4	0.3/0.4	0.4	0.4
	Inner Creepage Distance			3.5	4.0	4.0	4.0	4.0	2.5	2.5	2.5
	Breakdown Voltage			5 kV	5 kV	5 kV	5 kV	5 kV	2.5 kV	2.5 kV	2.5 kV
Organization	Country	Standard No.	NEC Approval No.								
UL	USA	UL1577	E72422(S)	●	●	●	●	●	●	●	●
CSA	Canada	CSA-C22.2	CA101391			●	●	●	●	●	●
VDE	Germany	VDE0884		-		● 70934	● 68381	● 101306	● 5903UG	●	●
BSI	UK	BS415 EN-60-950	7112 (4 pin) 7250 (6 pin)	-		●	● 7112	●	● 8219	●	●
		BS7002 EN-60-950	7240 (4 pin) 7615 (6 pin)	-		●	● 7112	●	● 8220	●	●
SEMKO	Sweden	SS-441-01-65 SS-EN-60-950	9317144 9317144	-		-	●	●	-	●	△
				-		-	●	●	-	●	△
SETI	Finland	E 65-89 SFS-EN-60-950	167266-08 167265-08	-		-	●	●	-	●	△
				-		-	●	●	-	●	△
NEMKO	Norway	NEK-HD 195 S6 NEK-EN-60-950	A21409 A21409	-		-	●	●	-	●	△
				-		-	●	●	-	●	△
DEMKO	Denmark	Section 101 Section 137	300535 300535	-		-	●	●	-	●	△
				-		-	●	●	-	●	△

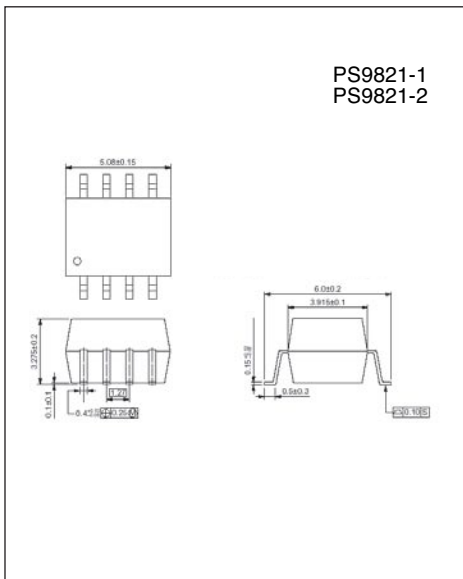
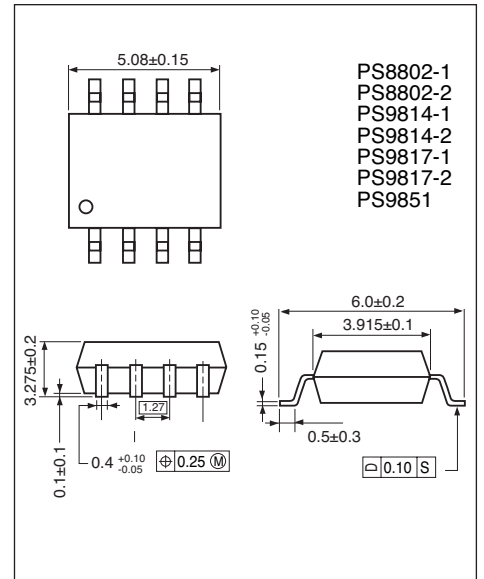
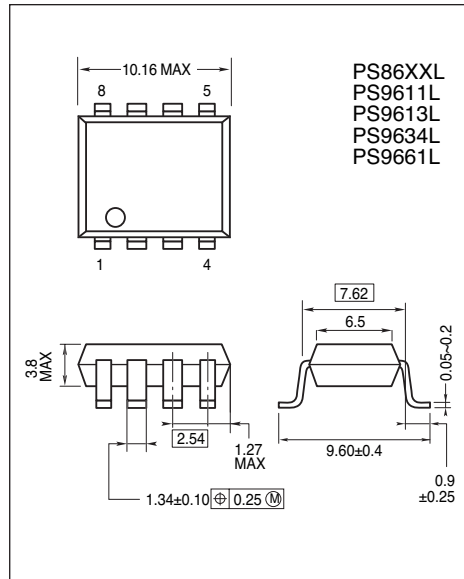
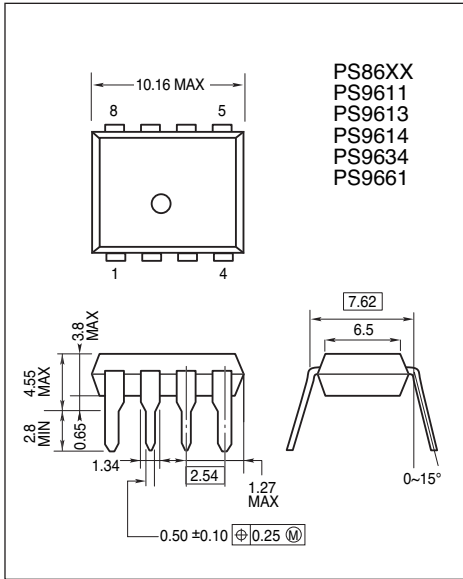
NEC OPTOCOUPLER PARTS NUMBER				PS2841 PS2845	PS2801 PS2805	PS2911 PS2913 PS2915 PS2932 PS2933	PS8601 PS8602	PS8101 PS8103 PS8741	PS9611 PS9613 PS9614	PS9634	PS9115 PS9114 PS9115	PS8802-1 PS8802-2 PS9801-1 PS9801-2
PARAMETER (Units: mm) (Minimum Dist.)	Outer Creepage Distance			5.0	5.0	4.0	7.0	5.0	7.0	7.0	5.0	-
	Clearance Distance			5.0	5.0	7.5	4.0	5.0	7.5	7.5	5.0	-
	Isolation Distance			0.4	0.3/0.4	0.5	0.4	0.2	0.4	0.4	0.2	-
	Inner Creepage Distance			2.5	2.5	4.0	4.0	2.5	4.0	4.0	25	-
	Breakdown Voltage			2 kV	2.5 kV	5 kV	2.5 kV	2.5 kV	5 kV	5 kV	2.5 kV	2.5 kV
Organization	Country	Standard No.	NEC Approval No.									
UL	USA	UL1577	E72422(S)	●	●	●	●	●	●	●	●	△
CSA	Canada	CSA-C22.2	CA101391	●	●	●	-	-	-	-	-	-
VDE	Germany	VDE0884		-	● 101378	●	● 91877	● 5939UG	●	● 76840	● 590UG	△
BSI	UK	BS415 EN-60-950	7112 (4 pin) 7250 (6 pin)	-	● 8315	●	● 8188	-	●	-	-	-
		BS7002 EN-60-950	7240 (4 pin) 7615 (6 pin)	-	● 8189	●	● 8004	-	●	-	-	-

● Approved - N/A △ Awaiting Approval

OPTOCOUPLER PACKAGE DIAGRAMS

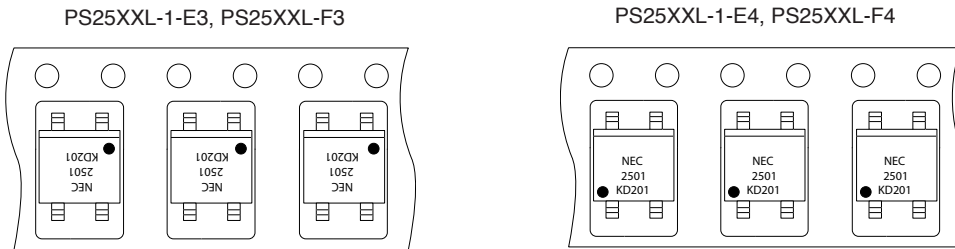


OPTOCOUPLER PACKAGE DIAGRAMS

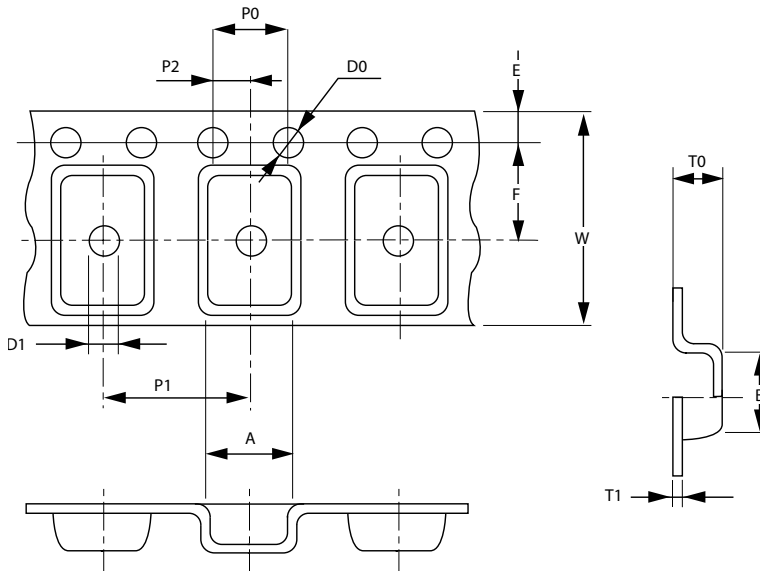


TAPING SPECIFICATIONS STYLE B-1

Taping Direction



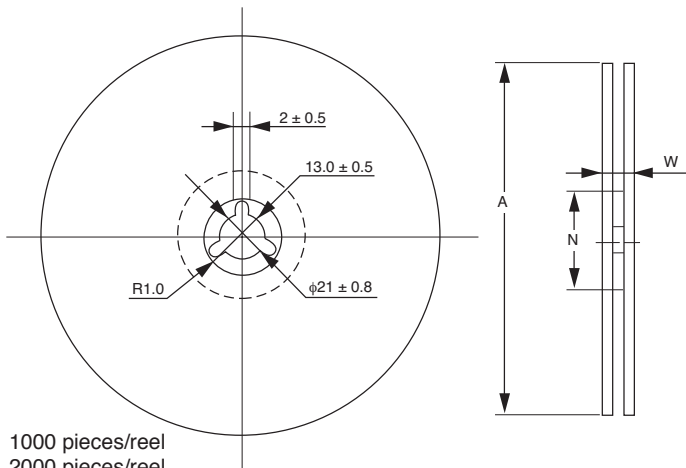
Outline and Dimensions (Tape)



Unit: mm

SYMBOL	RATINGS
A	5.6±0.1
B	10.3±0.1
D0	1.55±0.1
D1	1.55±0.1
E	1.75±0.1
F	75±0.1
P0	4±0.1
P1	8±0.1
P2	2±0.1
T0	4.3±0.2
T1	0.3
W	16±0.3

Outline and Dimensions (Reel)



Unit: mm

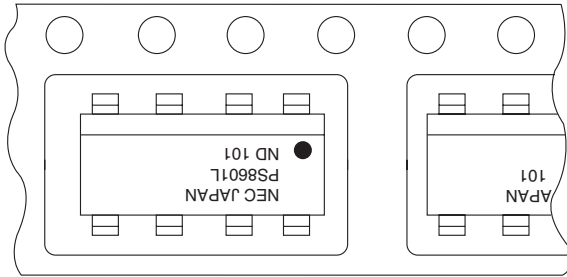
SYMBOL	RATINGS	
A	E3, E4	F3, F4
	250	330
N	80±5.0	
W	16.4 ^{+2.0}	

Packing: 1000 pieces/reel
2000 pieces/reel

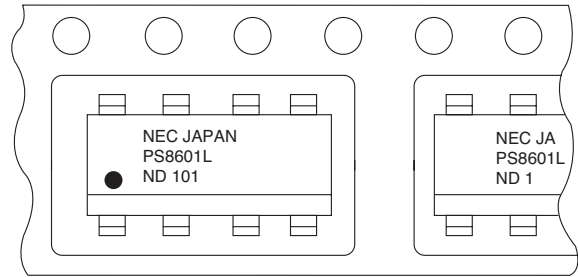
TAPING SPECIFICATIONS STYLE B-3

Taping Direction

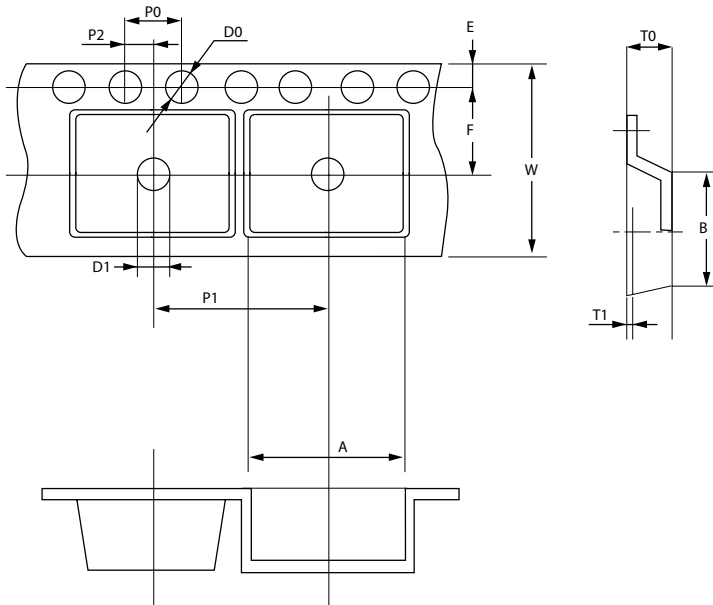
PS25XXL-E3
PS96XXL-E3
PS86XXL-E3



PS25XXL-E4
PS96XXL-E4
PS86XXL-E4



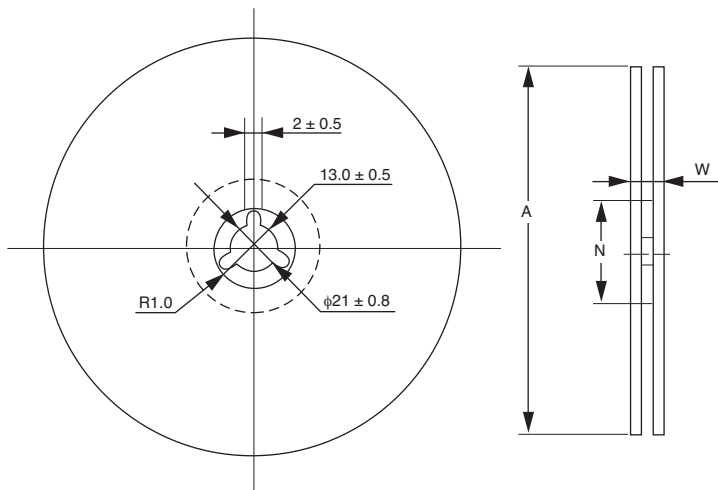
Outline and Dimensions (Tape)



Unit: mm

SYMBOL	RATINGS
A	10.7 ± 0.1
B	10.3 ± 0.1
D0	1.55 ± 0.1
D1	1.55 ± 0.1
E	1.75 ± 0.1
F	7.5 ± 0.1
P0	4.0 ± 0.1
P1	12.0 ± 0.1
P2	2.0 ± 0.1
T0	4.3 ± 0.2
T1	0.3
W	16 ± 0.3

Outline and Dimensions (Reel)



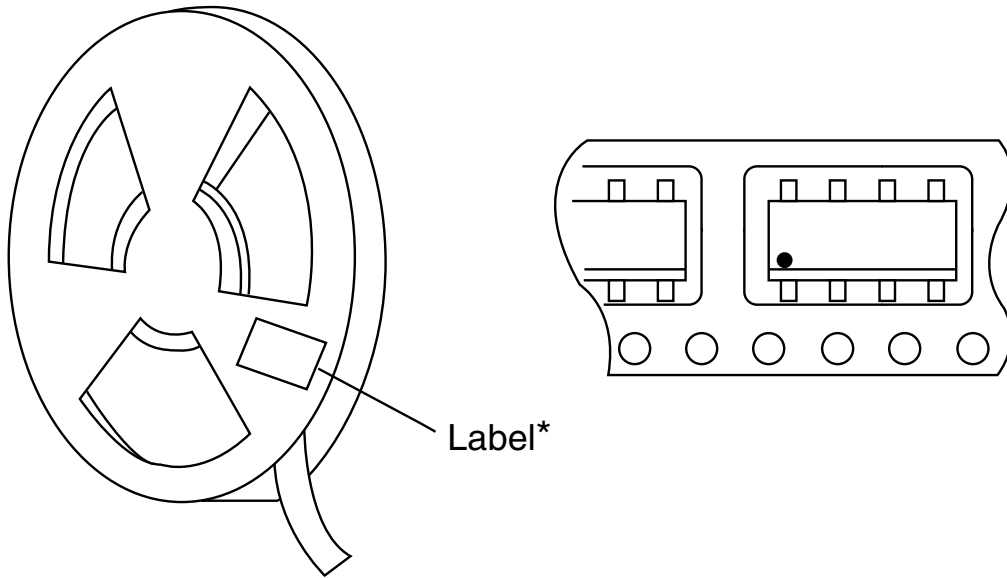
Unit: mm

SYMBOL	RATINGS
A	330
N	80 ± 5.0
W	16.4 ^{+2.0} ₋₀

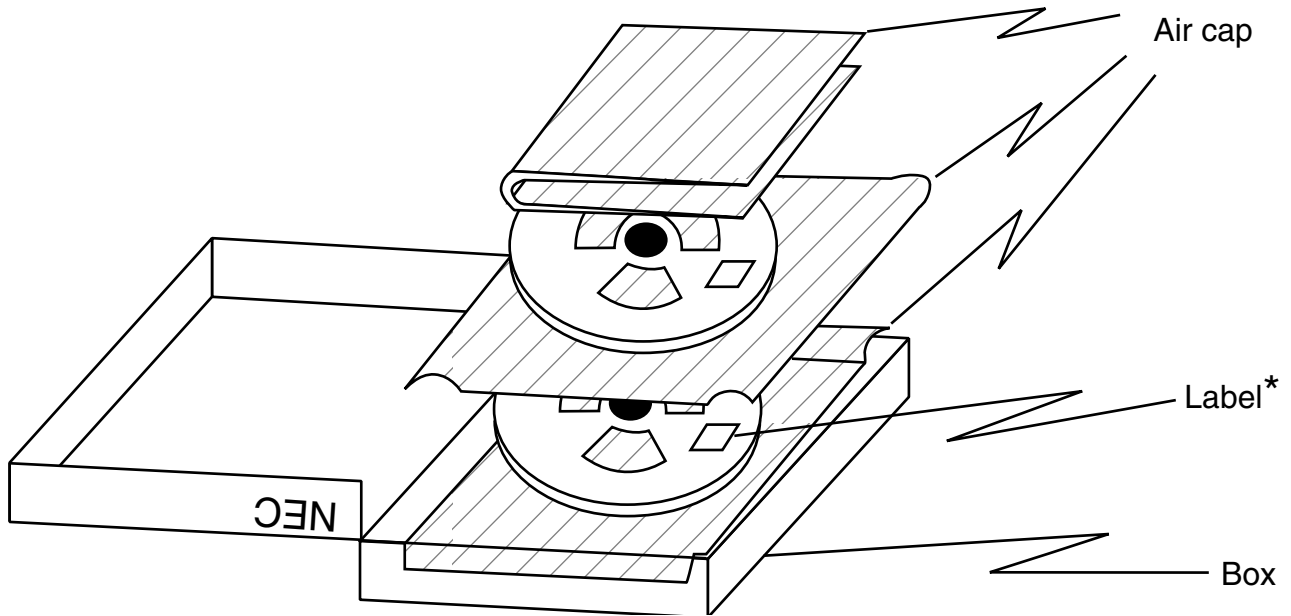
Packing: 1000 pieces/reel

TAPING SPECIFICATIONS STYLE B-1 AND B-3 continued

Container



Inner Box (Contains 2 Reels)



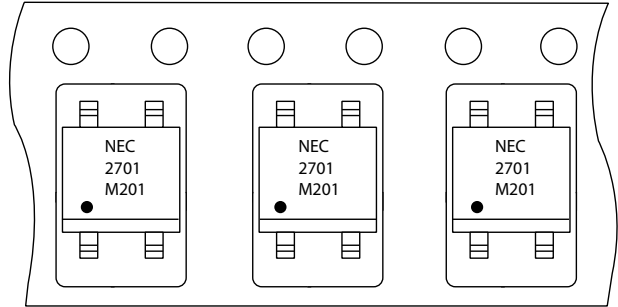
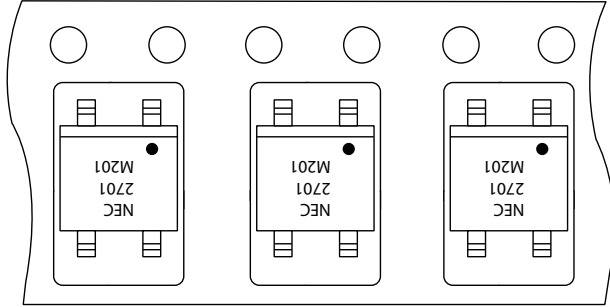
* [LABEL | PRODUCT NAME, QUANTITY, LOT NUMBER, CLASS]

TAPING SPECIFICATIONS STYLE B-4

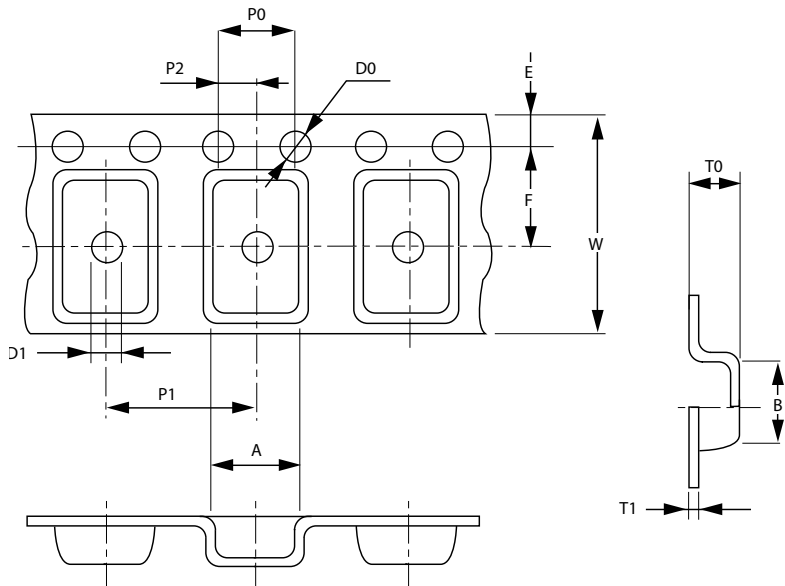
Taping Direction

PS27XX-1-E3, PS27XX-1-F3, PS81XX-E3, PS81XX-F3,
PS91XX-E3, PS91XX-F3

PS27XX-1-E4, PS27XX-1-F4, PS81XX-E4, PS81XX-F4
PS91XX-E4, PS91XX-F4



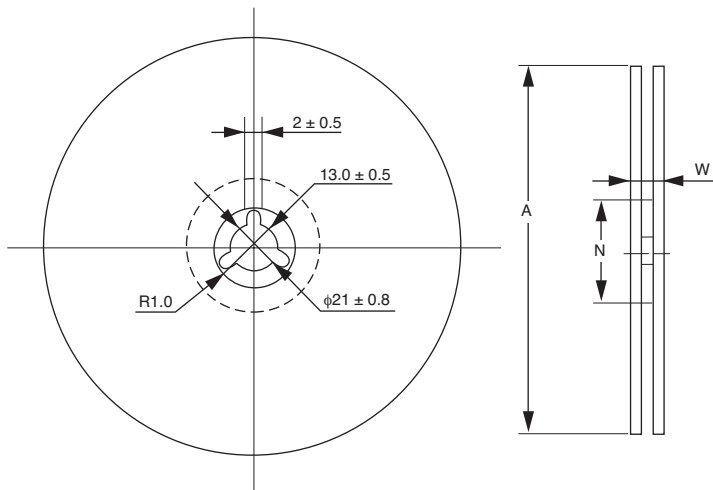
Outline And Dimensions (Tape)



Unit: mm

SYMBOL	RATINGS
A	4.6 ± 0.1
B	7.4 ± 0.1
D0	1.55 ± 0.1
D1	1.55 ± 0.1
E	1.75 ± 0.1
F	5.5 ± 0.1
P0	4 ± 0.1
P1	8 ± 0.1
P2	2 ± 0.1
T0	2.4 ± .1
T1	0.3
W	12 ± 0.1

Outline And Dimensions (Reel)



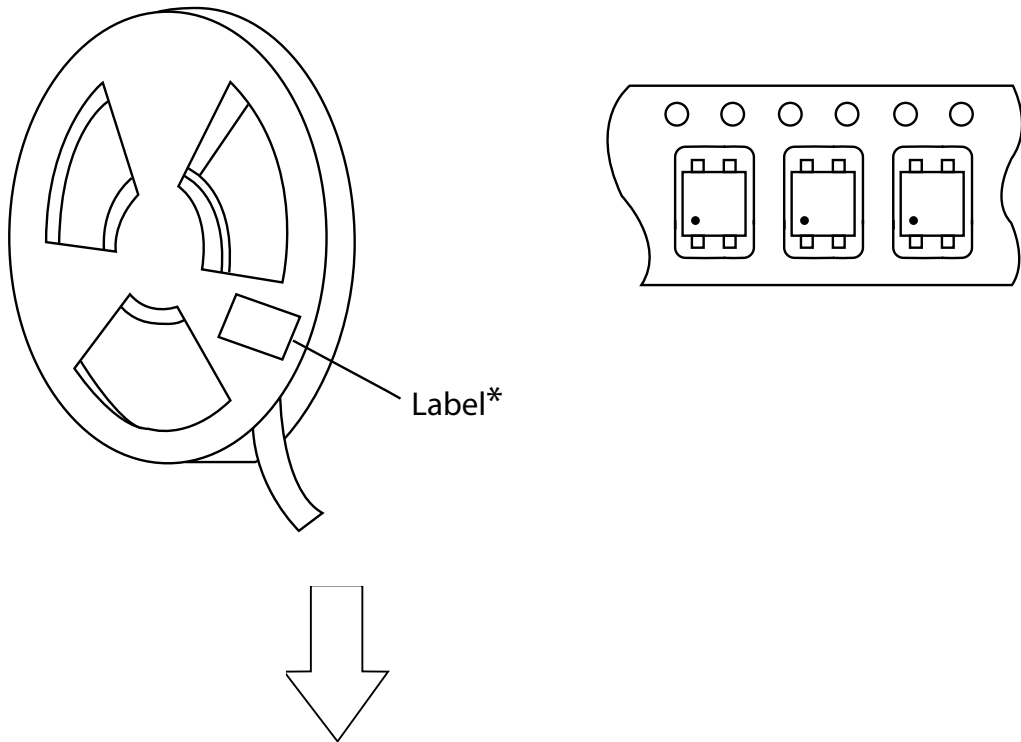
Unit: mm

SYMBOL	RATINGS	
	E3, E4	F3, F4
A	178	330
N	60	80
W	13.2 ± 1.0	12.4 $\begin{smallmatrix} \pm 2.0 \\ -0 \end{smallmatrix}$

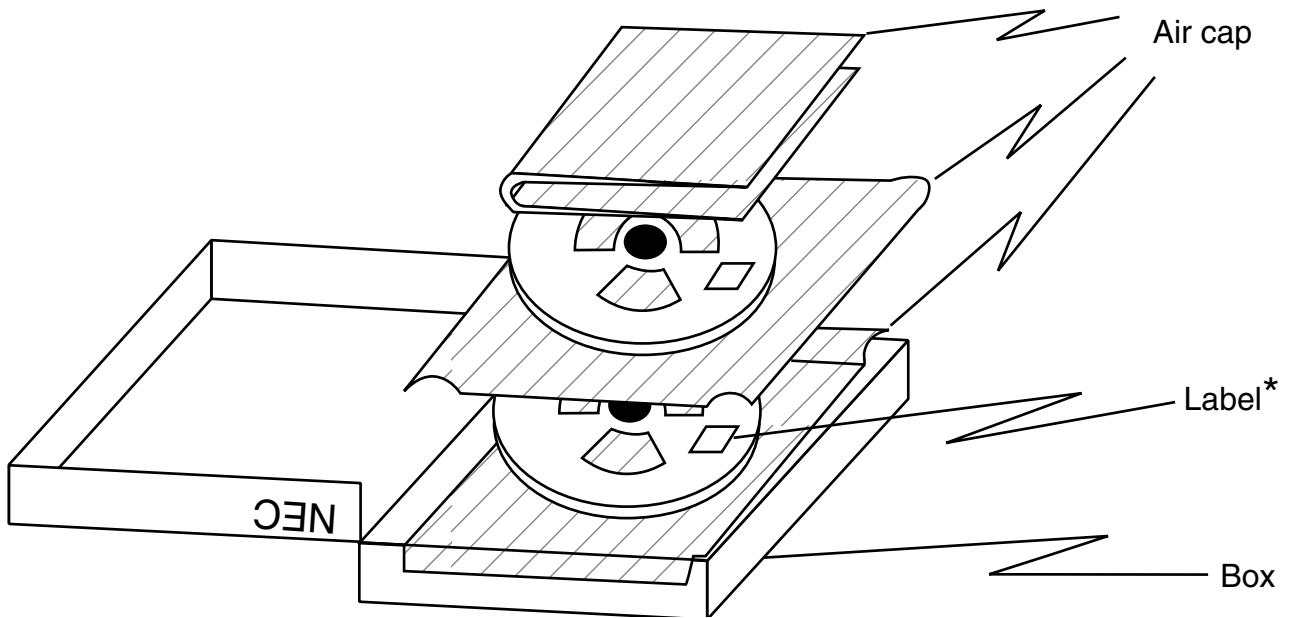
Packing: 900 pieces/reel E3, E4
3500 pieces/reel F3, F4

TAPING SPECIFICATIONS STYLE B-4 continued

Container



Inner Box (Contains 2 Reels)

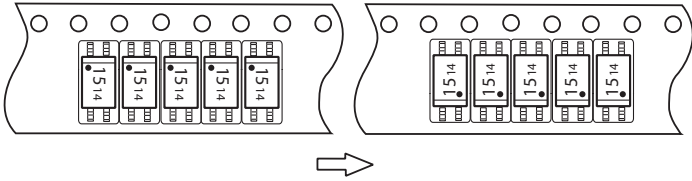


* LABEL | PRODUCT NAME, QUANTITY, LOT NUMBER, CLASS

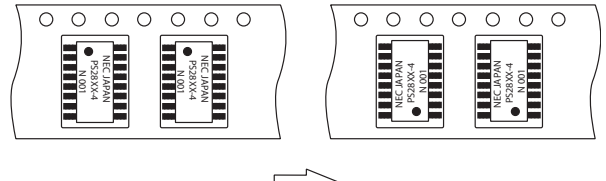
TAPING SPECIFICATIONS STYLE B-5

Taping Direction

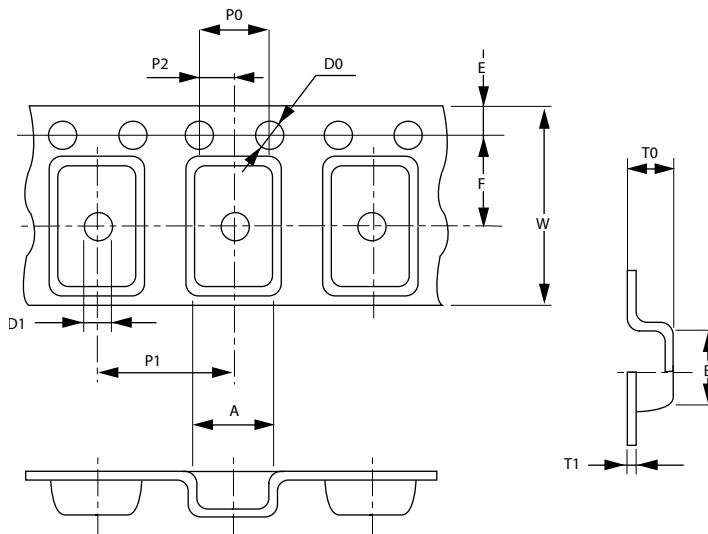
PS28XX-1-F3, PS28XX-1-F4



PS28XX-4-F3, PS28XX-4-F4



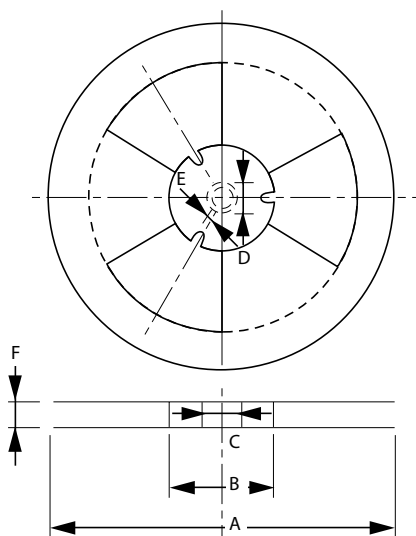
Outline and Dimensions (Tape)



SYMBOL	Ratings (Unit: mm)	
	PS2801-1-F3*	PS2801-4-F3
A	3.3 ± 0.1	7.6 ± 0.1
B	7.5 ± 0.1	10.45 ± 0.1
D0	1.55 ± 0.1	1.55 ± 0.1
D1	1.55 ± 0.1	1.55 ± 0.1
E	1.75 ± 0.1	1.75 ± 0.1
F	7.5 ± 0.1	7.5 ± 0.1
P0	4 ± 0.1	4 ± 0.1
P1	4 ± 0.1	12 ± 0.1
P2	2 ± 0.1	2 ± 0.1
T0	2.5 ± 0.1	2.5 ± 0.1
T1	0.3	0.3
W	16 ± 0.3	16 ± 0.3

* Under Development

Outline and Dimensions (Reel)



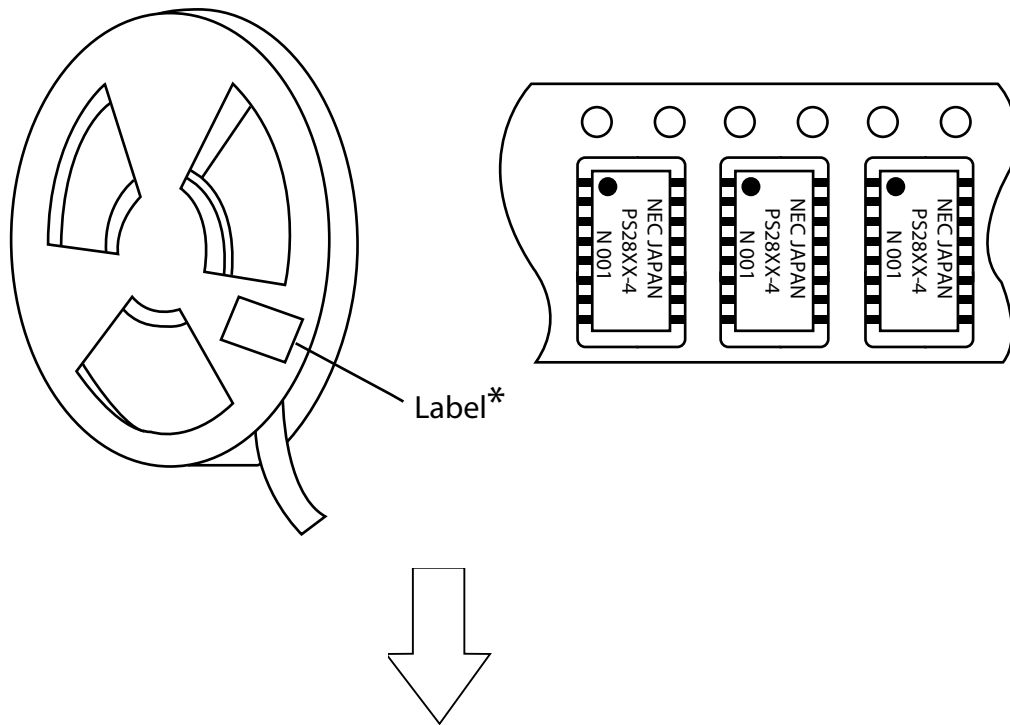
SYMBOL	Ratings (Unit: mm)	
	PS2801-1-F3*	PS2801-4-F3
A	330	330
B	100	100
C	13 ± 1	13 ± 1
D	21 ± 0.8	21 ± 0.8
E	2.0 ± 0.5	2.0 ± 0.5
F	16.4 ± 0.2	16.4 ± 0.2

* Under Development

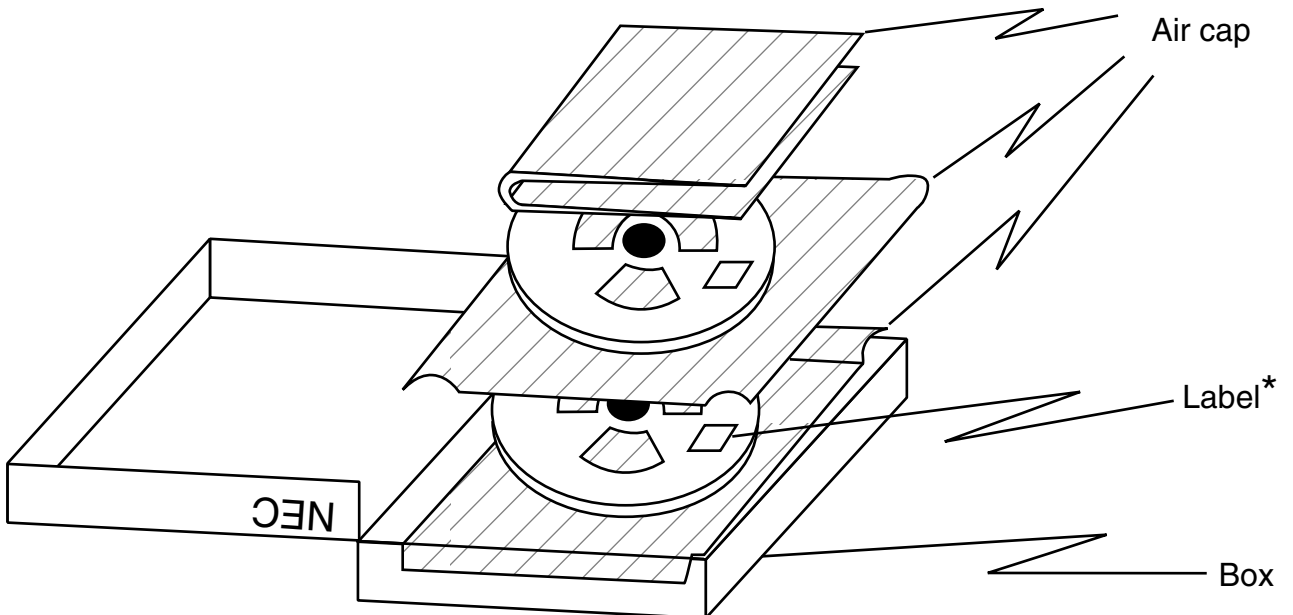
Packing: PS28XX-1-F3 3500 pieces/reel
PS28XX-4-F3 2500 pieces/reel

TAPING SPECIFICATIONS STYLE B-5 continued

Container



Inner Box (Contains 2 Reels)



* LABEL | PRODUCT NAME, QUANTITY, LOT NUMBER, CLASS

CEL California Eastern Laboratories, Your source for NEC RF, Microwave, Optoelectronic, and Fiber Optic Semiconductor Devices.
4590 Patrick Henry Drive • Santa Clara, CA 95054-1817 • (408) 988-3500 • FAX (408) 988-0279 • www.cel.com

DATA SUBJECT TO CHANGE WITHOUT NOTICE

06/30/2005