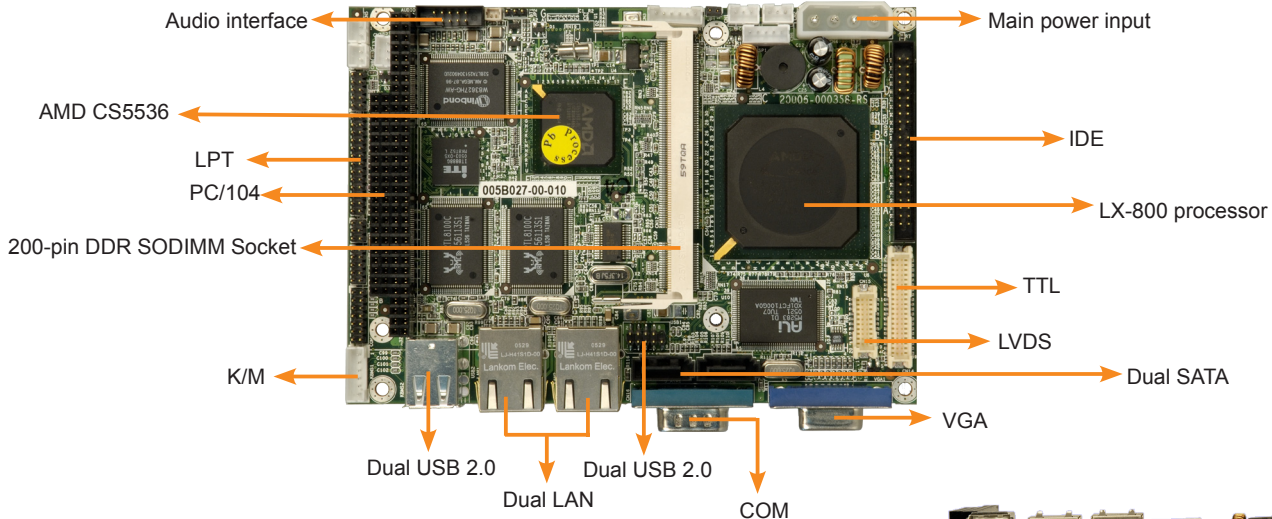


WAFER-LX

6W Only Low Power Consumption
RAID 0, 1 JBOD Function Support

3.5" SBC with AMD® Geode LX800 onboard Processor CRT,LCD/LVDS,Dual LAN and SATA



WAFER-LX I/O Interface

Feature

1. 3.5" Form factor, AMD LX800 processor embedded board with RoHS compliance
2. DDR 333/400 SO-DIMM SDRAM up to 1GB
3. Complete I/O support with 2xSATA, IDE, CFII, PC/104, dual LAN, and 4xUSB2.0
4. 18-bit TTL/ LVDS support simultaneous flat panel and CRT
5. Value embedded applications, low power, fanless, support Windows® XP/CE/XPe
6. The best choice for Thin Client. Windows® CE 5.0, XPe OS image with ICA, RDP & IE APs ready

Specification

DDR400

Fanless

HI-SPEED
CERTIFIED
USB

SERIAL
ATA

Windows
Embedded

- ◆ **CPU**
AMD® Geode LX-800 processor
- ◆ **Cache Memory**
64K I/ 64k D L1 cache, 128K L2 cache
- ◆ **System Chipset**
AMD® CS5536
- ◆ **BIOS**
AWARD
- ◆ **System Memory**
1 x 200-pin DDR 333/400MHz SO-DIMM SDRAM socket support up to 1GB
- ◆ **Ethernet**
10/100Base-T dual RTL8100C
- ◆ **I/O**
I/O Interface
4 x USB 2.0
2 x SATA
1 x LPT
1 x FDD
1 x CFII
2 x RS-232
1 x RS-422/485
1 x PS/2 KB/MS
1 x IDE

- ◆ **Super I/O**
W83627EHG
- ◆ **Audio**
AC'97 Codec Realtek ALC203
- ◆ **Display**
CRT integrated in AMD® Geode LX800
TTL/ LVDS
18-bit single channel TFT LCD
- ◆ **Watchdog Timer**
Software programmable supports 1~255 sec. system reset
- ◆ **Power Supply**
+5V± 5%, AT/ATX power support
- ◆ **Power Consumption**
+5V@1.2A (AMD LX 800 with DDR400 1GB RAM)
- ◆ **Temperature**
Operation: 0° to 60°C
- ◆ **Humidity**
Operation: 5% to 95%,
- ◆ **Dimension**
145 x 102mm
- ◆ **Weight**
GW: 670g; NW: 230g

Powerful WAFER-LX

– Flexible and Powerful Capabilities Design in a Small Form Factor

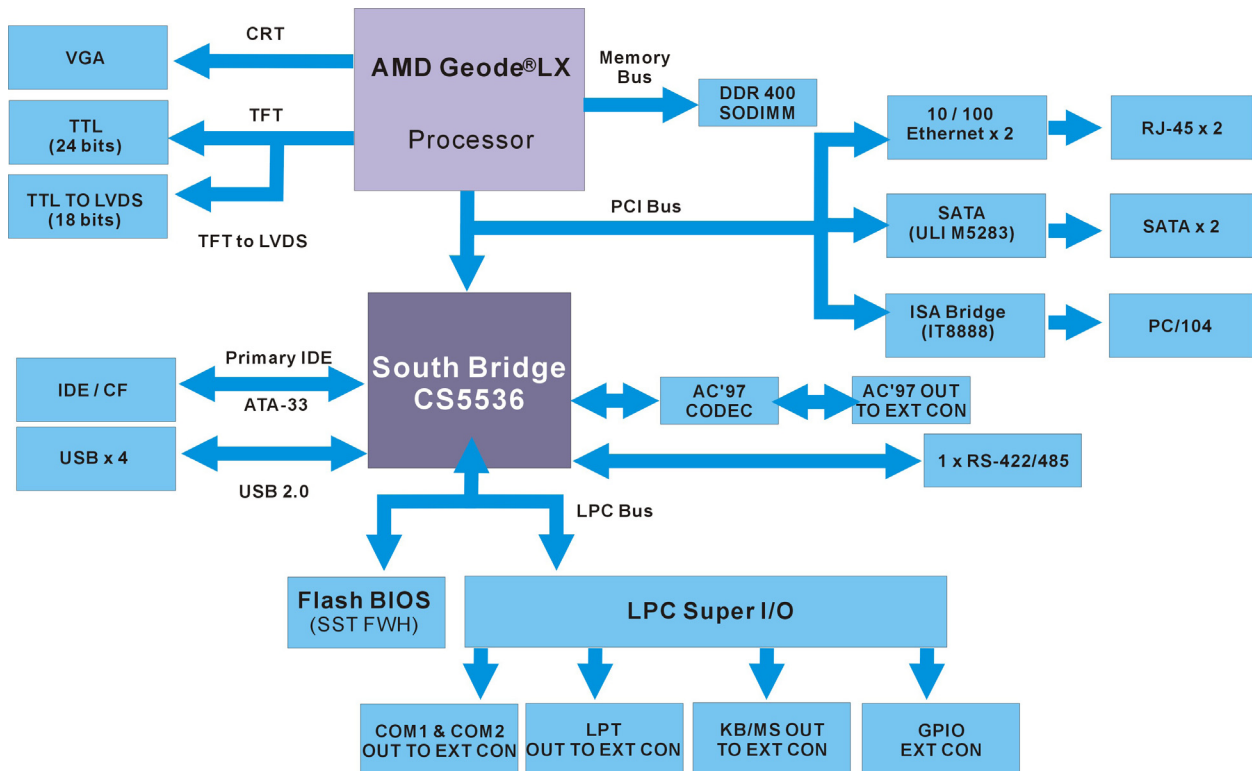
The IEI WAFER-LX SBC is based on 3.5" form factor technology, and provides a complete system design package (include Hardware, OS, Applications) that gives best flexibility, versatility, and enhanced capabilities, all in a small-sized package that measures approximately 146X102 mm.

– More Powerful, Less Power Consumption x86 Architecture

The IEI WAFER-LX series are driven by AMD® Geode LX 800 @0.9W (core) processor, with enhanced memory and graphic engine, delivers the capabilities and flexibility of the x86 instruction set with the power to run current operating systems.

– Enhance TTL, LVDS, SATA, and USB2.0 ready for all kind of possibility solutions.

Board Diagram



Packing List

1 x WAFER-LX800 single board computer	1 x PS/2 KB/MS cable (P/N: 32000-023800-RS)
1 x Mini jumper pack	1 x USB cable (P/N: 32000-070300-RS)
1 x IDE flat cable 44p/44p (P/N: 32200-000009-RS)	1 x RS-232 cable (P/N: 32200-000061-RS)
2 x SATA cable (P/N: 32000-0628000-RS)	1 x Utility CD
1 x SATA power cable (P/N: 32100-086600-RS)	1 x QIG (quick installation guide)
1 x Audio cable (P/N: 32000-072100-RS)	

Ordering Information

Part No.	Description
WAFER-LX-800-R10	3.5" SBC with AMD LX 800 processor, Audio, CRT, LCD/LVDS, Dual LAN and SATA connectors
WAFER-LX-WINXPE	3.5" SBC with AMD LX 800 processor, 256 DDR SO-DIMM Memory, Audio, CRT, LCD/LVDS, Dual LAN, SATA, IFM 512MB and Windows® XP Embedded image
WAFER-LX-CENET050	3.5" SBC with AMD LX 800 processor, 256 DDR SO-DIMM Memory, Audio, CRT, LCD/LVDS, Dual LAN, SATA, IFM 32MB and Windows® CE 5.0 image
WAFER-LX-CLIENT-XPE	3.5" SBC with AMD LX 800 processor, 256 DDR SO-DIMM Memory, Audio, CRT, LCD/LVDS, Dual LAN, SATA, IFM 512MB, Windows® XP Embedded image and thin client package.
WAFER-LX-CLIENT-CENET050	3.5" SBC with AMD LX 800 processor, 256 DDR SO-DIMM Memory, Audio, CRT, LCD/LVDS, Dual LAN, SATA, IFM 64MB, Windows® CE 5.0 image and thin client package.
32200-015100-RS	LPT cable



Headquarters

IEI Technology Corp.

TEL : +886-2-86916798 FAX : +886-2-66160028
 sales@ieiworld.com www.ieiworld.com
 No. 29, Jhongsing Rd., Sijhih City, Taipei County, 221, Taiwan

America-United States

IEI Technology USA Corp.

TEL : +1-562-690-6677 FAX : +1-562-690-0898
 sales@usa.ieiworld.com www.usa.ieiworld.com
 515 N. Puente St., Brea, CA 92821

China

Armorlink SH Corp.

TEL : +86-021-54429000 FAX : +86-021-54429100
 sales@ieiworld.com.cn www.ieiworld.com.cn
 No.515, Shenfu Road, Minhang District, Shanghai, China