

**SUPER FLUX LED LAMP, 4PIN LED**
**BL-FL7660xx**
**■ Features:**

- 7.62\*7.62\*4.0MM, 3MM ROUND SUPER FLUX LED LAMP
- Ultra brightness.
- Wide Viewing Angles.
- Ideal For Backlight and Indicator
- RoHs Compliance


**■ Electrical-optical characteristics: (Ta=25°C) (Test Condition: IF=20mA)**

Part Number	Chip			Lens Type	Forward Voltage(VF) Unit:V		Luminous Intensity (Iv) Unit:mcd		Viewing Angle 2θ1/2 (deg)
	Emitted Color	Material	λp (nm)		Typ	Max	Min.	Typ.	
					BL-FL7660URC	Ultra Red	AlGaAs,DDH	660	
BL-FL7660UEC	Ultra Orange	AlGaInP	630	2.10	2.50	800	1500		
BL-FL7660UYC	Ultra Yellow	AlGaInP	590	2.10	2.50	600	1300		
BL-FL7660UGC	Ultra Green	AlGaInP	574	2.20	2.50	200	700		
BL-FL7660PGC	Ultra Pure Green	InGaN	525	3.80	4.50	1000	5000		
BL-FL7660BGC	Ultra Bluish Green	InGaN	505	3.80	4.50	800	4000		
BL-FL7660UBC	Ultra Blue	InGaN	470	3.00	4.20	800	2000		
BL-FL7660UVC	UV	InGaN	405	3.00	4.20	180	220		
BL-FL7660UWC	Ultra White	InGaN	/	3.00	4.20	1000	5000		

**■ Absolute maximum ratings (Ta=25°C)**

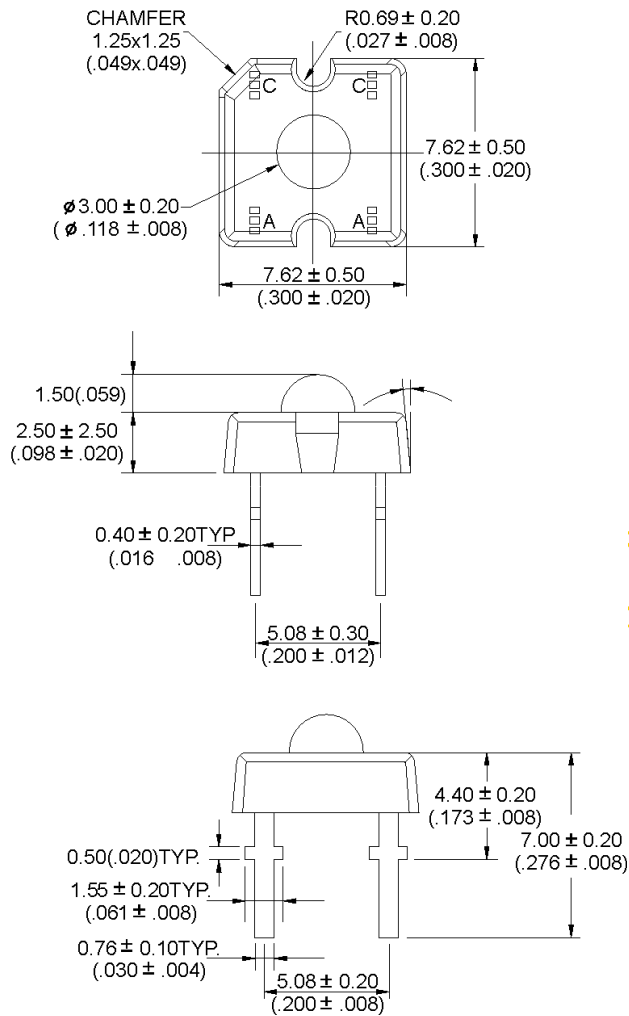
Parameter	UR	UE	UY	UG	PG	BG	UB	W	Unit
Forward Current I <sub>F</sub>	25	30	30	30	30	30	30	30	mA
Power Dissipation P <sub>d</sub>	60	65	65	75	110	110	120	120	mW
Reverse Voltage V <sub>R</sub>	5	5	5	5	5	5	5	5	V
Peak Forward Current I <sub>PF</sub> (Duty 1/10 @1KHZ)	150	150	150	150	150	100	100	100	mA
Operation Temperature T <sub>OPR</sub>	-40 to +80								°C
Storage Temperature T <sub>STG</sub>	-40 to +85								°C
Lead Soldering Temperature T <sub>SOL</sub>	Max.260±5°C for 3 sec Max. (1.6mm from the base of the epoxy bulb)								°C

**SUPER FLUX LED LAMP, 4PIN LED**

**BL-FL7660xx**

■ **Package configuration & Internal circuit diagram**

**BL-LF7660 Series**



JX.COMM

**Notes:**

1. All dimensions are in millimeters (inches)
2. Tolerance is ±0.25(0.01")unless otherwise noted.
3. Specifications are subject to change without notice.

**SUPER FLUX LED LAMP, 4PIN LED**

**BL-FL7660xx**

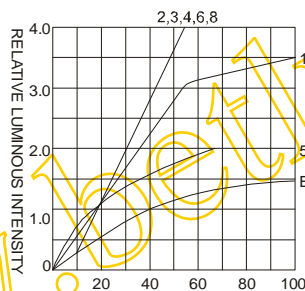
■ **Typical electrical-optical characteristics curves:**



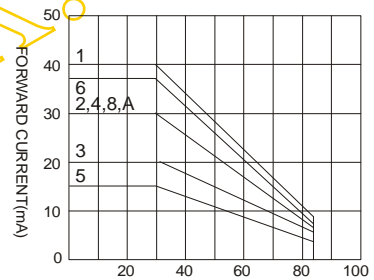
- |   |                                      |
|---|--------------------------------------|
| (1) - GaAsP/GaAs 655nm/Red                | (9) - GaAlAs 880nm                   |
| (2) - GaP 570nm/Yellow Green              | (10) - GaAs/GaAs & GaAlAs/GaAs 940nm |
| (3) - GaAsP/GaP 585nm/Yellow              | (A) - GaN/SiC 430nm/Blue             |
| (4) - GaAsP/GaP 635nm/Orange & Hi-Eff Red | (B) - InGaN/SiC 470nm/Blue           |
| (5) - GaP 700nm/Bright Red                | (C) - InGaN/SiC 505nm/Ultra Green    |
| (6) - GaAlAs/GaAs 660nm/Super Red         | (D) - InGaN/SiC 525nm/Ultra Green    |
| (8) - GaAsP/GaP 610nm/Super Red           |                                      |



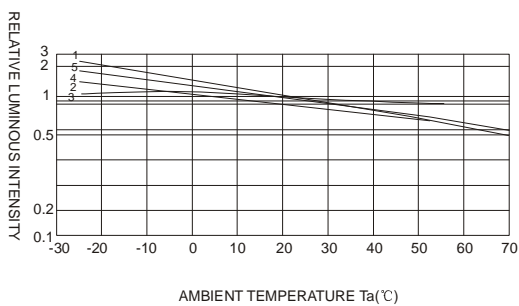
FORWARD VOLTAGE (Vf)  
FORWARD CURRENT VS.  
FORWARD VOLTAGE



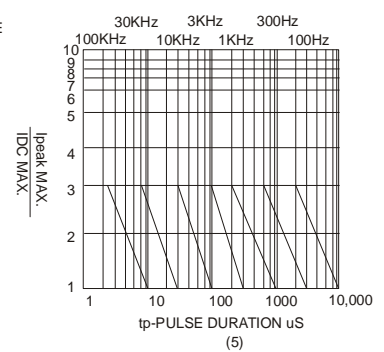
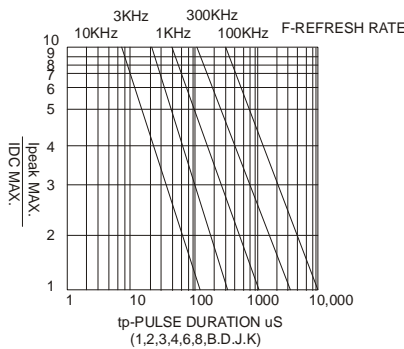
FORWARD CURRENT (mA)  
RELATIVE LUMINOUS  
INTENSITY VS. FORWARD  
CURRENT



AMBIENT TEMPERATURE Ta(°C)  
FORWARD CURRENT VS. AMBIENT  
TEMPERATURE



AMBIENT TEMPERATURE Ta(°C)



NOTE:25°C free air temperature unless otherwise specified