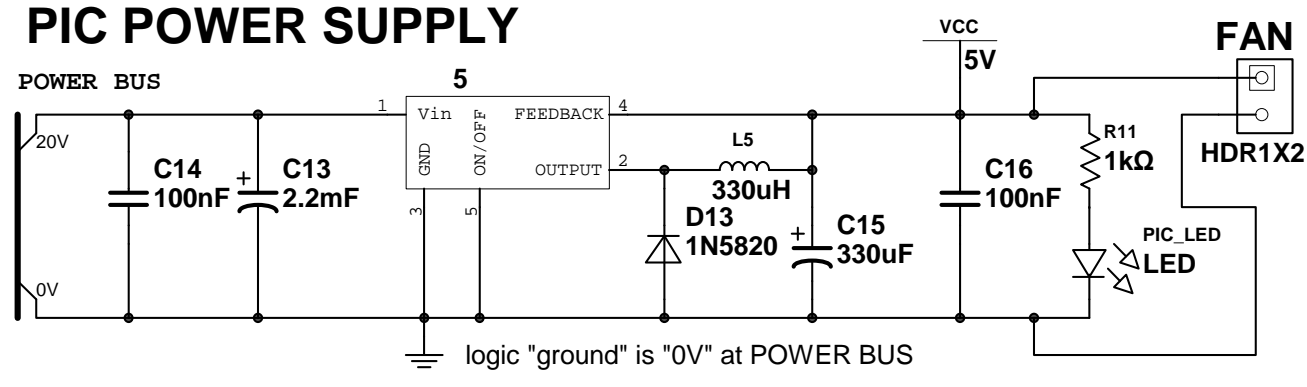


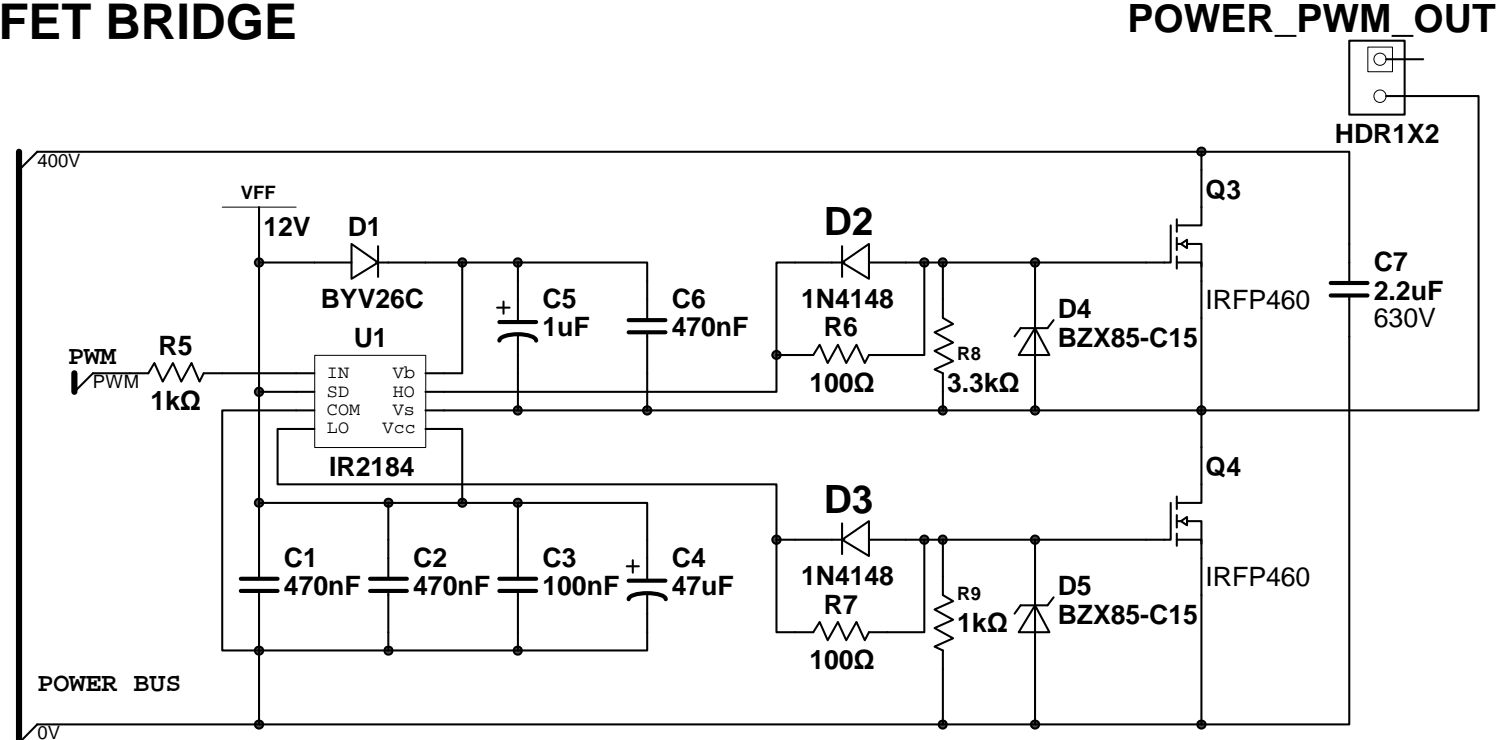
POWER SUPPLY BOARD [400HZ, 115VAC, 3A; 27VDC 3A]

ICI ZRT

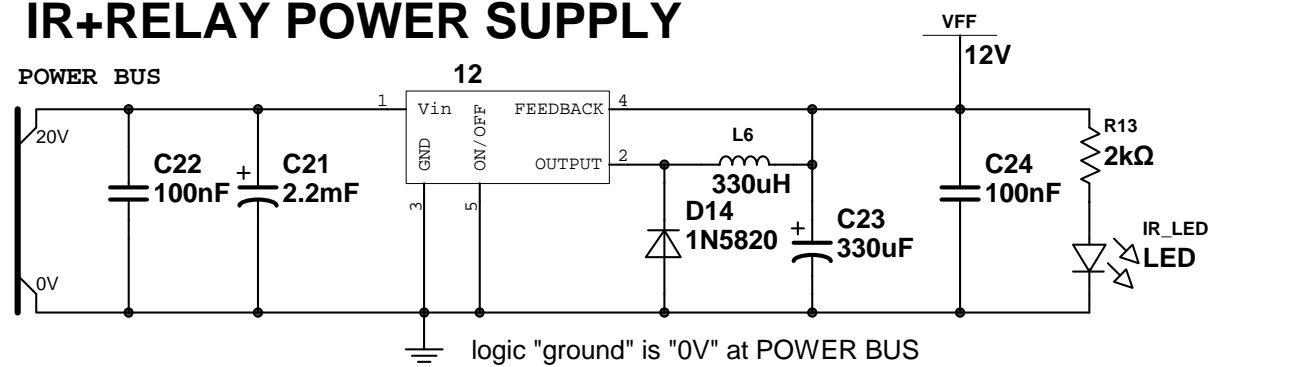
PIC POWER SUPPLY



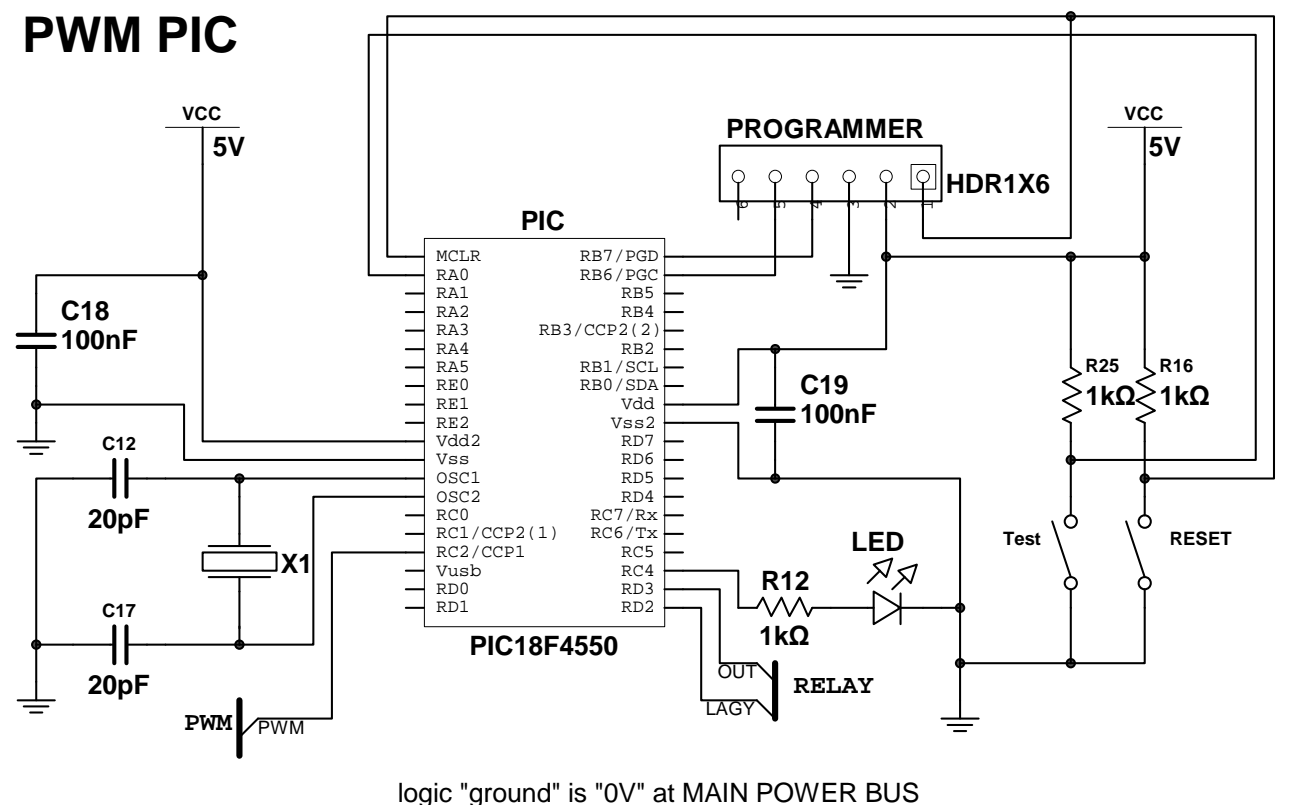
FET BRIDGE



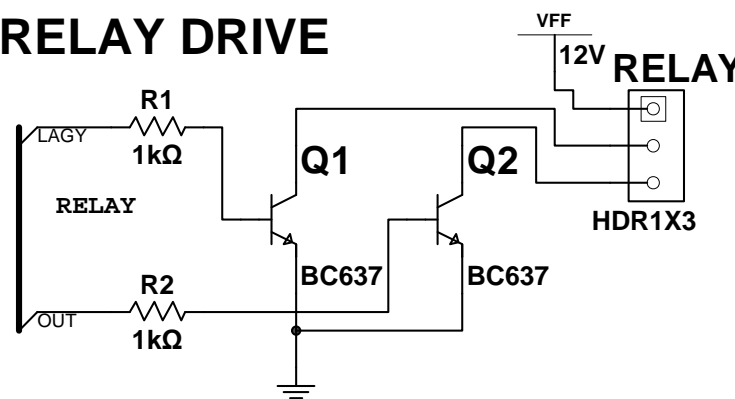
IR+RELAY POWER SUPPLY



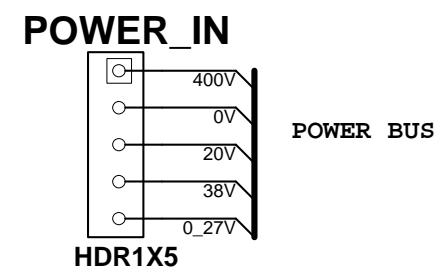
PWM PIC



RELAY DRIVE



POWER IN



27VDC POWER SUPPLY

