

SPECIFICATIONS

Music Power Output: 2 x 140 watts at 4 ohms, 1kHz (DIN)
 2 x 100 watts at 8 ohms, 1kHz (DIN)

Continuous Power Output: 2 x 100 watts at 4 ohms, 1kHz (DIN)
 2 x 75 watts at 8 ohms, 1kHz (DIN)
 70 watts per channel, min. RMS, at 8 ohms, both channels driven, from 20 Hz to 20 kHz, with no more than 0.018% THD.

Total Harmonic Distortion: 0.018% at rated power
 IM Distortion: 0.005% at rated power
 Damping Factor: 50 at 8 ohms
 Frequency Response: 2 - 50,000 Hz ± 1 dB
 RIAA Deviation (MM): 20 - 20,000 Hz ± 0.5 dB
 Sensitivity and Impedance: Phono(MM): 2.5 mV/50 kohms
 Phono(MC): 160 μV/100/220 ohms
 Tuner: 150 mV/50 kohms
 Tape Play: 150 mV/50 kohms
 Tape Rec: 150 mV/1.5 kohms (phono)

Phono Overload: 200 mV RMS at 1 kHz, 0.018% THD

Bass Control: ±8 dB at 70 Hz

Treble Control: ±8 dB at 20,000 Hz

Signal to Noise Ratio: Phono(MM): 80 dB (IHF A-202, 5 mV input, 1 watt output)

Phono(MC): 70 dB (IHF A-202, 0.5 mV input, 1 watt output)

Tuner & Tape: 84 dB (IHF A-202, 0.5 V input, 1 watt output)

Muting: -20 dB

Loudness Control: +6 dB at 70 Hz, +5 dB at 20 k Hz

Subsonic Filter: 15 Hz (6 dB/Octave)

High Cut (TREBLE MIN): 6 kHz (6 dB/Octave)

General

Power Supply: AC220V, 50Hz

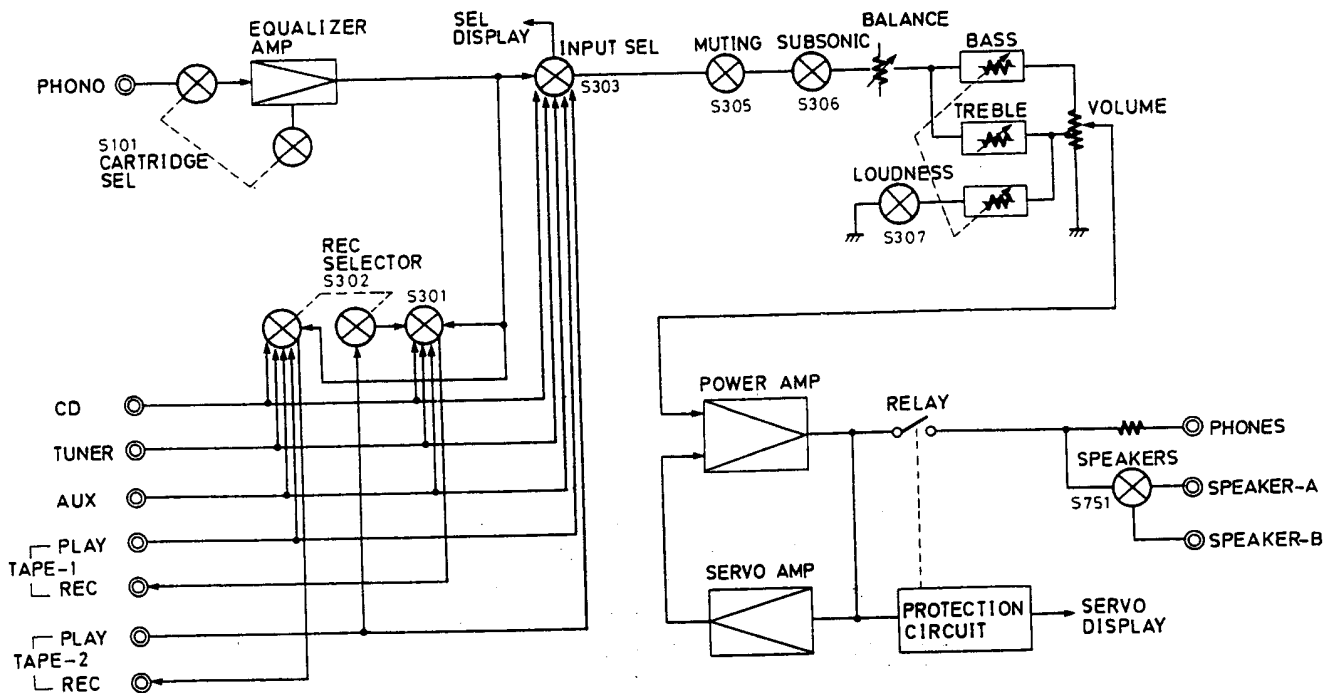
Semiconductors: IC: 4 TR: 38 Diode: 43

Dimensions: 435(W) x 144(H) x 391(D)mm
 17-1/8" x 5-5/8" x 15-3/8"

Weight: 10.5 kg. (23.2 lbs.)

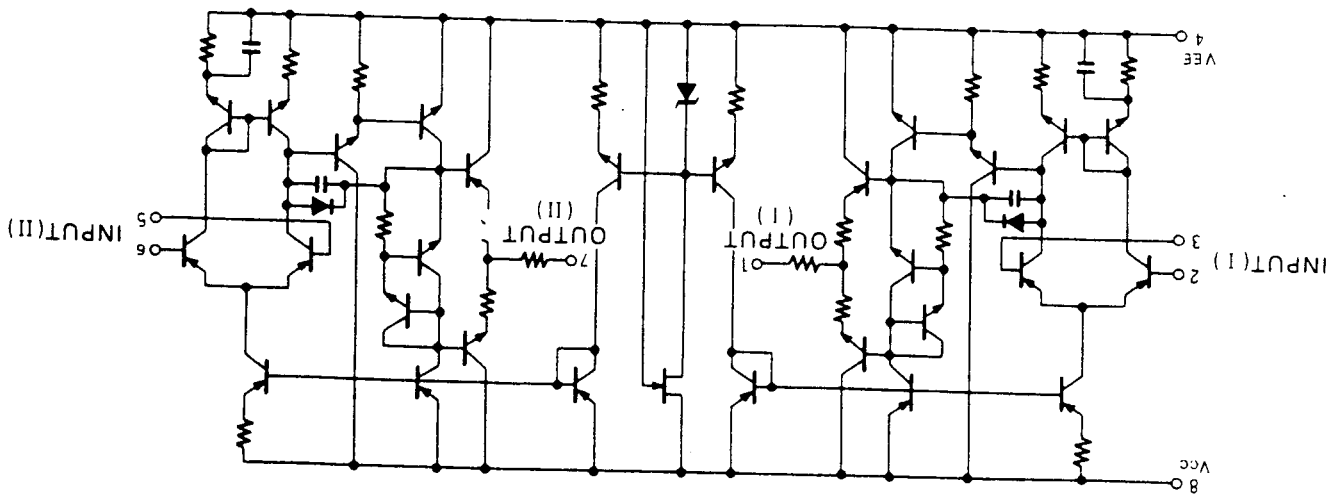
Specifications and features are subject to change without notice.

BLOCK DIAGRAM

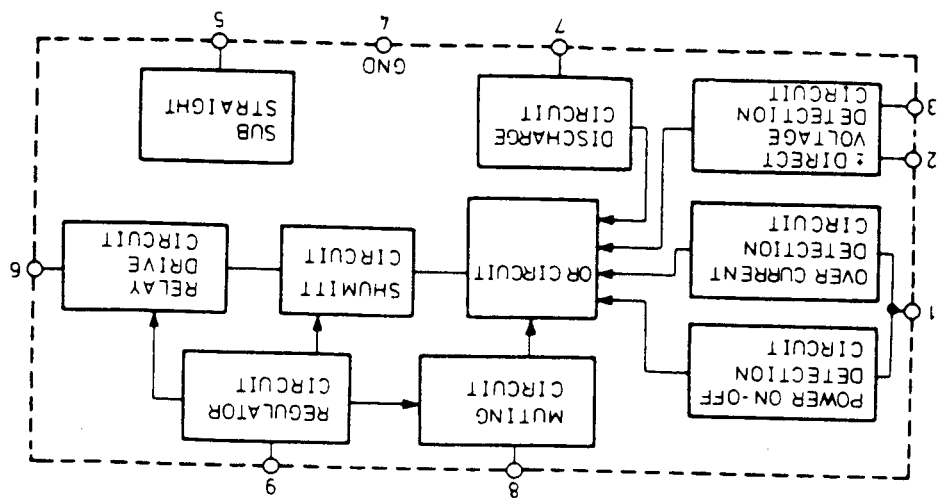


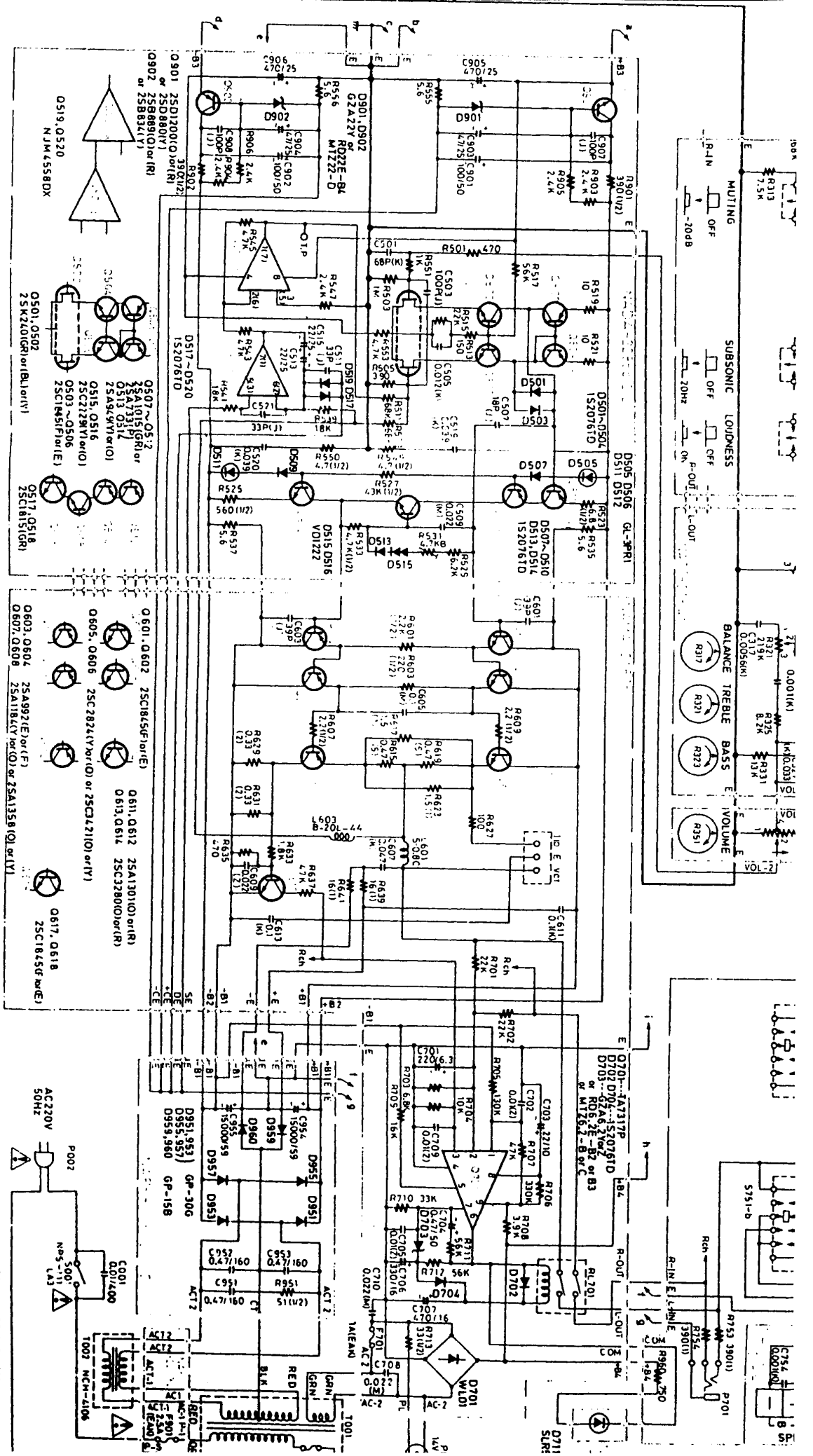
IC BLOCK DIAGRAM

NJM-4560DX, NJM-4558DX



TA7317P





ONKYO COR.

A.2

1001 NP1854C 220V model
NP1854D 220V model