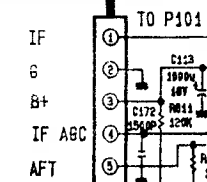
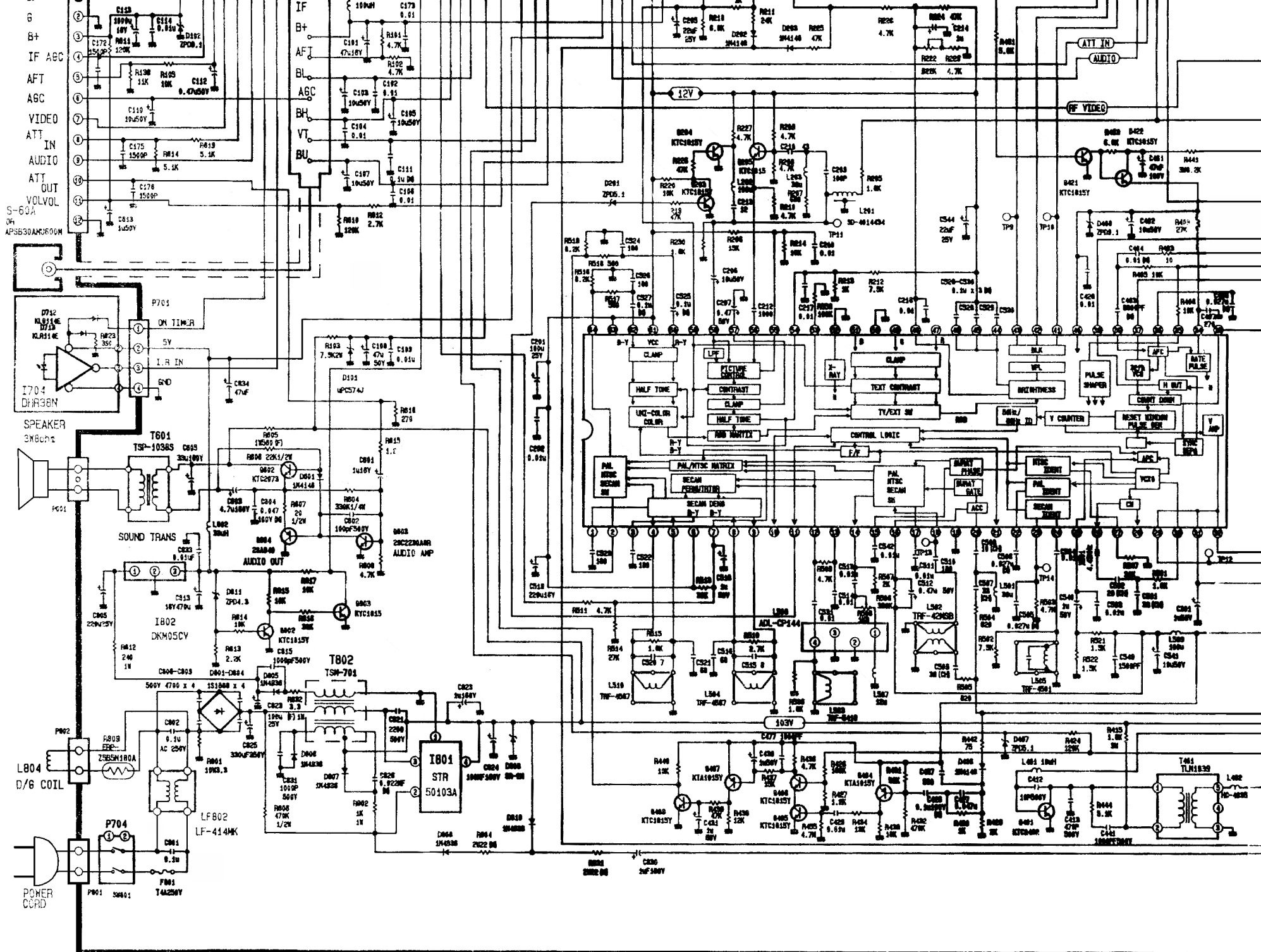
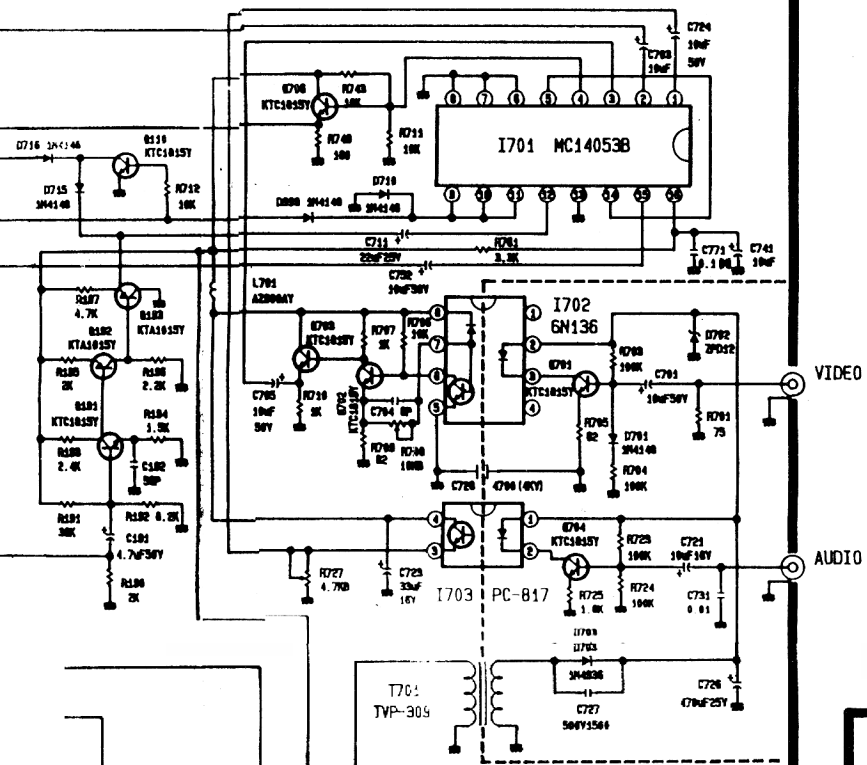


KEY FUNCTION TABLE

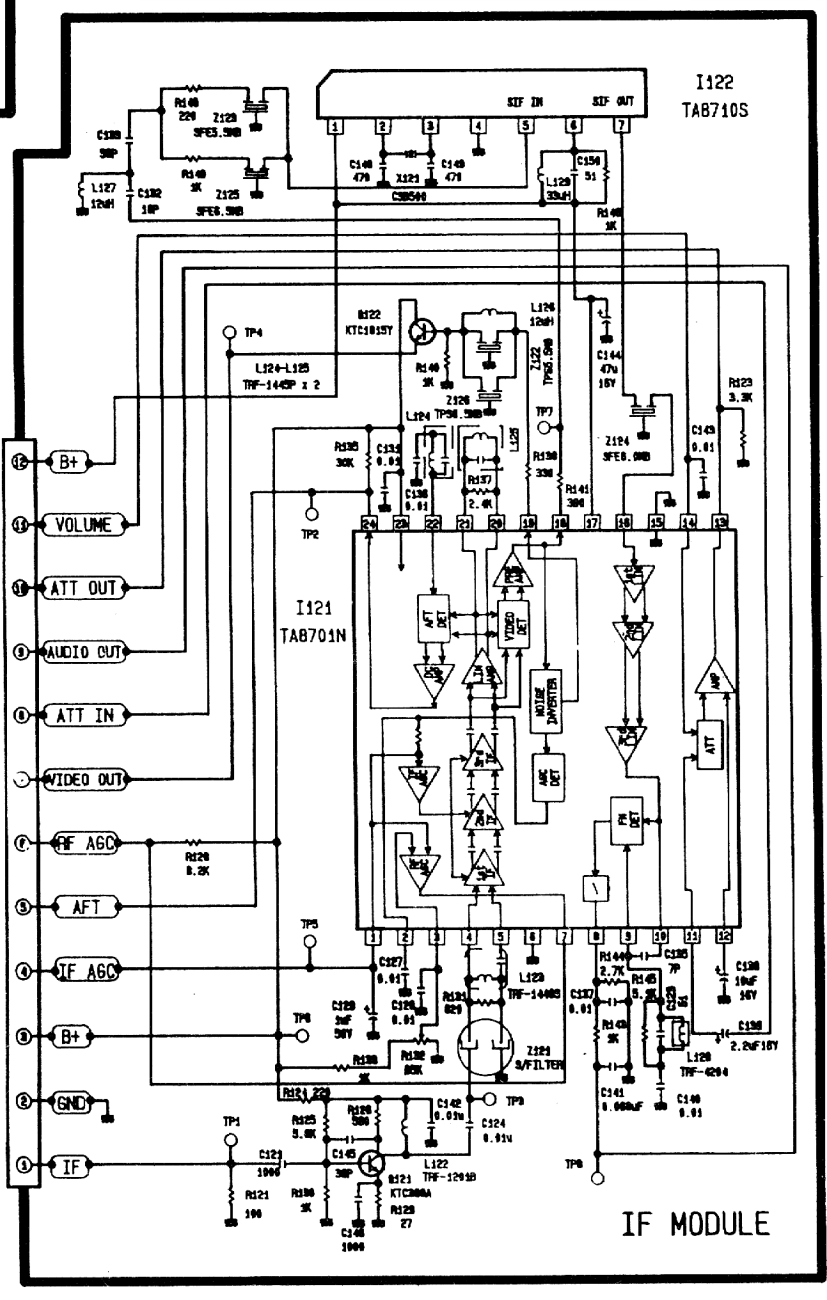
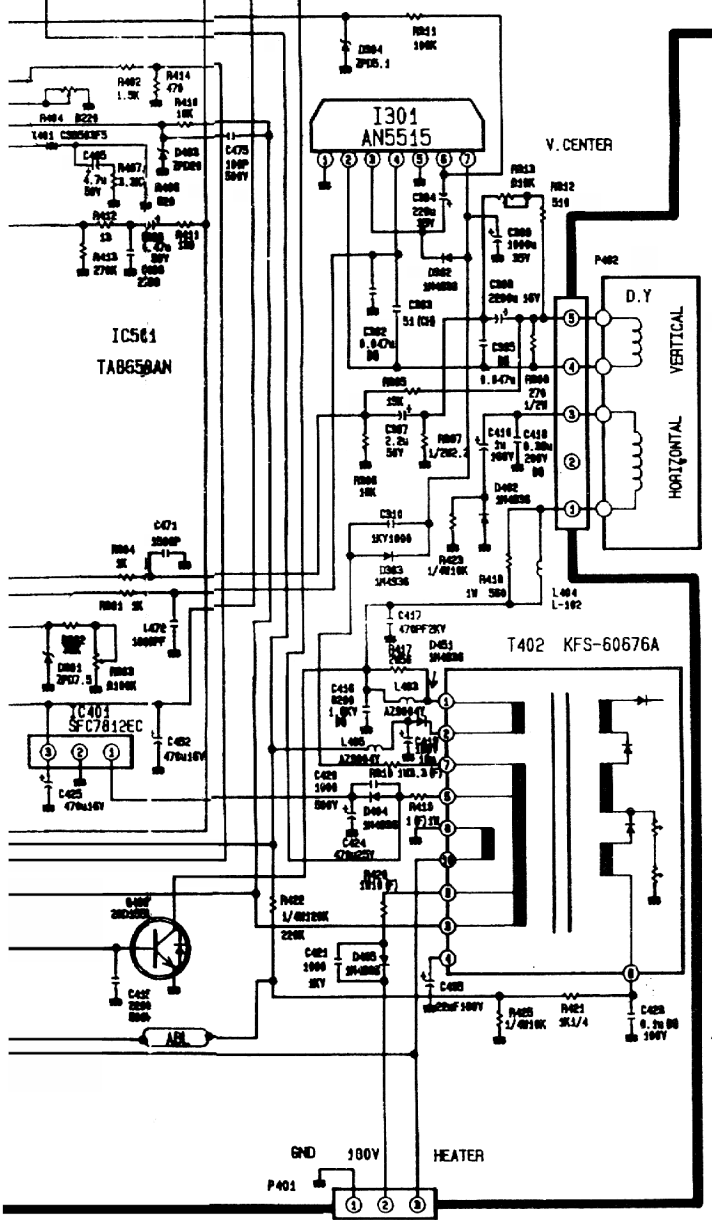
LOCAL-TION	KEY NO.	FUNCTION
SW701	6	TV/VIDEO
SW702	18	CH UP
	12	CH DOWN
SW703	17	VOLUME UP
	11	VOLUME DOWN
SW704	15	FINE TUNING UP
	9	DOWN
SW705	13	AUTO SEARCH UP
	7	DOWN
SW706	8	CH CALL/FAS
	14	PRESET
SW707	3	MT/FRND
	4	SKIP
SW708	16	ANALOG UP
SW709	10	ANALOG DOWN
SW710	2	ANALOG SELECT



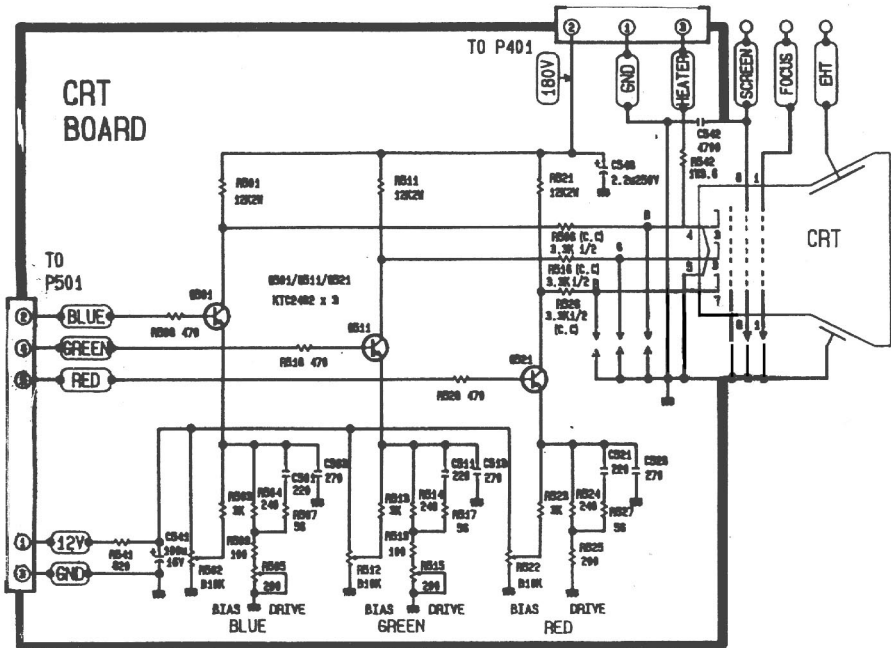


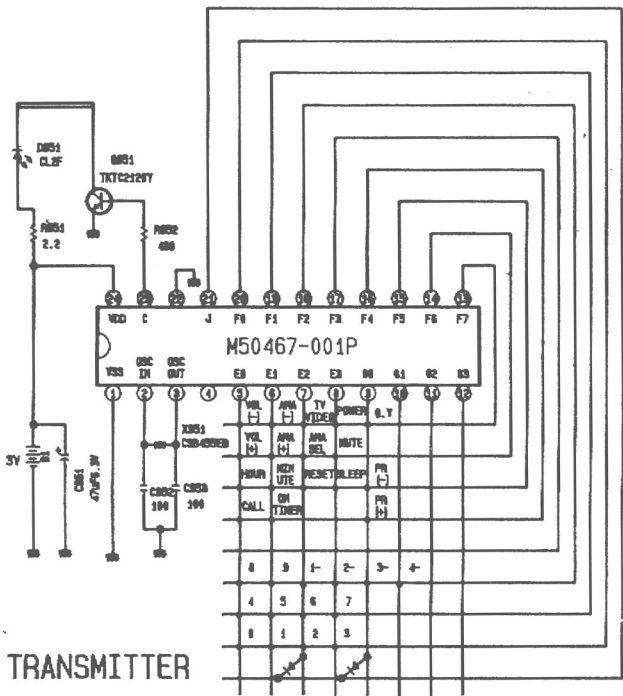


LOCATION	PART NAME	14"	16"	20"	21"
	CRT	A34JLL92X	A38JLL90X	A48JLL90X	A48JLL90X
T402	FBT	DCF-1577A	DCF-1577A	DCF-2077A	KFS-60676
C416	C MYLAR	1.6KV 6200pF	1.6KV 6900pF	1.6KV 8200pF	1.6KV 8200pF
C417	C CERA				2KV 470pF
C418	C MYLAR	200V 0.36uF	200V 0.36uF	200V 0.51uF	200V 0.36uF
L404	COIL	L-125	L-125	L-102	L-102
R422	R CARBON	1/4W 220K	1/4W 220K	1/4W 120K	1/4W 120K
R542	R METAL	1W 3.6oHM	1W 3.6oHM	1W 4.7oHM	1W 6.2oHM
R615	R CAPBON	1/6W 1.6K	1/6W 1.6K	1/6W 1.6K	1/6W 1.2K
Q402	H TR	2SD1554	2SD1555	2SD1555	2SD1555



CRT BOARD





TRANSMITTER

D852 5M41 00 D853 5M41 00