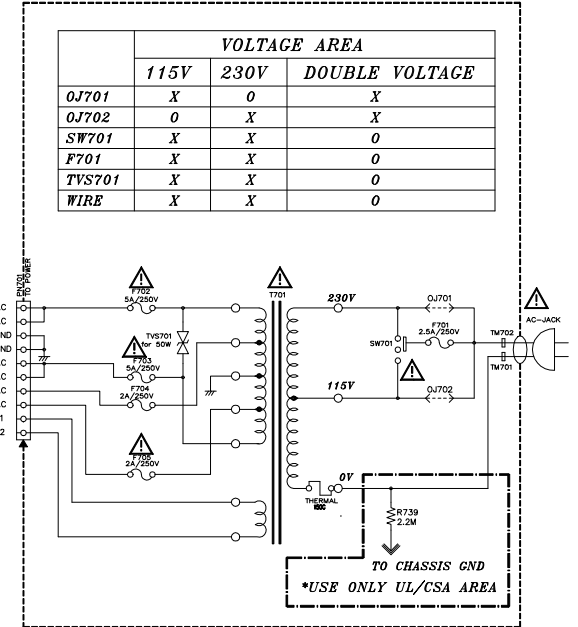


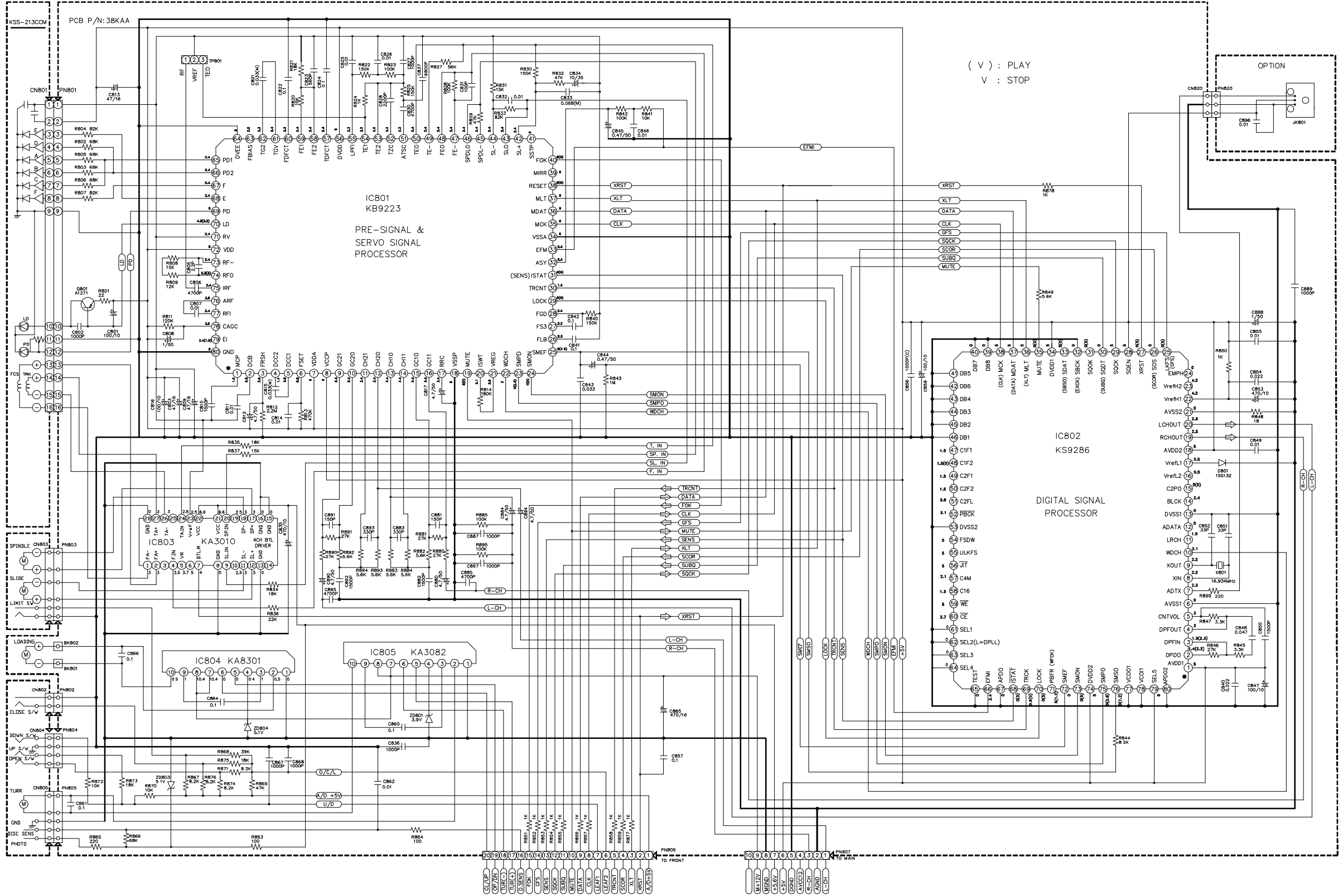
	F-515	F-513
R746	X	10
R747	T/W	10
R748	T/W	10
R749	X	10
R792	15K	47K
R793	15K	39K
ZD704	33V	27V

*MTB OPTION

	VOLTAGE AREA		
	115V	230V	DOUBLE VOLTAGE
OJ701	X	0	X
OJ702	0	X	X
SW701	X	X	0
F701	X	X	0
TVS701	X	X	0
WIRE	X	X	0



TO CHASSIS GND
*USE ONLY UL/CSA AREA



(V) : PLAY
 V : STOP

IC801
 KB9223
 PRE-SIGNAL &
 SERVO SIGNAL
 PROCESSOR

IC802
 KS9286
 DIGITAL SIGNAL
 PROCESSOR

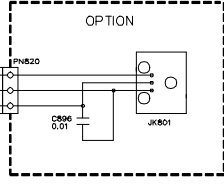
IC803
 KA3010
 4CH BTL
 DRIVER

IC804
 KA8301

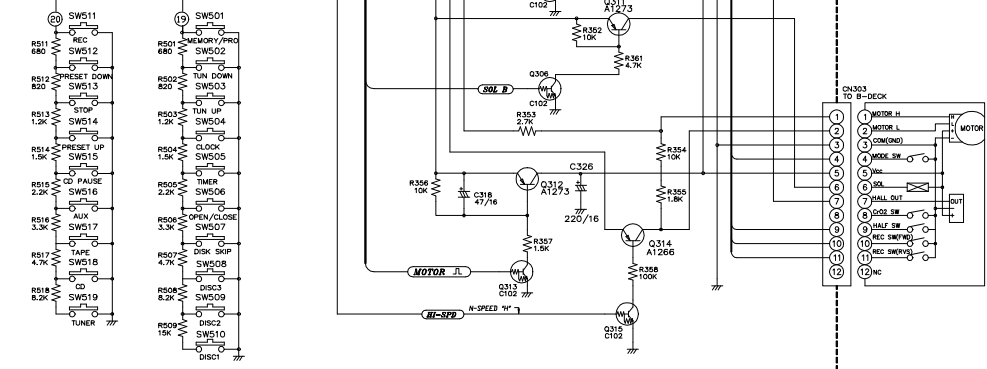
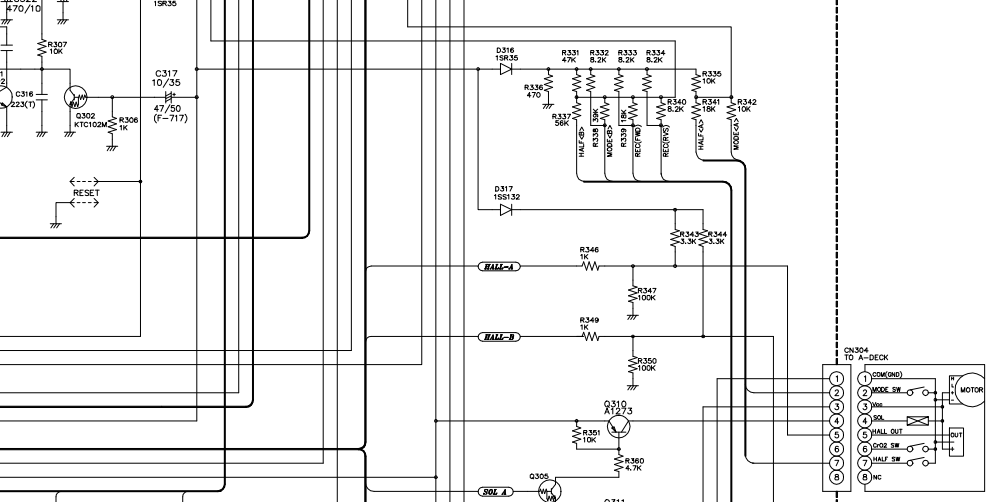
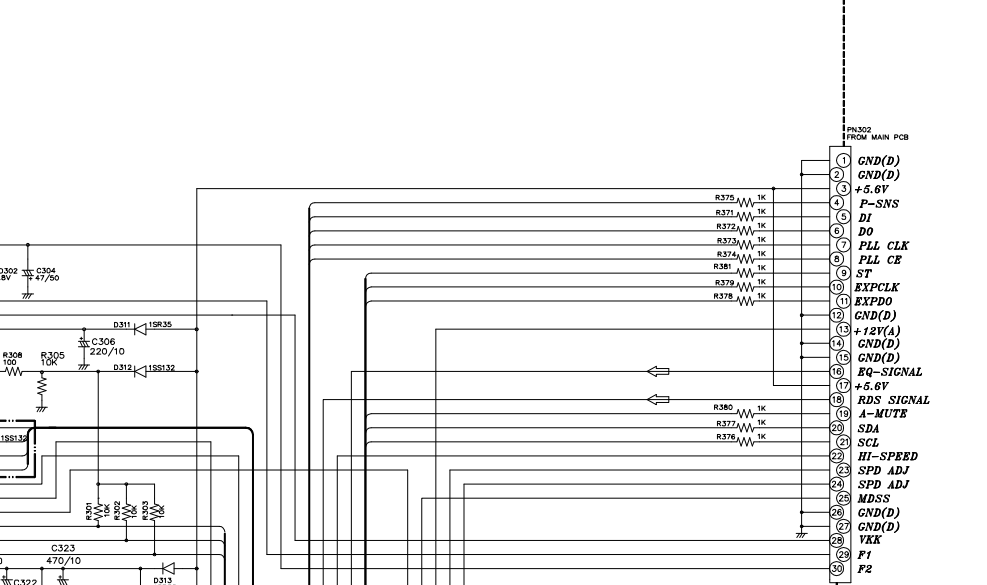
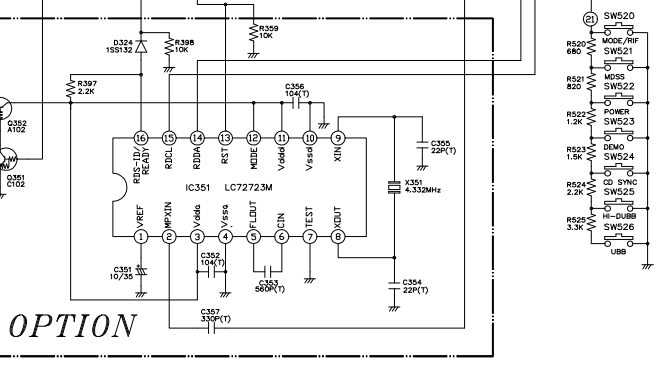
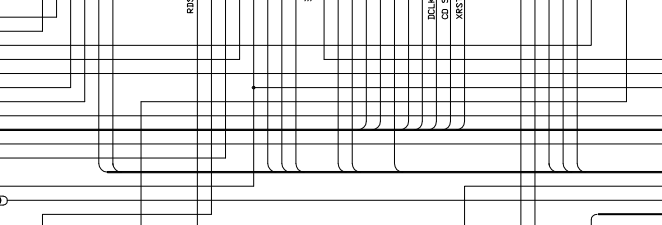
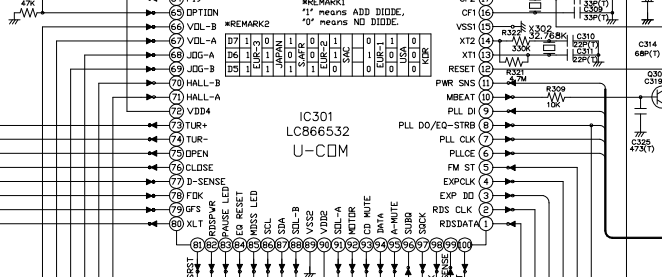
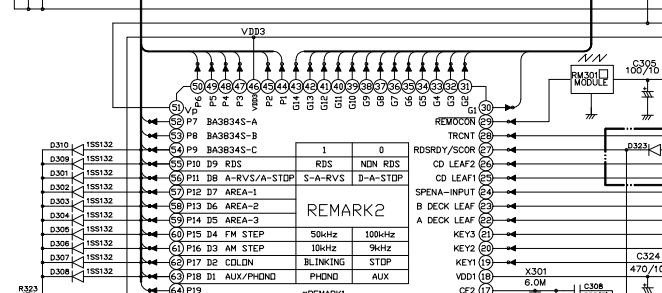
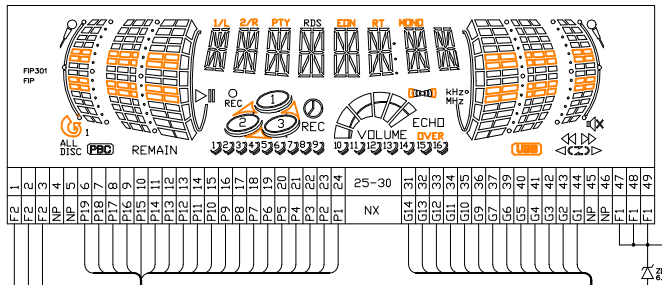
IC805
 KA3082

- TO FRONT
- 20 CL/SP
 - 19 TUR
 - 18 TRK
 - 17 SENS
 - 16 GFS
 - 15 SCK
 - 14 SUBO
 - 13 MUTE
 - 12 DATA
 - 11 LEAF
 - 10 TRCNT
 - 9 SCOR
 - 8 XLT
 - 7 XRST
 - 6 A/D +5V
 - 5 A/D
 - 4 U/D
 - 3
 - 2
 - 1

- TO MAIN
- 10
 - 9
 - 8
 - 7
 - 6
 - 5
 - 4
 - 3
 - 2
 - 1



CLOSE
 OPEN
 TUR+
 D-SENS
 FOK
 GFS
 SENS
 SQCK
 SUBQ
 CD MUTE
 DATA
 CLK
 LEAF1
 LEAF2
 TRCNT
 SCOR
 XLT
 XRST
 SV



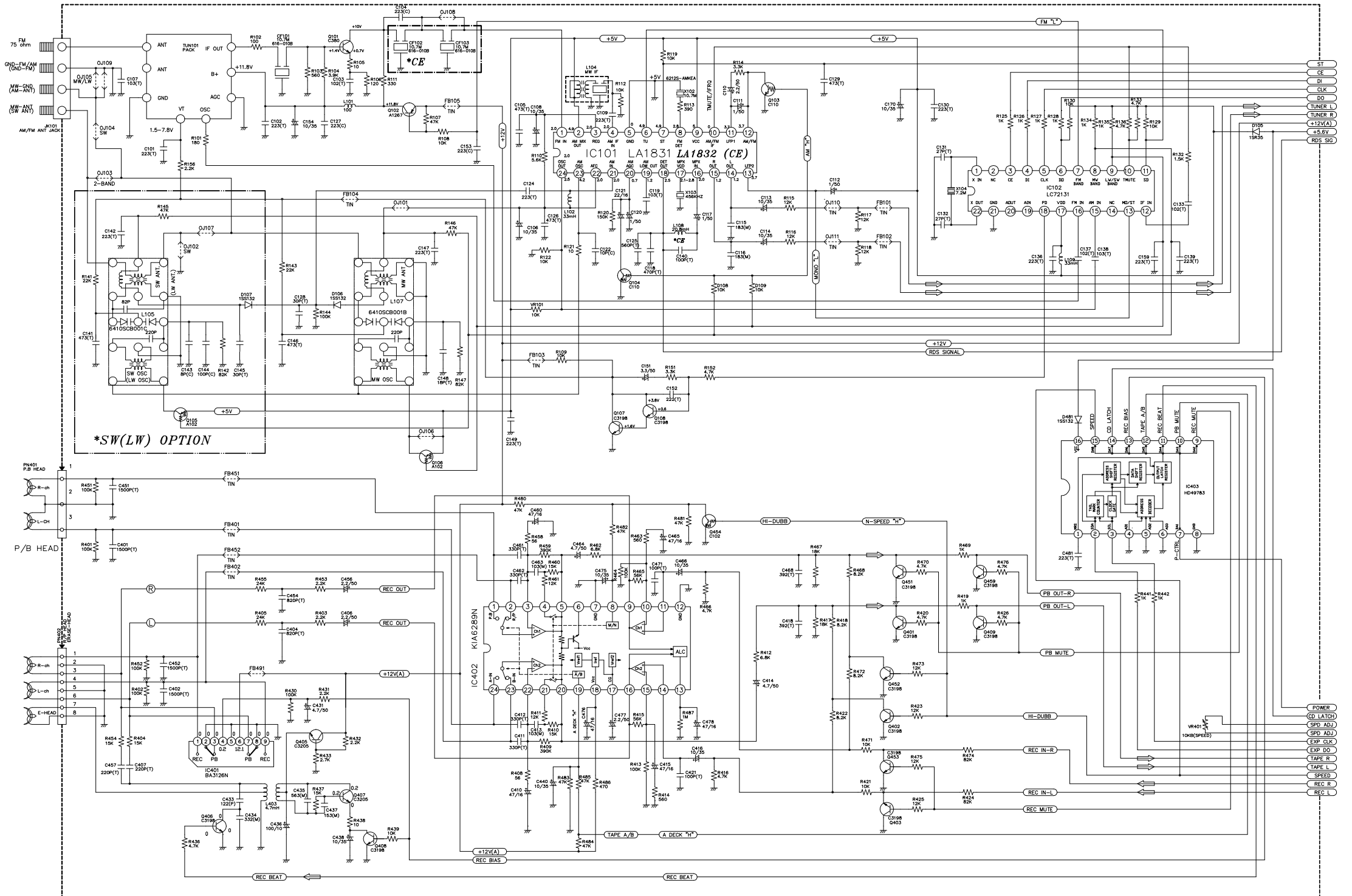
PH302 FROM MAIN PCB
 1 GND(D)
 2 GND(D)
 3 +5.6V
 4 P-SNS
 5 DI
 6 PLL CLK
 7 PLL CE
 8 PLL ST
 9 EXPCLK
 10 EXPDO
 11 GND(D)
 12 +12V(A)
 13 GND(D)
 14 GND(D)
 15 EQ-SIGNAL
 16 +5.6V
 17 RDS SIGNAL
 18 A-MUTE
 19 SDA
 20 SCL
 21 HI-SPEED
 22 SPD ADJ
 23 SPD ADJ
 24 MDSS
 25 GND(D)
 26 GND(D)
 27 YKK
 28 F1
 29 F2

CN304 TO A-DECK
 1 COM(GND)
 2 MODE SW
 3 SW
 4 PAUSE SW
 5 GND SW
 6 HALF SW
 7 NC

CN303 TO B-DECK
 1 MOTOR_H
 2 MOTOR_L
 3 COM(GND)
 4 PAUSE SW
 5 GND SW
 6 HALF SW
 7 GND SW
 8 REC SW
 9 REC SW
 10 REC SW
 11 REC SW
 12 NC

*RDS OPTION

<F-717 ONLY>



- ST
- CE
- CLK
- DO
- TUNER L
- TUNER R
- +12V(A)
- +5.6V
- RDS SIG

- POWER
- GD LATCH
- SPD HEAD
- SPD ADJ
- EXP CLK
- EXP DO
- TAPE R
- TAPE L
- SPEED
- REC R
- REC L

*SW(LW) OPTION

+12V(A)

+12V(A)

+12V
RDS SIGNAL

- POWER
- GD LATCH
- SPD HEAD
- SPD ADJ
- EXP CLK
- EXP DO
- TAPE R
- TAPE L
- SPEED
- REC R
- REC L