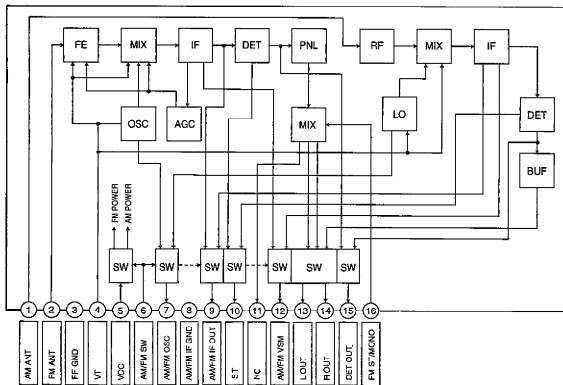


CQ-RD115/105LEN
CQ-RD110/100LEN

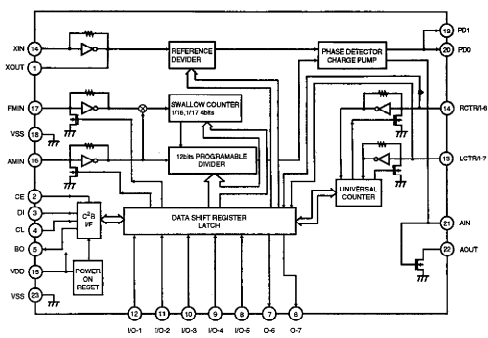
CQ-RD115/105LEN
CQ-RD110/100LEN

PACKAGE AND IC BLOCK DIAGRAM

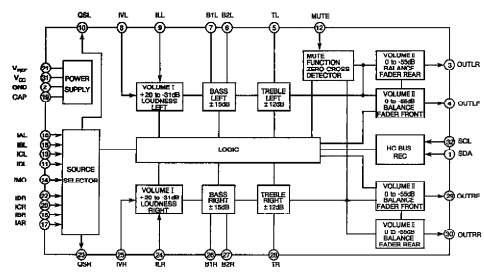
● F101 YEAO3E052R



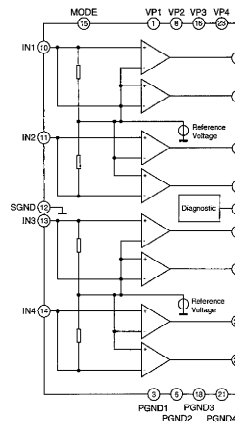
● IC101 YEAMLC72146T



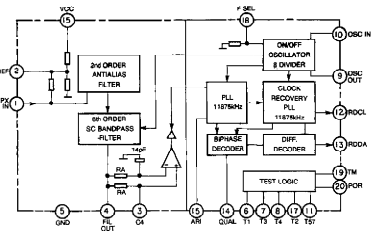
● IC102 YEAMEA63220TT



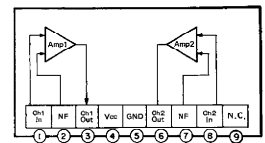
● IC103 YEAMTDA8568Q



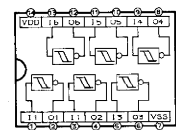
● IC201 YEAMDA7331D



● IC301 YESAM120

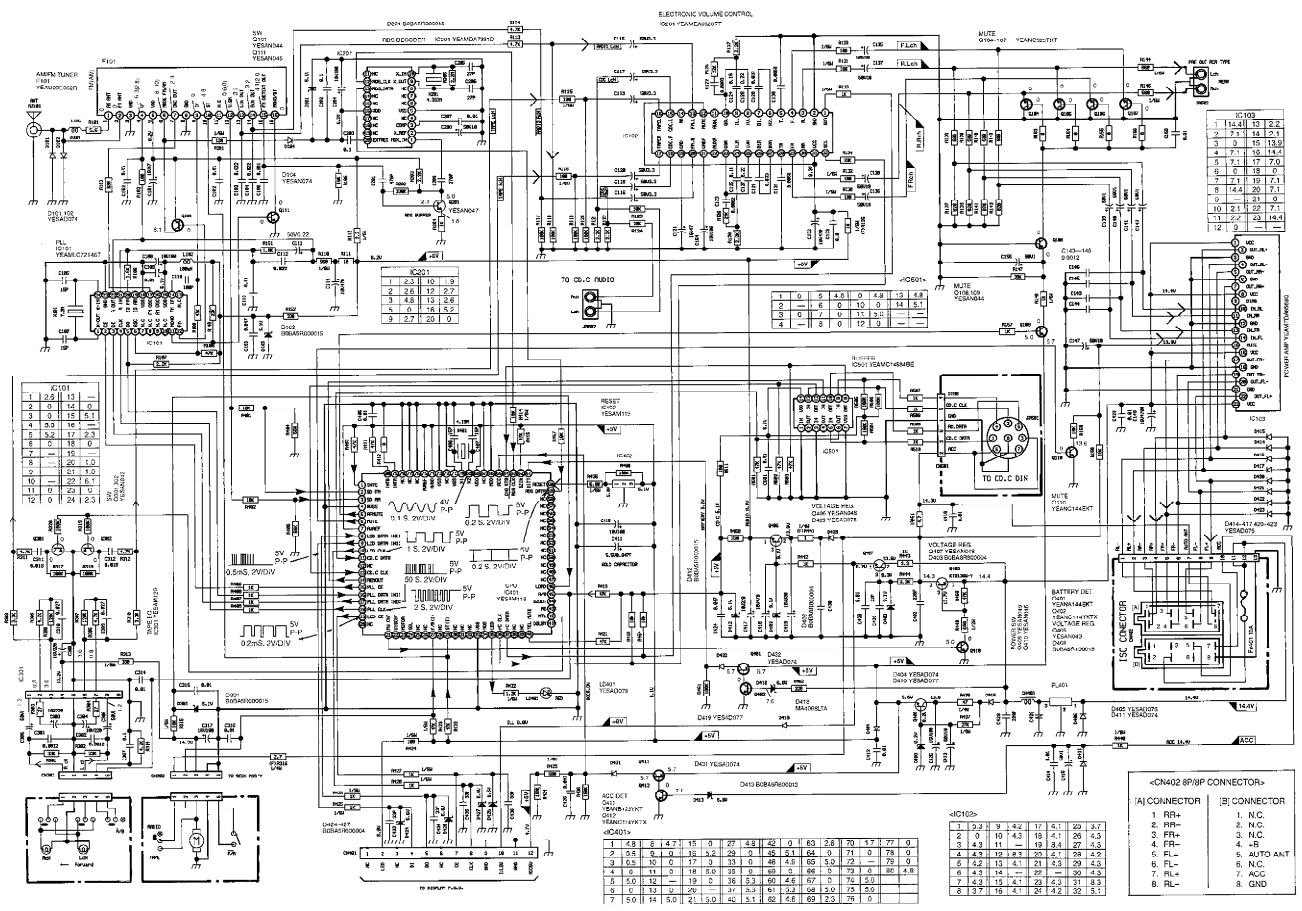


● IC402 YESAM119



CQ-RD115/105LEN CQ-RD110/100LEN
 CQ-RD115/105LEN CQ-RD110/100LEN

SCHEMATIC DIAGRAM (Main Block) MODELS CQ-RD115/105LEN



TABLES FROM SCHEMATIC:

1	2.8	13	—
2	3	14	0
3	9	15	5.1
4	3.3	16	—
5	3.3	17	2.3
6	7	18	0
7	16	19	—
8	20	20	1.0
9	21	21	4.2
10	22	22	1.6
11	23	23	1.0
12	24	24	1.0

1	2.8	13	—
2	3	14	0
3	9	15	5.1
4	3.3	16	—
5	3.3	17	2.3
6	7	18	0
7	16	19	—
8	20	20	1.0
9	21	21	4.2
10	22	22	1.6
11	23	23	1.0
12	24	24	1.0

1	2.8	13	—
2	3	14	0
3	9	15	5.1
4	3.3	16	—
5	3.3	17	2.3
6	7	18	0
7	16	19	—
8	20	20	1.0
9	21	21	4.2
10	22	22	1.6
11	23	23	1.0
12	24	24	1.0

TABLES FROM SCHEMATIC:

1	2.8	13	—
2	3	14	0
3	9	15	5.1
4	3.3	16	—
5	3.3	17	2.3
6	7	18	0
7	16	19	—
8	20	20	1.0
9	21	21	4.2
10	22	22	1.6
11	23	23	1.0
12	24	24	1.0

1	2.8	13	—
2	3	14	0
3	9	15	5.1
4	3.3	16	—
5	3.3	17	2.3
6	7	18	0
7	16	19	—
8	20	20	1.0
9	21	21	4.2
10	22	22	1.6
11	23	23	1.0
12	24	24	1.0