

### 1-2-15 Disk S, T Reel Removal

- 1) Lift the Disk S, T Reel ①, ②.

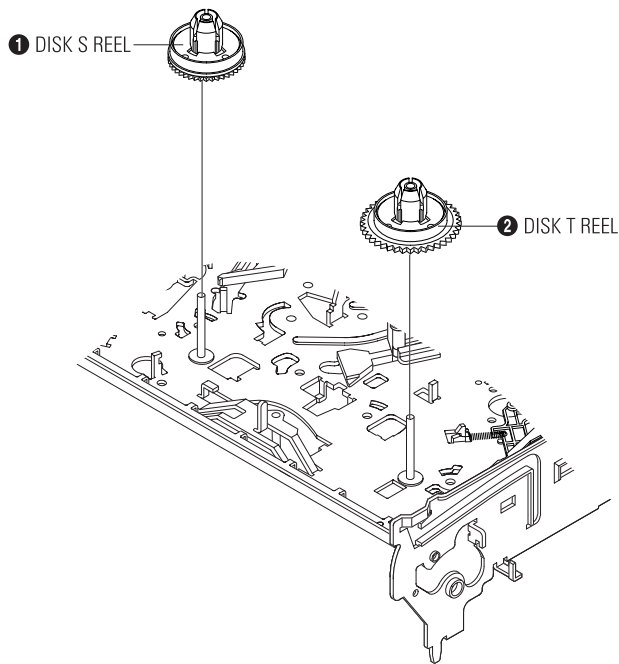


Fig. 1-20 Disk S, T Reel Removal

### 1-2-16 Holder Clutch Ass'y Removal

- 1) Remove the Washer Slit ①.
- 2) Lift the Holder Clutch Ass'y ②.

**Note :** When you reinstall Holder Clutch Ass'y

- 1) Check the condition of spring as shown in detail A.
- 2) Don't push Holder Clutch Ass'y down with excessive force Just insert Holder Clutch Ass'y into post center with dead force and Rotate it smoothly. Be sure to confirm that spring is in the slit of Gear Center Ass'y as shown in detail B.

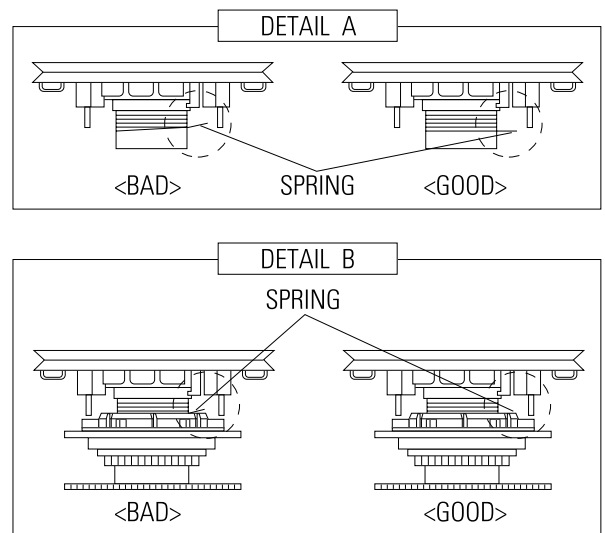
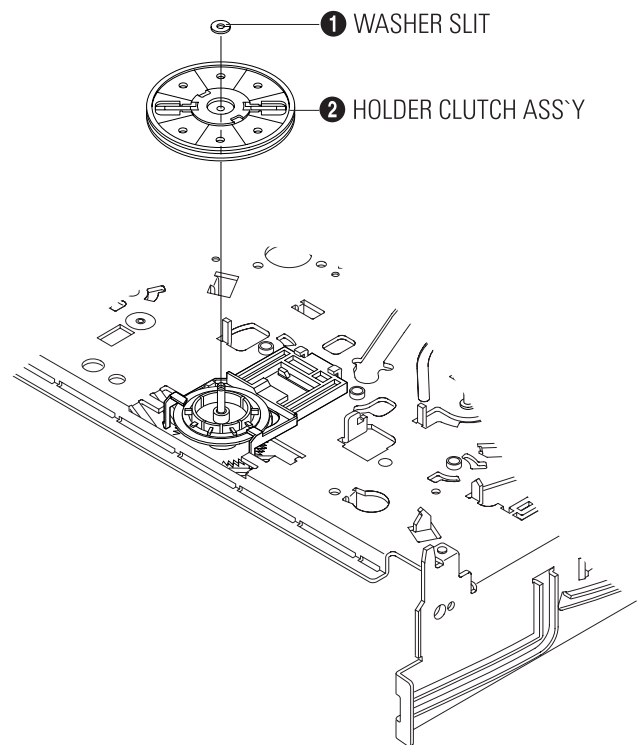


Fig. 1-21 Holder Clutch Ass'y Removal