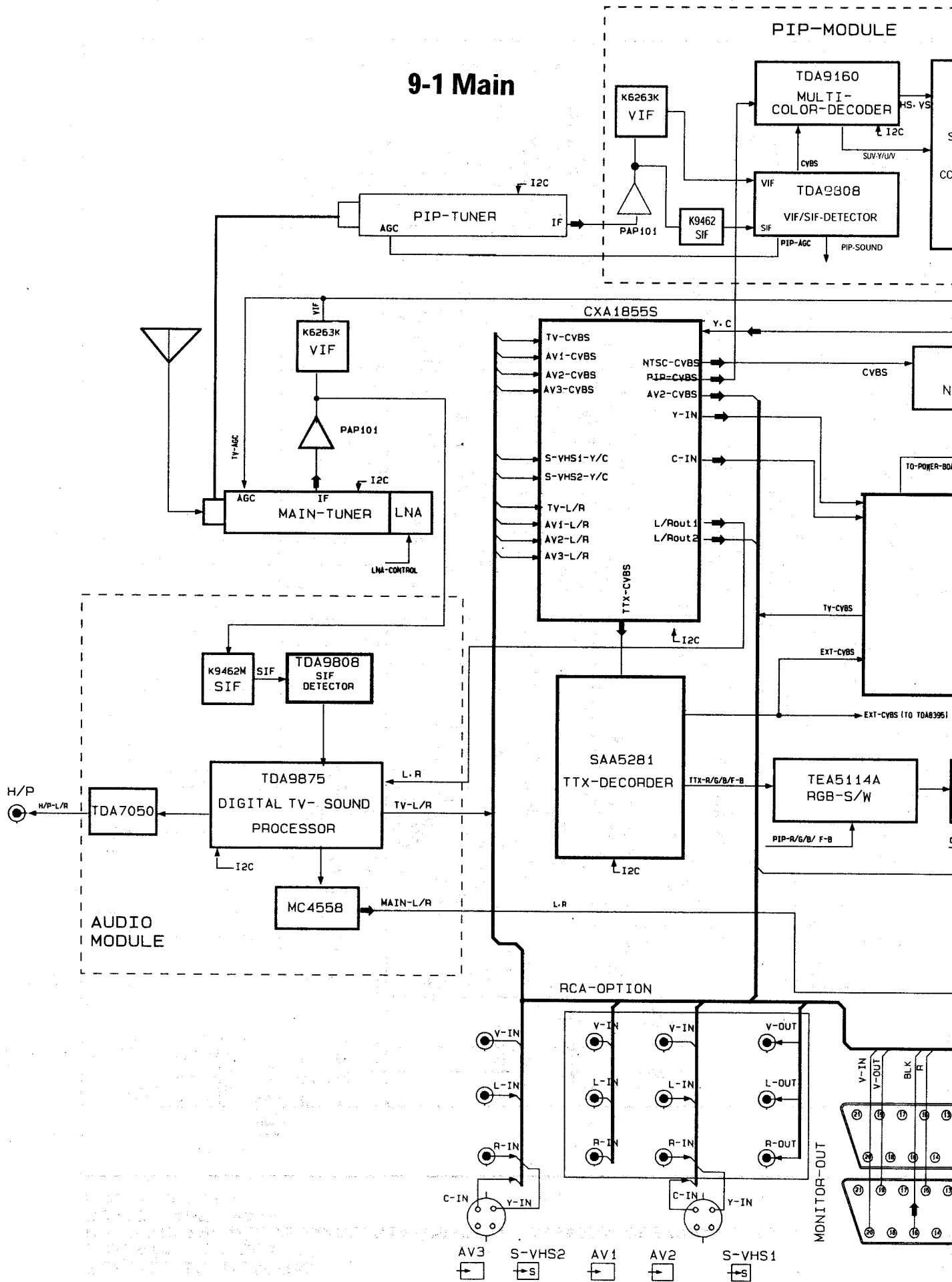
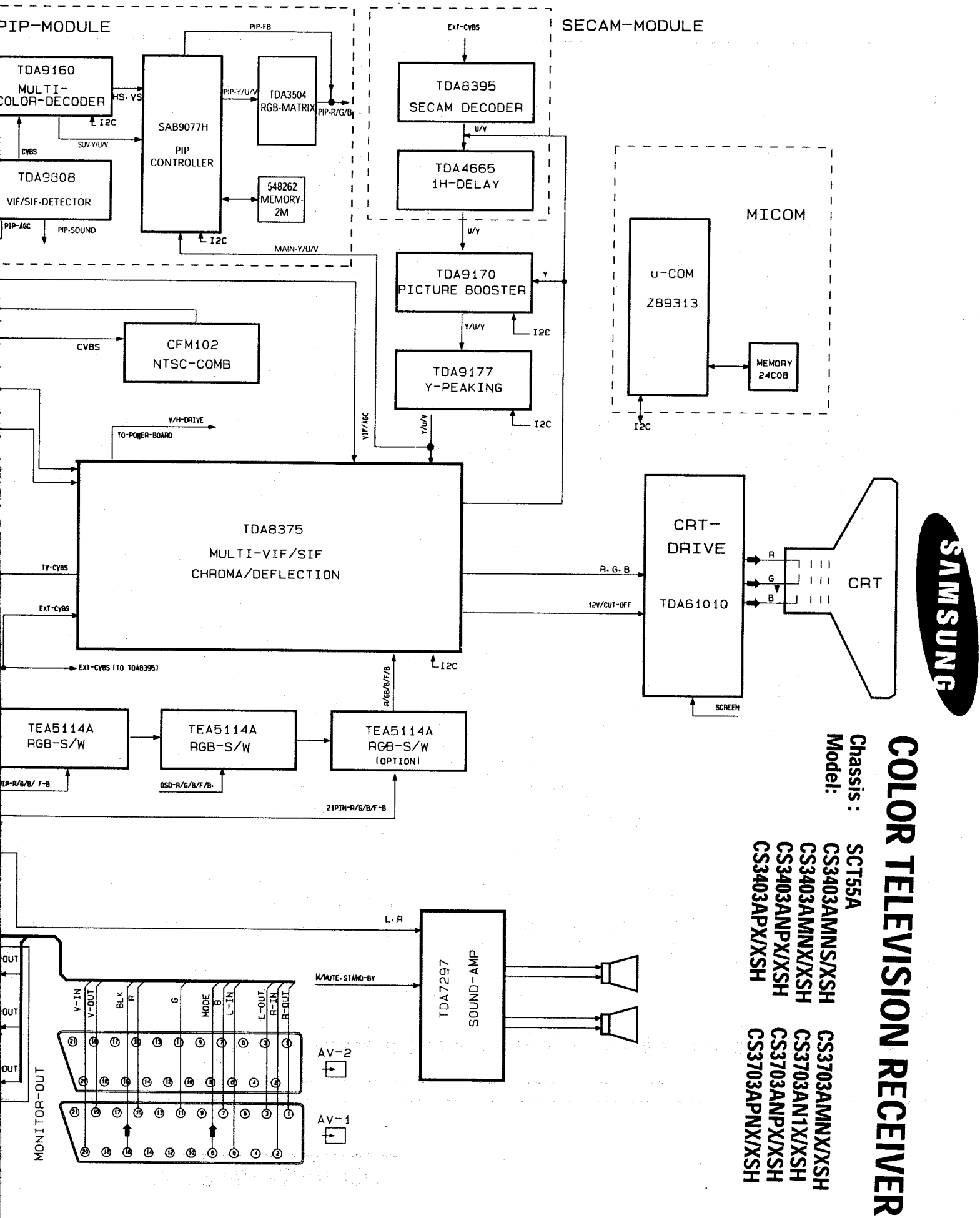


# 9-1 Main





# COLOR TELEVISION RECEIVER

- Chassis : SCT55A  
 Model: CS3403AMNS/XSH CS3703AMNX/XSH  
 CS3403ANMX/XSH CS3703AN1X/XSH  
 CS3403ANPX/XSH CS3703ANPX/XSH  
 CS3403APX/XSH CS3703APNX/XSH

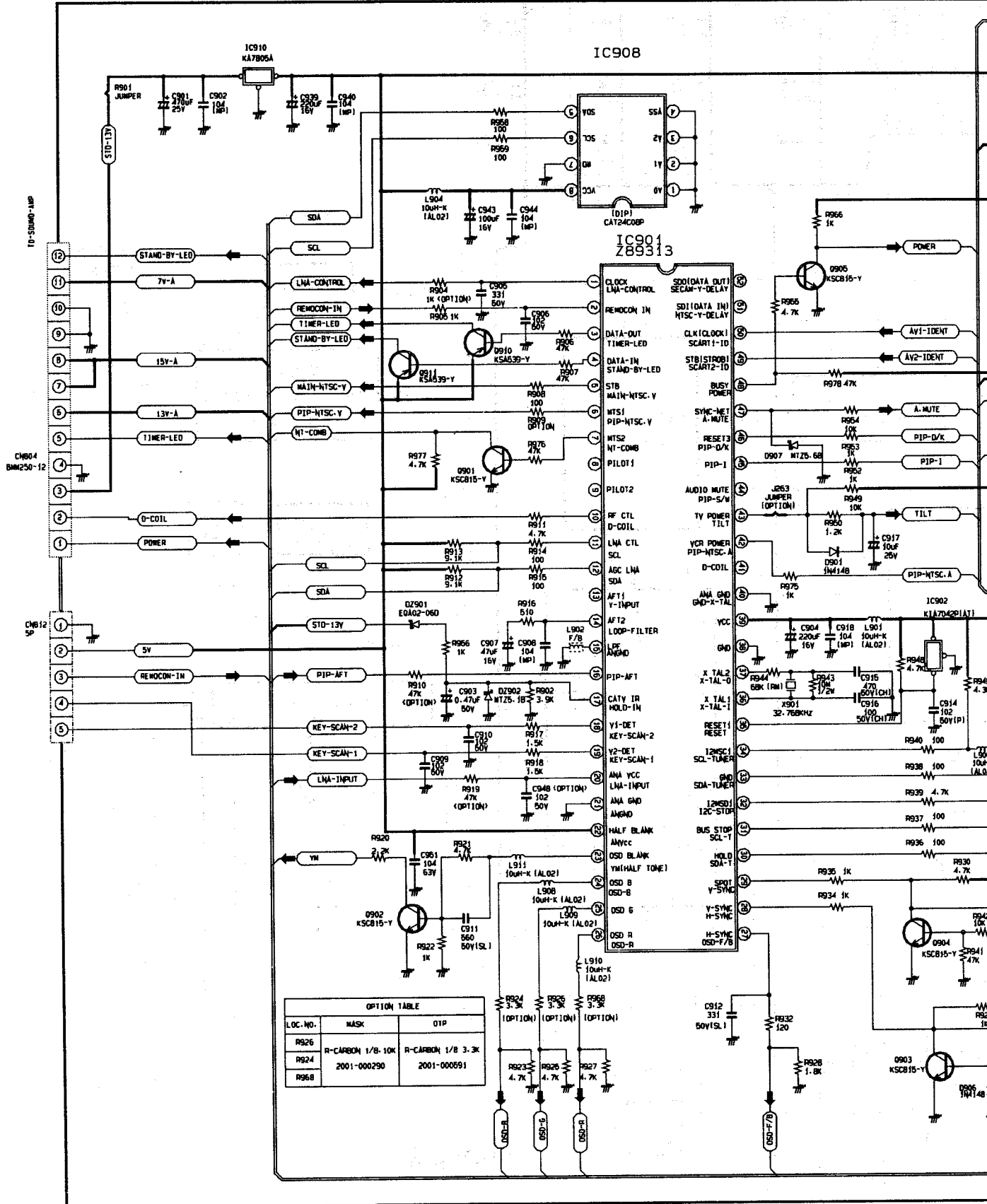
### SCHEMATIC DIAGRAM

CHASSIS: SCT55A

MODEL: CS722A/CS762A/CS761A/CS3001A/CS3403A/CS3703A/CS767A

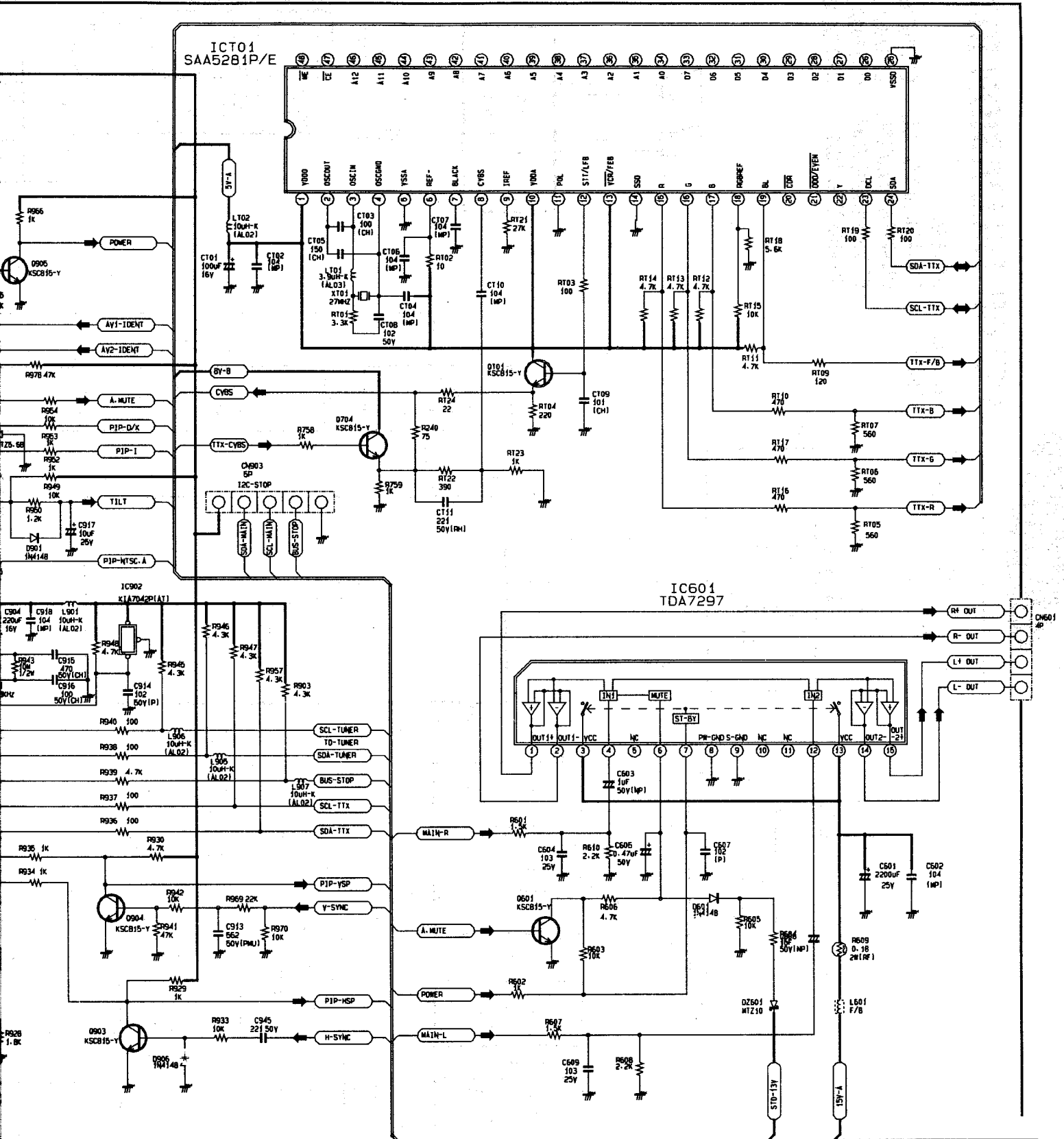
BOARD NAME: MAIN

DATE : 1997.11.25.

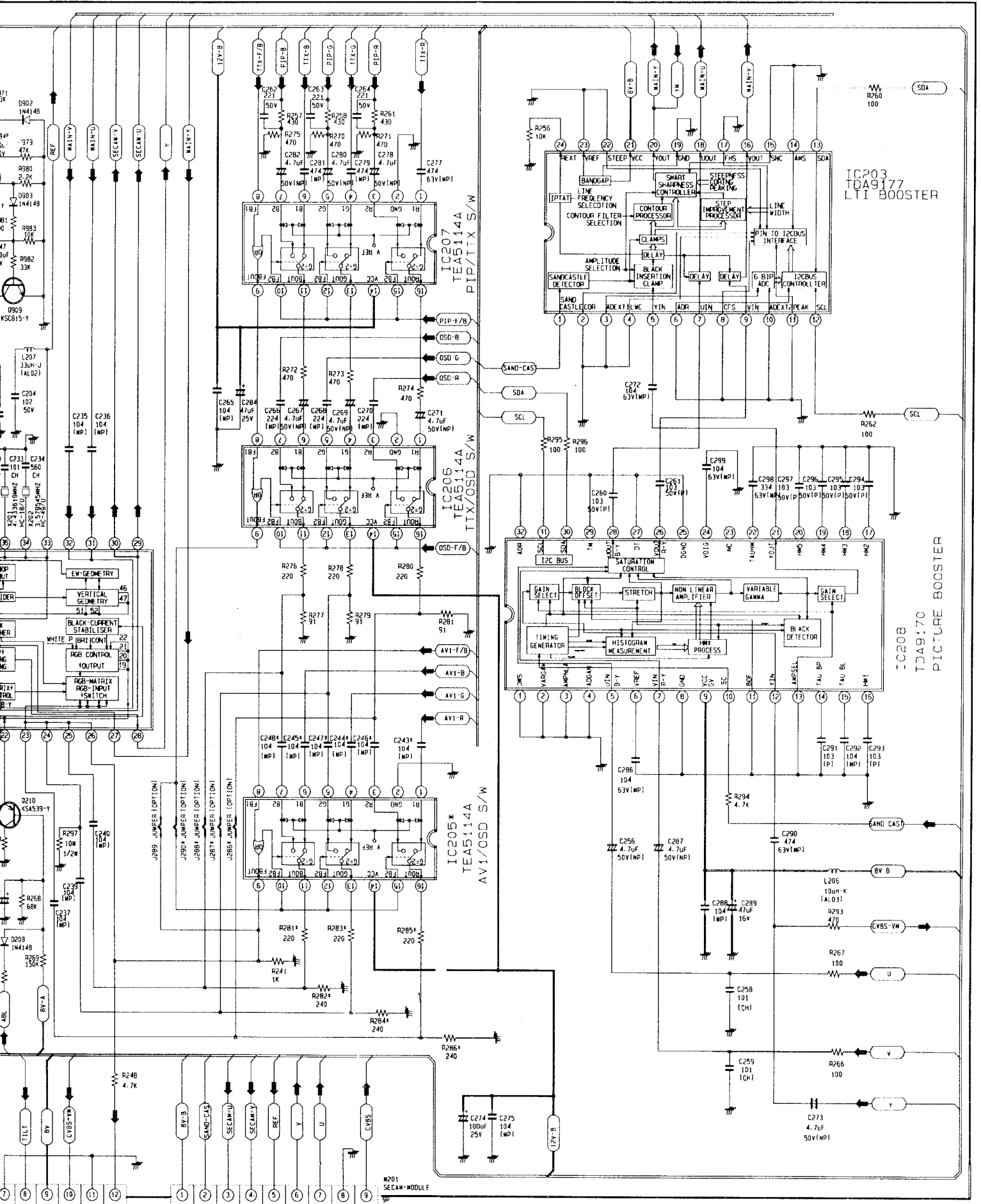


# 12-1 PWB-MAIN (1/4)

7A

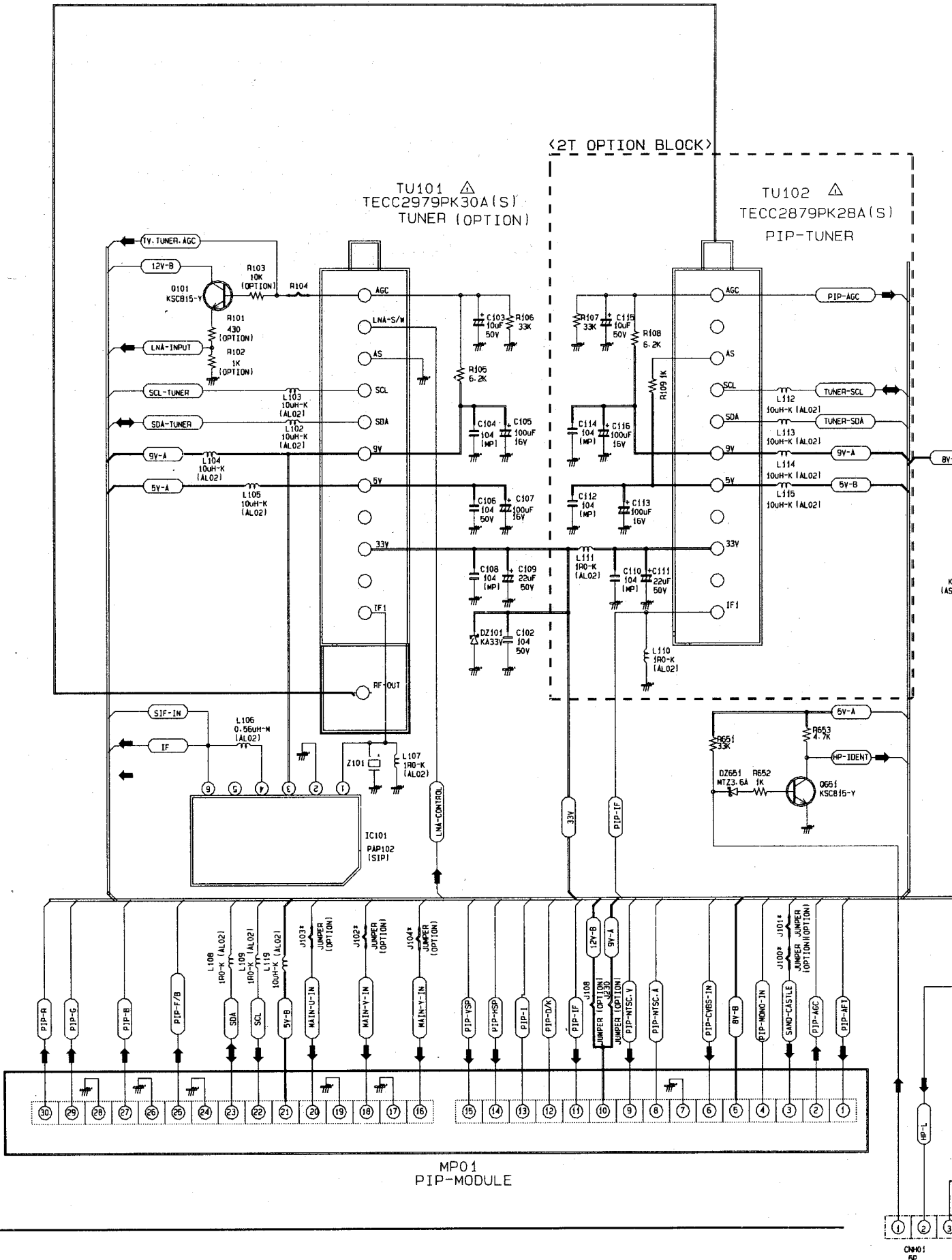






# 11-3 PWB-MAIN (3/4)

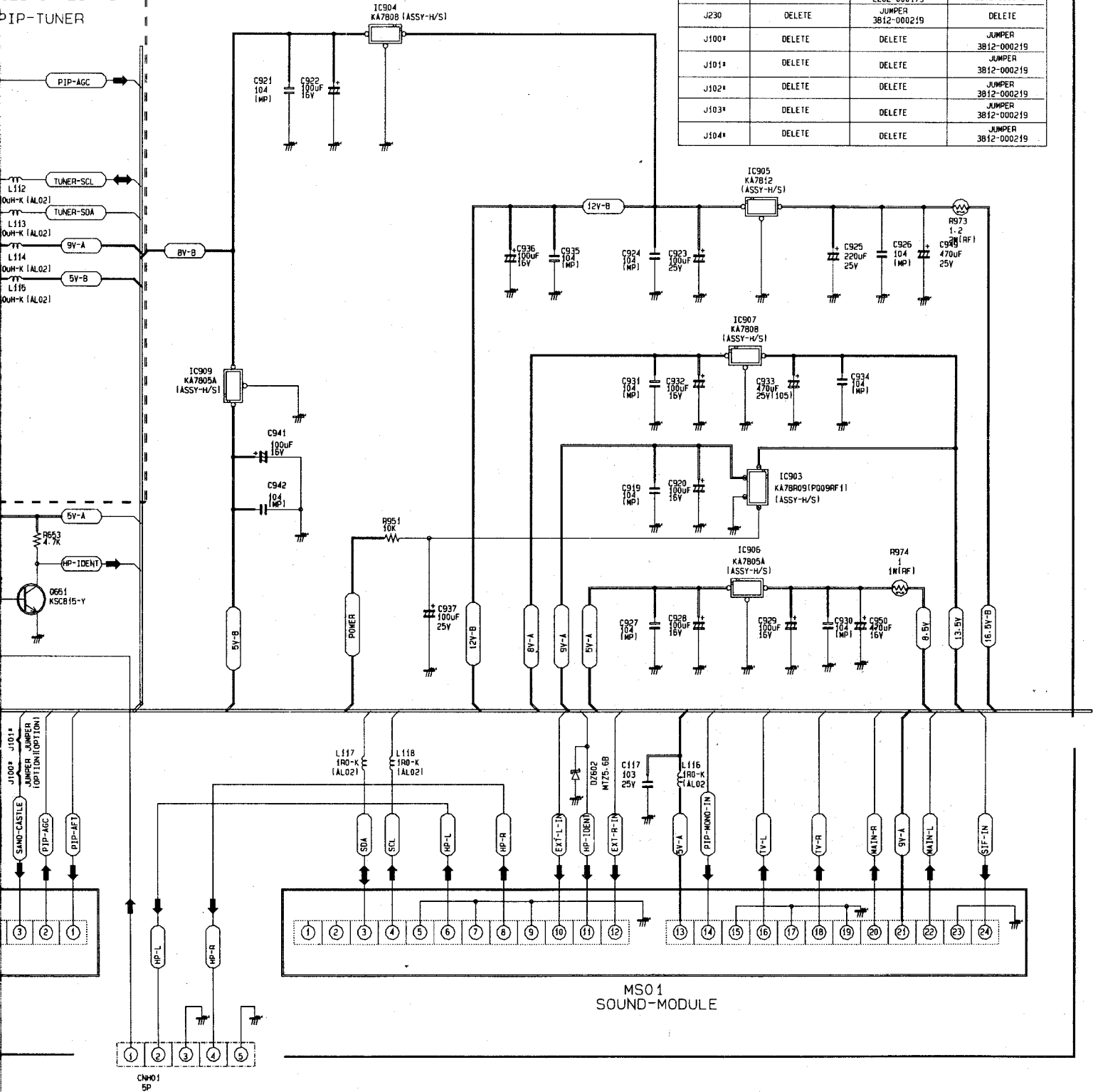
100



### OPTION LIST

LOC. NO	1 TUNER PIP	2 TUNER PIP	MULTI-PIP
TU101	TECC2979PK28A(S) AA40-10005N	TECC2979PK30A(S) AA40-10005Y	TECC2979PK30A(S) AA40-10005Y
R101	DELETE	R-CARBON 430 1/8W 2001-000761	R-CARBON 430 1/8W 2001-000761
R102	DELETE	R-CARBON 1K 1/8W 2001-000429	R-CARBON 1K 1/8W 2001-000429
R103	DELETE	R-CARBON 10K 1/8W 2001-000281	R-CARBON 10K 1/8W 2001-000281
BLOCK	DELETE	2T OPTION BLOCK	2T OPTION BLOCK
R904	DELETE	R-CARBON 1K 1/8W 2001-000429	R-CARBON 1K 1/8W 2001-000429
R910	DELETE	R-CARBON 47K 1/8W 2001-000786	R-CARBON 47K 1/8W 2001-000786
R919	DELETE	R-CARBON 47K 1/8W 2001-000786	R-CARBON 47K 1/8W 2001-000786
C948	DELETE	20V 102 AXIAL 2202-000173	20V 102 AXIAL 2202-000173
J230	DELETE	JUMPER 3812-000219	DELETE
J100*	DELETE	DELETE	JUMPER 3812-000219
J101*	DELETE	DELETE	JUMPER 3812-000219
J102*	DELETE	DELETE	JUMPER 3812-000219
J103*	DELETE	DELETE	JUMPER 3812-000219
J104*	DELETE	DELETE	JUMPER 3812-000219

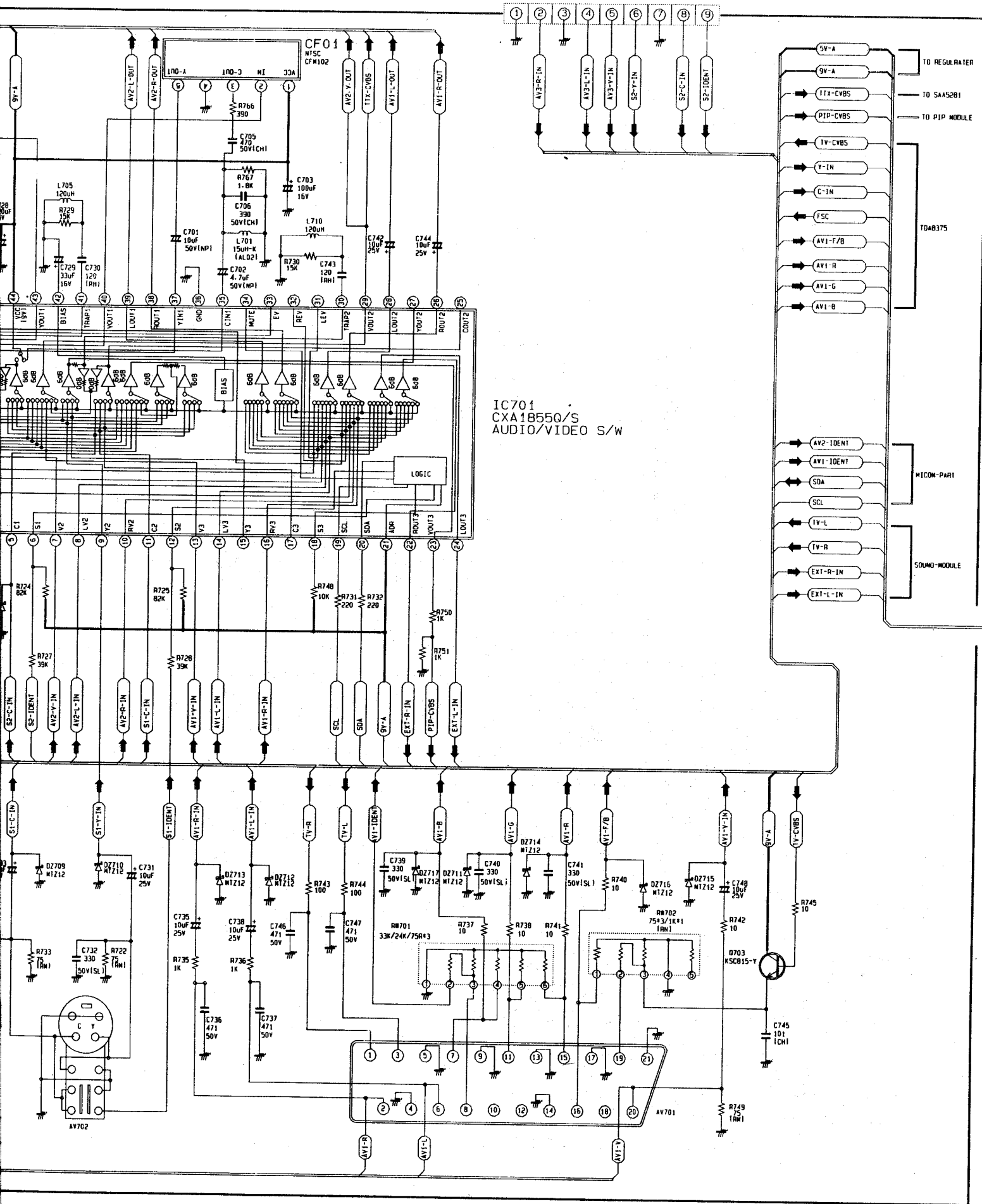
U102  $\Delta$   
C2879PK28A(S)  
PIP-TUNER







CN701 9P FROM FRONT A/V



IC701  
CXA1855Q/S  
AUDIO/VIDEO S/W

TDAB375

MICOM-PART

SOUND-MODULE

TO REGULATOR

TO SA45281

TO PIP MODULE

AV1-A

AV1-R

AV1-G

AV1-B

AVI-F/B

FSC

C-IN

Y-IN

TV-CVBS

PIP-CVBS

ITX-CVBS

9V-A

9V-A

AV2-IDENT

AV1-IDENT

SDA

SCL

TV-L

TV-R

EXT-R-IN

EXT-L-IN

AV1-Y-IN

AV1-F/B

AV1-R

AV1-G

AV1-B

AVI-F/B

FSC

C-IN

Y-IN

TV-CVBS

PIP-CVBS

ITX-CVBS

9V-A

9V-A

TO REGULATOR

TO SA45281

TO PIP MODULE

TDAB375

MICOM-PART

SOUND-MODULE

AV1-A

AV1-R

AV1-G

AV1-B

AVI-F/B

FSC

C-IN

Y-IN

TV-CVBS

PIP-CVBS

ITX-CVBS

9V-A

9V-A

AV2-IDENT

AV1-IDENT

SDA

SCL

TV-L

TV-R

EXT-R-IN

EXT-L-IN

AV1-Y-IN

AV1-F/B

AV1-R

AV1-G

AV1-B

AVI-F/B

FSC

C-IN

Y-IN

TV-CVBS

PIP-CVBS

ITX-CVBS

9V-A

9V-A

TO REGULATOR

TO SA45281

TO PIP MODULE

TDAB375

MICOM-PART

SOUND-MODULE

AV1-A

AV1-R

AV1-G

AV1-B

AVI-F/B

FSC

C-IN

Y-IN

TV-CVBS

PIP-CVBS

ITX-CVBS

9V-A

9V-A

TO REGULATOR

TO SA45281

TO PIP MODULE

TDAB375

MICOM-PART

SOUND-MODULE

AV1-A

AV1-R

AV1-G

AV1-B

AVI-F/B

FSC

C-IN

Y-IN

TV-CVBS

PIP-CVBS

ITX-CVBS

9V-A

9V-A

TO REGULATOR

TO SA45281

TO PIP MODULE

TDAB375

MICOM-PART

SOUND-MODULE

AV1-A

AV1-R

AV1-G

AV1-B

AVI-F/B

FSC

C-IN

Y-IN

TV-CVBS

PIP-CVBS

ITX-CVBS

9V-A

9V-A

TO REGULATOR

TO SA45281

TO PIP MODULE

TDAB375

MICOM-PART

SOUND-MODULE

AV1-A

AV1-R

AV1-G

AV1-B

AVI-F/B

FSC

C-IN

Y-IN

TV-CVBS

PIP-CVBS

ITX-CVBS

9V-A

9V-A

TO REGULATOR

TO SA45281

TO PIP MODULE

TDAB375

MICOM-PART

SOUND-MODULE

AV1-A

AV1-R

AV1-G

AV1-B

AVI-F/B

FSC

C-IN

Y-IN

TV-CVBS

PIP-CVBS

ITX-CVBS

9V-A

9V-A

TO REGULATOR

TO SA45281

TO PIP MODULE

TDAB375

MICOM-PART

SOUND-MODULE

AV1-A

AV1-R

AV1-G

AV1-B

AVI-F/B

FSC

C-IN

Y-IN

TV-CVBS

PIP-CVBS

ITX-CVBS

9V-A

9V-A

TO REGULATOR

TO SA45281

TO PIP MODULE

TDAB375

MICOM-PART

SOUND-MODULE

AV1-A

AV1-R

AV1-G

AV1-B

AVI-F/B

FSC

C-IN

Y-IN

TV-CVBS

PIP-CVBS

ITX-CVBS

9V-A

9V-A

TO REGULATOR

TO SA45281

TO PIP MODULE

TDAB375

MICOM-PART

SOUND-MODULE

AV1-A

AV1-R

AV1-G

AV1-B

AVI-F/B

FSC

C-IN

Y-IN

TV-CVBS

PIP-CVBS

ITX-CVBS

9V-A

9V-A

TO REGULATOR

TO SA45281

TO PIP MODULE

TDAB375

MICOM-PART

SOUND-MODULE

AV1-A

AV1-R

AV1-G

AV1-B

AVI-F/B

FSC

C-IN

Y-IN

TV-CVBS

PIP-CVBS

ITX-CVBS

9V-A

9V-A

TO REGULATOR

TO SA45281

TO PIP MODULE

TDAB375

MICOM-PART

SOUND-MODULE

AV1-A

AV1-R

AV1-G

AV1-B

AVI-F/B

FSC

C-IN

Y-IN

TV-CVBS

PIP-CVBS

ITX-CVBS

9V-A

9V-A

TO REGULATOR

TO SA45281

TO PIP MODULE

TDAB375

MICOM-PART

SOUND-MODULE

AV1-A

AV1-R

AV1-G

AV1-B

AVI-F/B

FSC

C-IN

Y-IN

TV-CVBS

PIP-CVBS

ITX-CVBS

9V-A

9V-A

TO REGULATOR

TO SA45281

TO PIP MODULE

TDAB375

MICOM-PART

SOUND-MODULE

AV1-A

AV1-R

AV1-G

AV1-B

AVI-F/B

FSC

C-IN

Y-IN

TV-CVBS

PIP-CVBS

ITX-CVBS

9V-A

9V-A

TO REGULATOR

TO SA45281

TO PIP MODULE

TDAB375

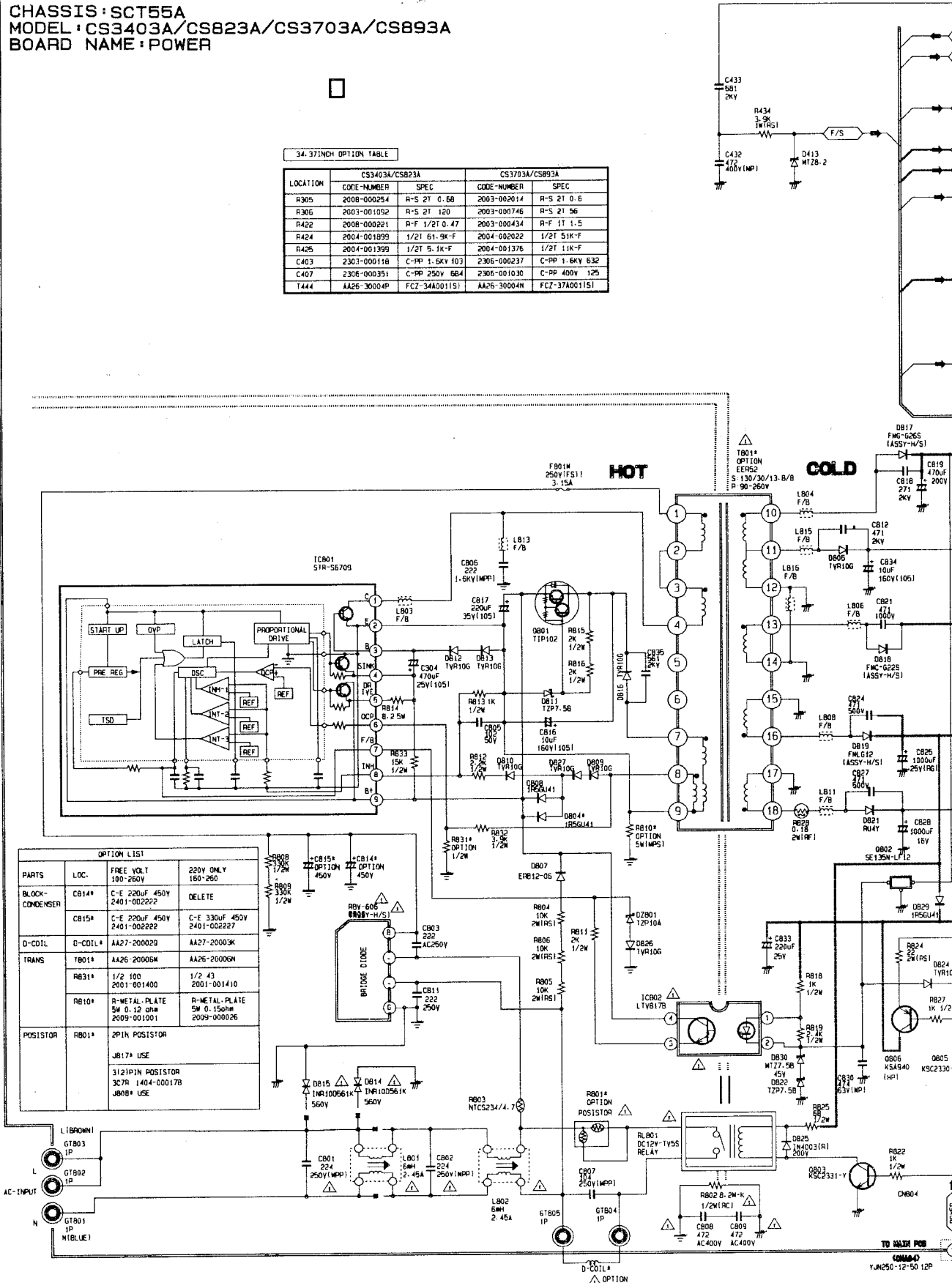
MICOM-PART

# 12-5 ASSY-PWB, POWER

SCHEMATIC DIAGRAM  
 CHASSIS: SCT55A  
 MODEL: CS3403A/CS823A/CS3703A/CS893A  
 BOARD NAME: POWER

34.371NDX OPTION TABLE

LOCATION	CS3403A/CS823A		CS3703A/CS893A	
	CODE-NUMBER	SPEC	CODE-NUMBER	SPEC
R305	2008-000254	R-S 2T 0.58	2003-002614	R-S 2T 0.6
R306	2003-001092	R-S 2T 120	2003-000748	R-S 2T 96
R422	2008-000221	R-F 1/2T 0.47	2003-000434	R-F 1T 1.5
R424	2004-001899	1/2T 61.9K-F	2004-002022	1/2T 51K-F
R425	2004-001399	1/2T 5.1K-F	2004-001376	1/2T 11K-F
C403	2303-000118	C-PP 1.6KV 103	2306-000237	C-PP 1.6KV 632
C407	2306-000351	C-PP 250V 684	2306-001030	C-PP 400V 125
T444	AA26-30004P	FCZ-34A001151	AA26-30004N	FCZ-37A001151



OPTION LIST

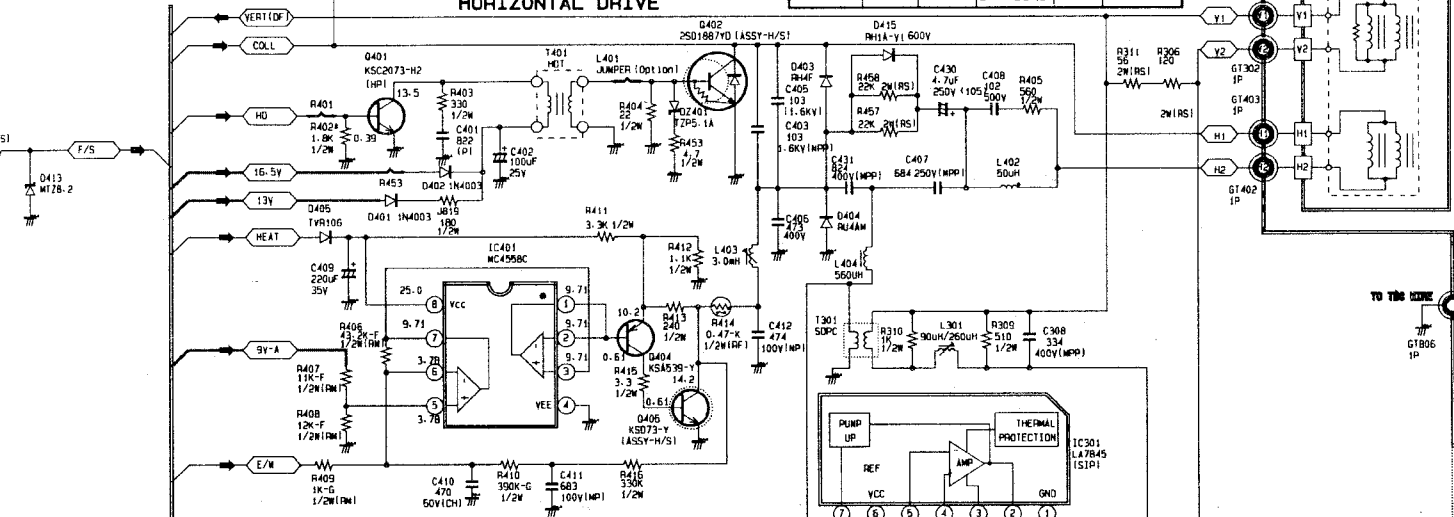
PARTS	LOC.	PREC. VOLT	220V ONLY
BLOCK-CONDENSER	CB14*	C-E 220uF 450V	DELETE
	CB15*	C-E 220uF 450V	C-E 330uF 450V
D-COIL	D-COIL*	AA27-200029	AA27-20003K
TRANS	TB01*	AA26-20005M	AA26-20006N
	RB31*	1/2 100	1/2 43
	RB10*	R-METAL-PLATE	R-METAL-PLATE
POSTISTOR	RB01*	2PIN POSTISTOR	
		312PIN POSTISTOR	

TO MAIN PWB  
 YAA256-12-50 12P

FILE NAME 1

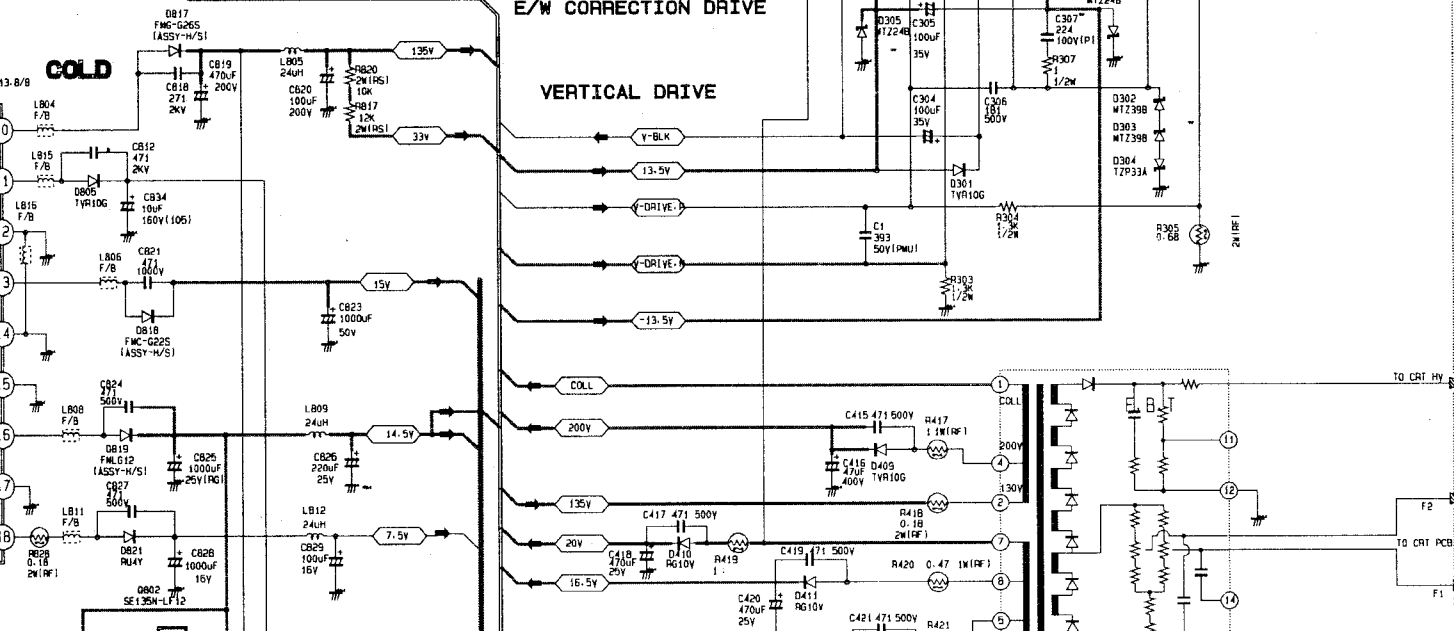
JOB-NO	TEAM	NODE	DESIGN	OPR	EDIT
	PAL	NC17	S. H. SONG		97/12/23

### HORIZONTAL DRIVE

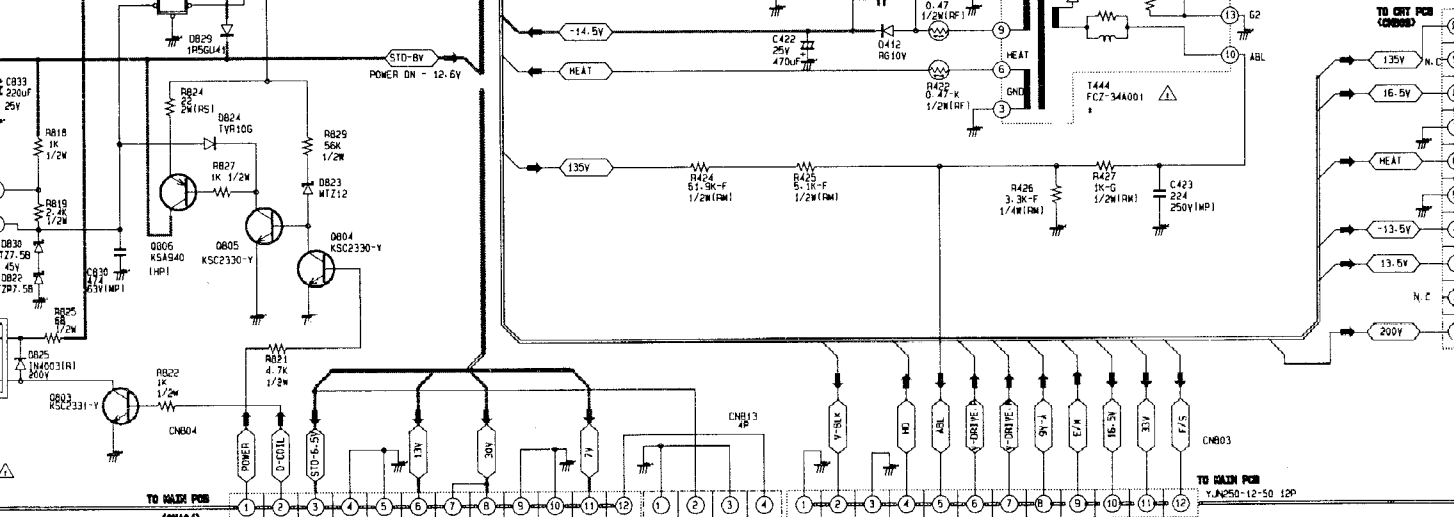
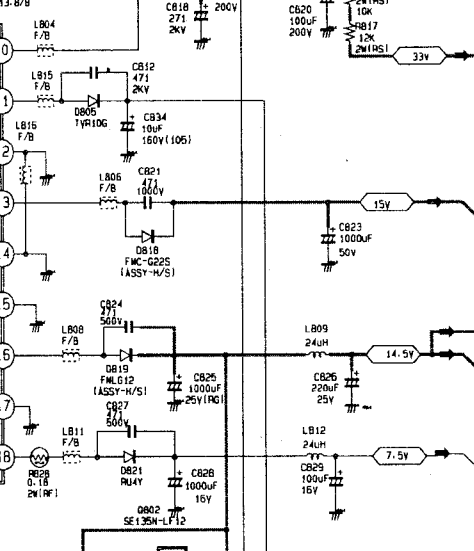


### E/W CORRECTION DRIVE

### VERTICAL DRIVE



### COLD



YJ250-12-50 12P

YJ250-12-50 12P

CHK 105





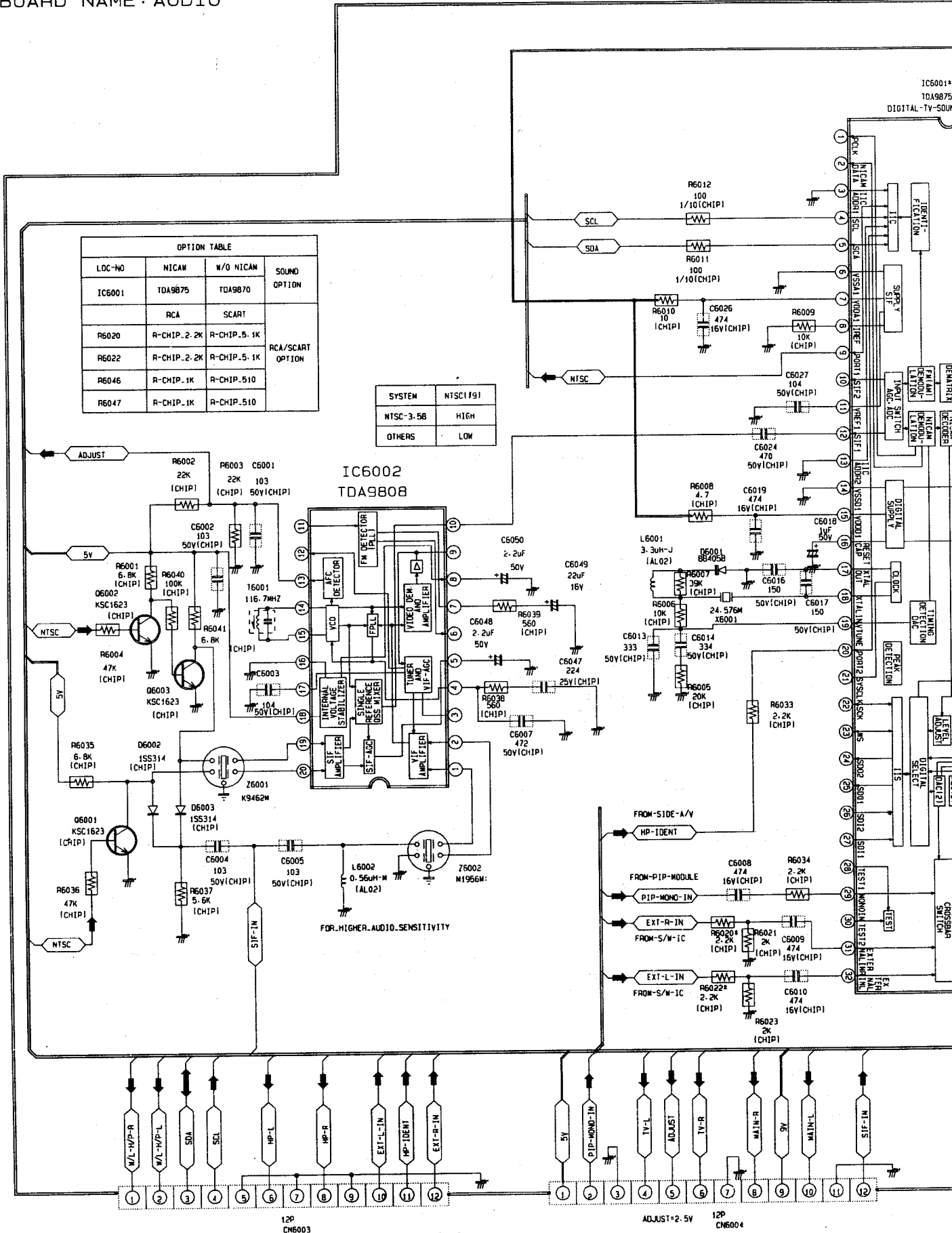
SCHEMATIC DIAGRAM

12-7 AUDIO

CHASSIS: SCT55A

MODEL: CS722A/CS762A/CS761A/CS3001A/CS3403A/CS3703A/CS3403A/CS823A /CS7

BOARD NAME: AUDIO



OPTION TABLE

LOC-NO	NICAM	W/O NICAM	SOUND OPTION
IC6001	TDA9875	TDA9870	OPTION
	RCA	SCART	RCA/SCART OPTION
R6020	R-CHIP-2.2K	R-CHIP-5.1K	
R6022	R-CHIP-2.2K	R-CHIP-5.1K	
R6046	R-CHIP-1K	R-CHIP-510	
R6047	R-CHIP-1K	R-CHIP-510	

SYSTEM	NTSC I (9)
NTSC-3.58	HIGH
OTHERS	LOW

IC6001: TDA9875  
DIGITAL-TV-SOUND

12P CN6003

ADJUST=2.5V 12P CN6004

