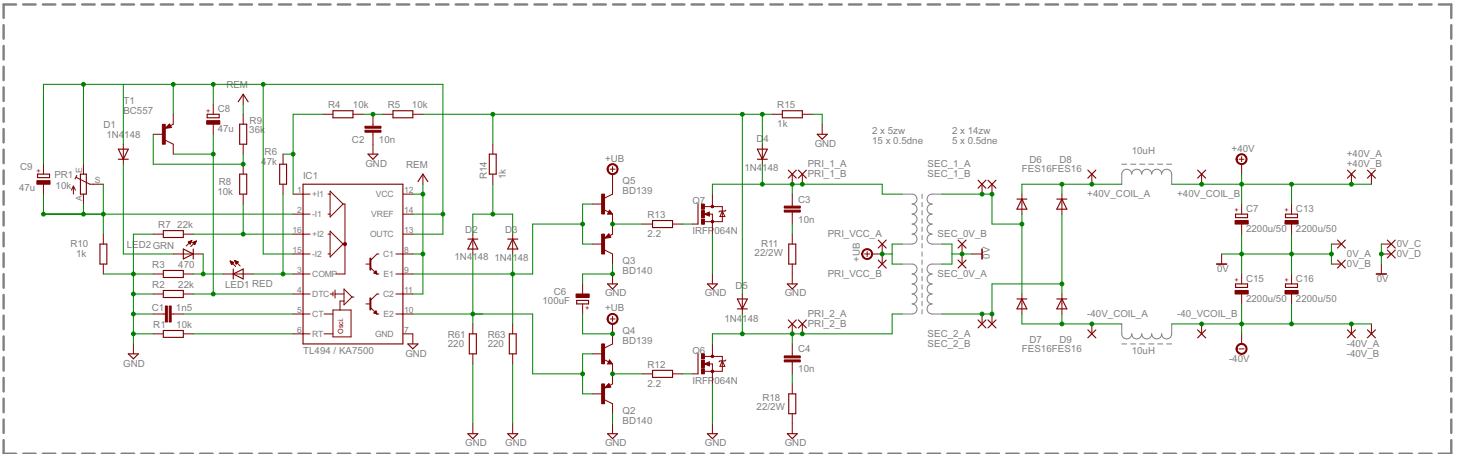
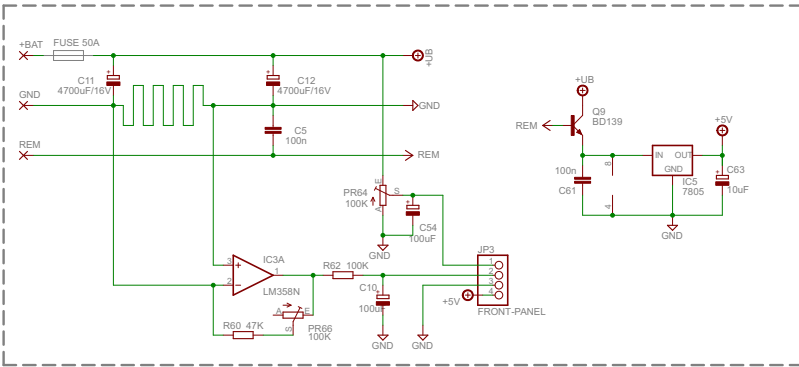


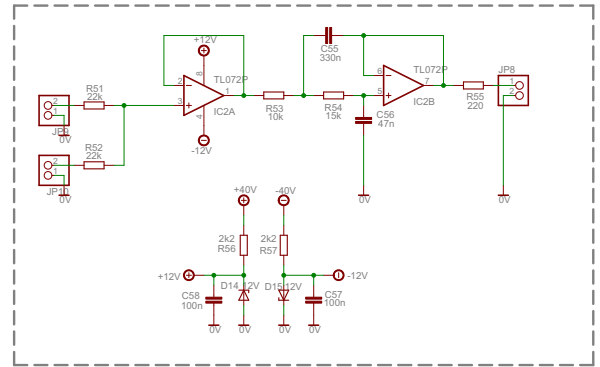
PUSH-PULL CONVERTER



POWER SUPPLY



LOW-PASS FILTER



TDA7294 AMPLIFIERS

