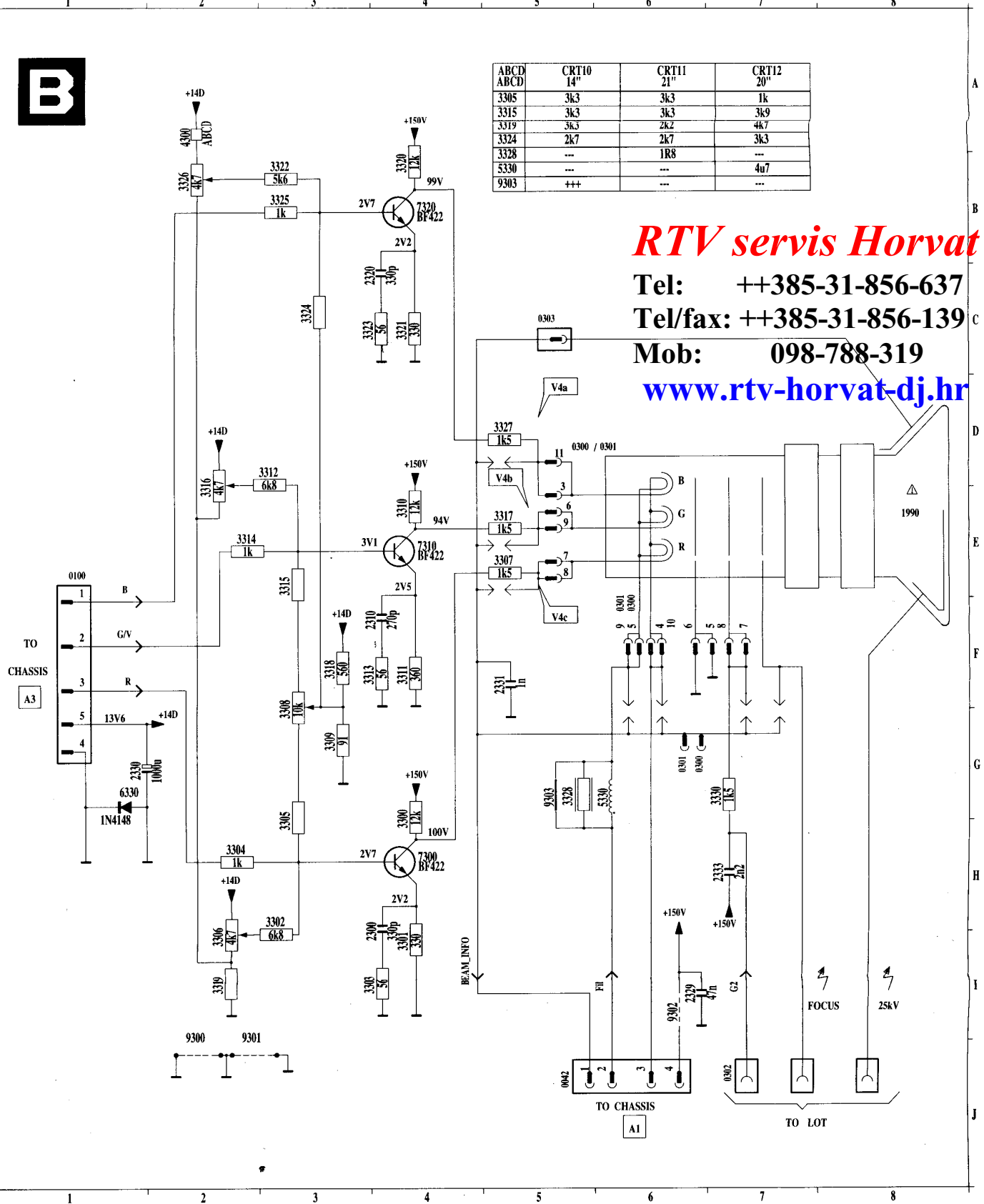


0042 E 1	0100 E 1	0300 F 6	0301 D 6	0301 G 6	2329 I 6	3302 H 3	3308 F 3	3314 E 2	3320 B 4	3326 B 2	6330 G 1	9302 I 6
0043 E 1	0100 E 1	0300 F 6	0301 D 6	0302 I 7	2330 G 1	3303 I 4	3309 G 3	3315 E 3	3321 C 4	3327 D 5	7300 H 4	9303 G 5
0044 E 1	0100 E 1	0300 F 6	0301 F 6	0303 C 5	2331 F 5	3304 H 3	3310 E 4	3316 D 2	3322 B 3	3328 G 5	7310 E 4	
0045 E 1	0300 D 5	0300 F 6	0301 F 6	0304 H 4	2332 G 7	3305 G 3	3311 F 4	3317 D 2	3323 C 4	3329 G 7	7320 B 4	
0100 E 1	0300 D 5	0300 G 6	0301 F 6	0310 F 4	2333 G 4	3306 G 3	3312 D 3	3318 E 3	3324 C 3	4300 G 7	9300 I 2	
0100 E 1	0300 D 5	0301 D 6	0301 F 6	0320 C 4	3301 I 4	3307 E 5	3313 F 4	3319 I 2	3325 B 3	5330 G 6	9301 J 2	

B

ABCD	CRT10 14"	CRT11 21"	CRT12 20"
3305	3k3	3k3	1k
3315	3k3	3k3	3k9
3319	3k3	2k2	4k7
3324	2k7	2k7	3k3
3328	--	1R8	--
5330	--	--	4u7
9303	+++	--	--

RTV servis Horvat
 Tel: ++385-31-856-637
 Tel/fax: ++385-31-856-139
 Mob: 098-788-319
www.rtv-horvat-dj.hr

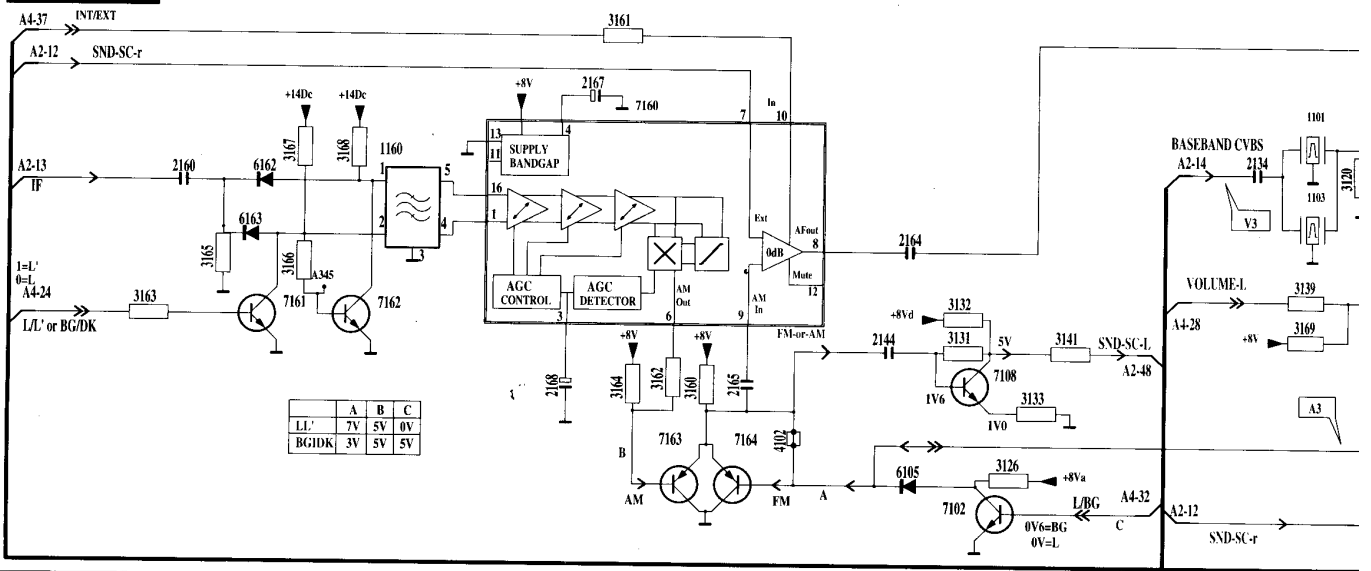


0070 C18 0100 G21 1100 A13 2107 C13 2117 K14 2121 I17 2127 H12 2131 R11 2145 D11 2167 B5 3107 K15 3116 J21 3126 D8 3137 J15 3142 C13 3163 C4
 0070 C18 0100 G21 1100 B10 2119 K18 2118 K13 2124 I17 2126 H12 2131 R11 2145 D11 2167 B5 3107 K15 3116 J21 3126 D8 3137 J15 3142 C13 3163 C4
 0070 C18 0100 G21 1100 B3 2116 K15 2122 H15 2128 F14 2129 K13 2141 C14 2141 C7 2165 D6 3104 H12 3113 K12 3120 B11 3133 C8 3141 C9 3162 D3 3166 C3

A3

AM-SOUND

E



	A	B	C
LL'	7V	5V	0V
BGDK	3V	5V	5V

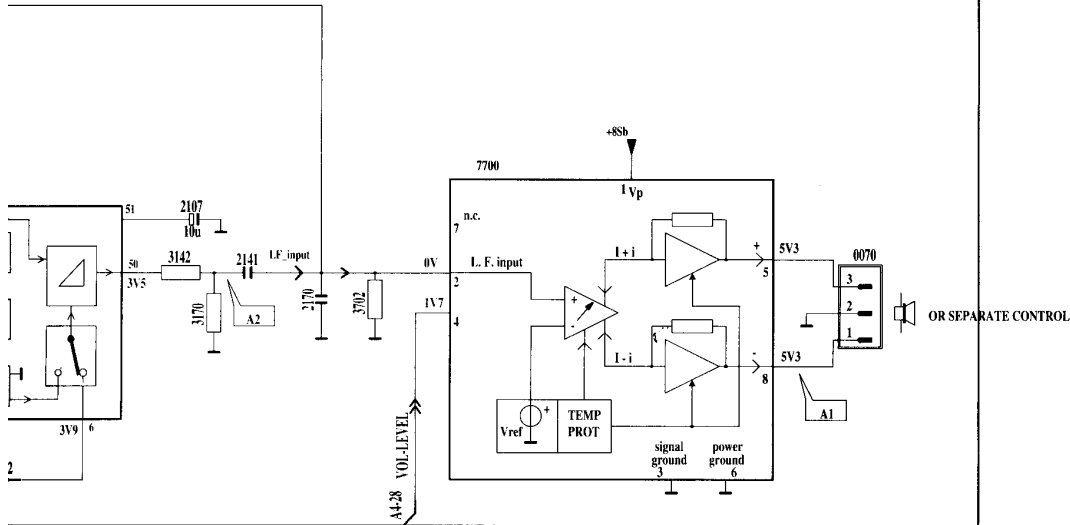
2107 00X0	SCA41 PAL	SCA42 PAL/SECAM	SY570 BG mono	SY571 BG/L/L mono	SY572 I mono	SY573 BG/DK mono	SY574 BG(2Sc)	SY575 BG/DK(2Sc)	SY576 NIC BG	SY577 NIC I	SY578 NIC L
1101			5M5	5M5	6M	5M5					
1103						6M5					6M5
1160				OFWL9453M							
2126		100n									
2127		100n									
2128		220n									
2133			1n	1n	1n	1n					
2134			47p	47p	47p	47p					
2141			100n		100n	100n					
2144			220n	220n	220n	220n					
2145			3n9	3n9	3n9	3n9					
2160				4n7							
2164				100n							
2165				220n							
2167				4u7							
2168				4u7							
2170				1n5	1n5	1n5					
3109		0R									
3120			1k	1k	1k	1k					
3126				1k							
3131			390k	390k	390k	390k					1k
3132			680	680	680	680					
3133			180	220	180	180					
3139			3k3		3k3	3k3					
3141			150	150	150	150					
3142			18k		18k	18k					
3160				4k7							
3161				10k							
3162				39k							
3163				22k							
3164				22k							
3165				2k2							
3166				22k							
3167				4k7							
3168				4k7							
3169			RES		RES	RES					
3170			6k8		6k8	6k8					
3702			15k		15k	15k					
4102			50m		50m	50m					
6105				1N4148							
6162				1N4148							1N4148
6163				1N4148							
7100	TDA8361/N4	TDA8362E/N4									
7102				BC848B							
7106		TDA8395/N1									BC848B
7108			BC848C	BC848C	BC848C	BC848C					
7160				RES							
7161				BC848B							
7162				BC848B							
7163				BC858B							
7164				BC858B							
7700			TDA7052	TDA7052A	TDA7052	TDA7052					
9111			+++	+++	+++	+++					
9112			+++	+++	+++	+++					
9802			+++	+++	+++	+++					

6102 R18	6102 R3	7100 H18	7107 H16	7162 C3	9104 H21	9802 E11	A2-14 E9	A2-16 L18	A4-09 E19	A4-32 E9	A4-36 L19
6102 R19	9100 C1	7100 H17	7108 R18	7165 D3	9111 D11	A1-08 L19	A2-15 A1	A2-17 L18	A4-34 C4	A4-33 L20	A4-38 L17
6102 D7	7100 H13	7106 F13	7161 C3	7700 B15	9115 C15	A1-08 L15	A2-14 B9	A2-48 D9	A4-28 E15	A4-38 L18	A4-39 L17

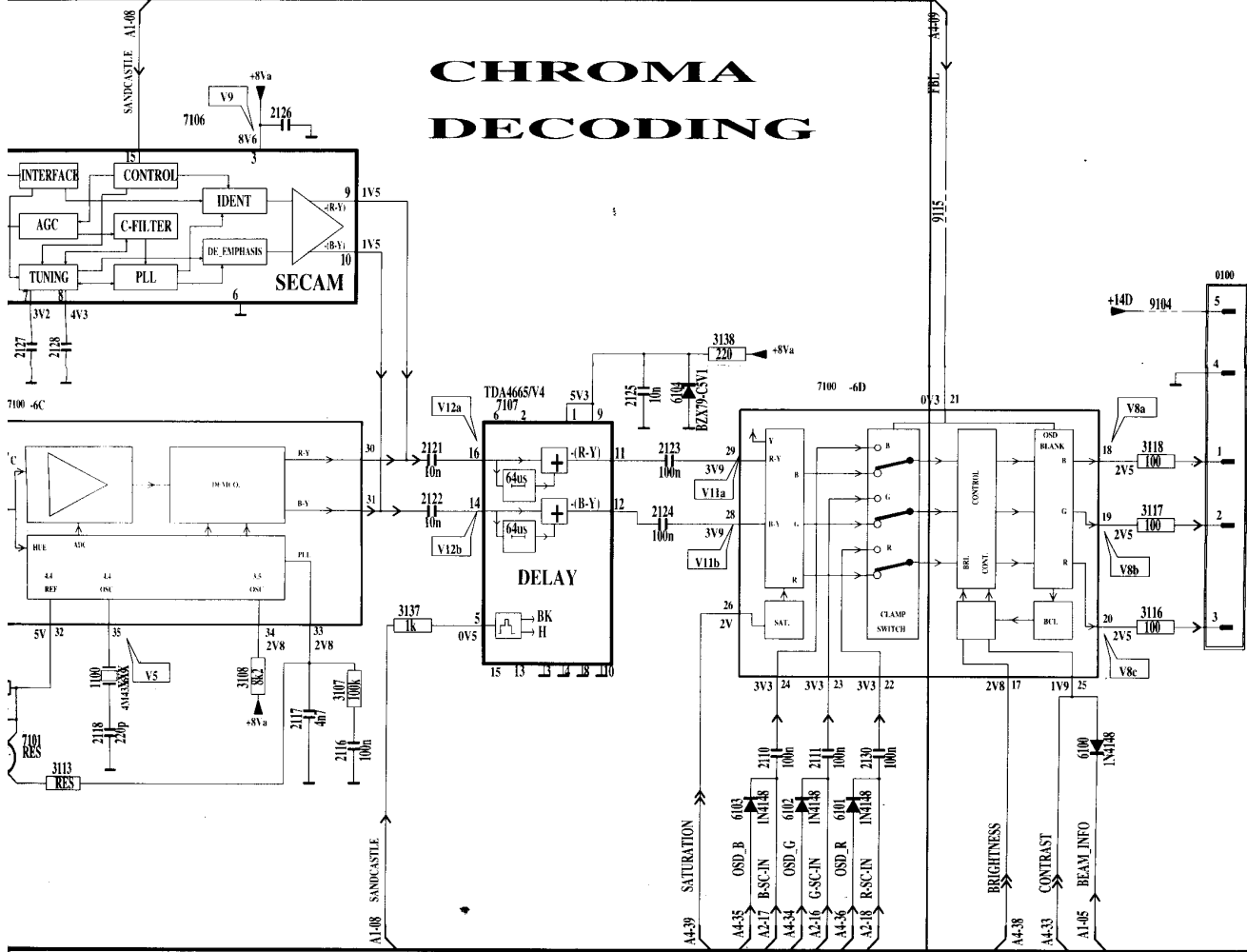
A345 C3

12 13 14 15 16 17 18 19 20 21 22

OUND AUDIO AMPL.



CHROMA DECODING



CRT MODULE

12 13 14 15 16 17 18 19 20 21 22

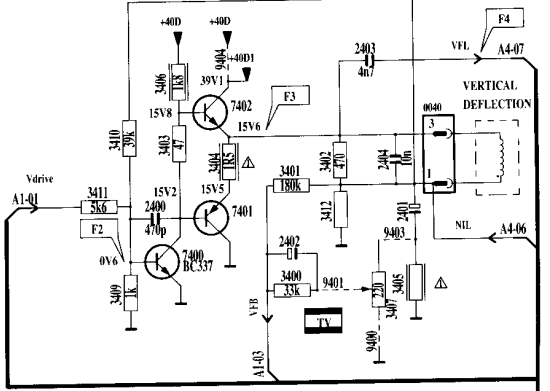
2109 ...
 2401 ...
 2402 ...
 2420 ...
 2422 ...
 2424 ...
 2428 ...
 2516 ...
 3144 ...
 3405 ...
 3412 ...
 3420 ...
 3425 ...
 3430 ...
 3432 ...
 3505 ...
 3507 ...
 3514 ...
 3515 ...
 5422 ...
 5424 ...
 7401 ...
 7402 ...
 9424 ...
 9500 ...

A1

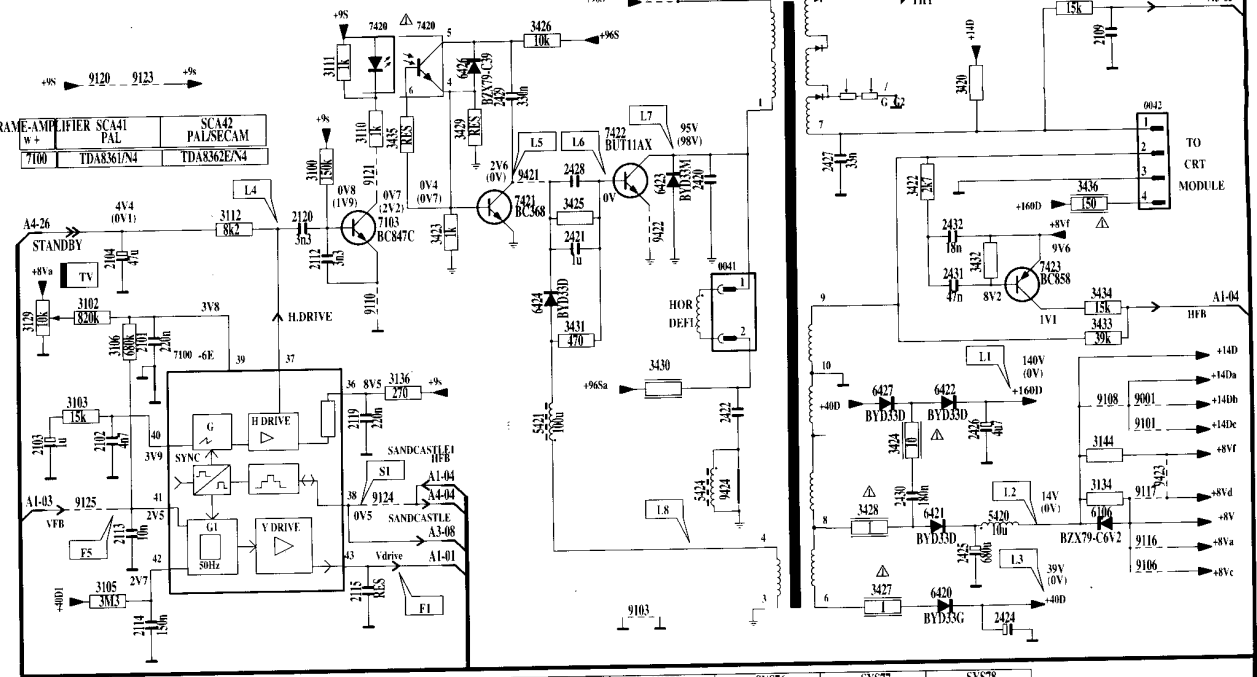
SYNC

FRAME-AMPLIFIER CRT10	CRT11	CRT12
2109 ...	270m
2401 680u ...	680u ...	680u ...
2402 1u5 ...	1u5 ...	1u ...
2420 7n5 ...	10m ...	10m ...
2422 330n ...	470n ...	560n ...
2424 680u ...	1000u ...	1000u ...
2428 RES ...	1u
2516 47u ...	68u ...	47u ...
3144 470 ...	470 ...	RES ...
3405 4R7 ...	3R3 ...	3R3 ...
3412 2k2 ...	2k2 ...	2k2 ...
3420 15k ...	15k ...	15k ...
3425 12 ...	12 ...	12 ...
3430 1k ...	820 ...	820 ...
3432 560k ...	560k ...	2M2 ...
3505 ...	150
3507 1k5 ...	1k2 ...	1k2 ...
3514
3515
5422 C5632-01	G7529.00 THCF	G7529.00 THCF
5424 ...	LIN CORR	LIN CORR
7401 BD136	BD129	BD129
7402 BD137	BD128	BD128
9424
9500

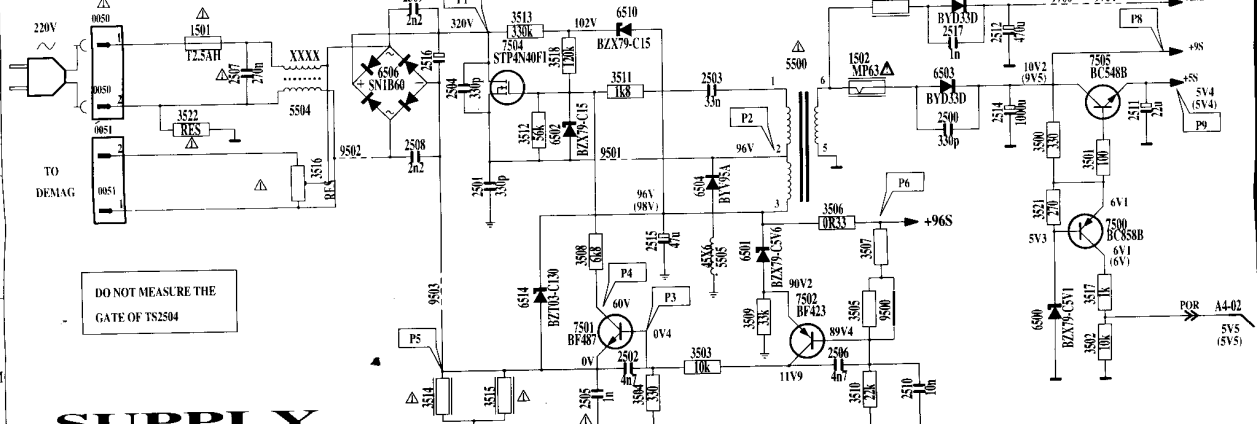
FRAME-AMPLIFIER



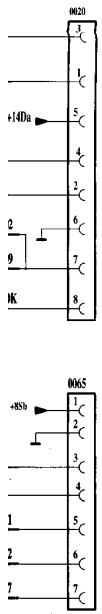
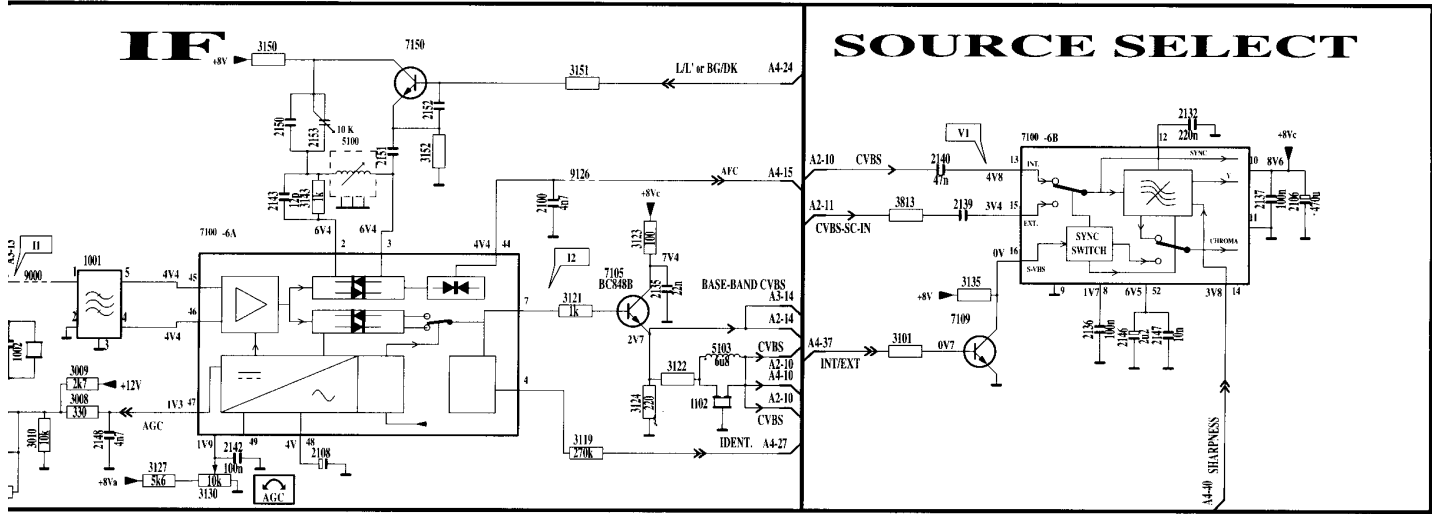
FRAME-AMPLIFIER SCA41	SCA42
7100 TDAR361/N4	TDAR362E/N4



SVS70	SVS71	SVS72	SVS73	SVS74	SVS75	SVS76	SVS77	SVS78
BG mono	BG/L/L mono	1 mono	BG/DK mono	BG(2sc)	BG/DK(2sc)	NIC BG	NIC I	NIC L
3134 47	27	47	33	47	39	47	47	33
3523 3R3	3R3	3R3	3R3	1R	1R	1R	1R	1R



SUPPLY



STEREO SOUND MODULE

Part No.	SCA41 PAL	SCA42 PAL/SECAM	SYST0 BG mono	SYST1 BG/L/L' mono	SYST2 I mono	SYST3 BG/DK mono	SYST4 BG(2Sc)	SYST5 BG/DK(2Sc)	SYST6 NIC BG	SYST7 NIC I	SYST8 NIC L	TUN60 U
1000	CV913											
0020									+++	+++	+++	
0065									+++	+++	+++	
1000												US43
1001			OFWG1961M	OFWG1965M	OFWJ1952M	OFWK2955M	OFWG1984M	OFWK2962M	OFWG1984M	OFWJ1980M	OFWK3953M	
1002						RES						
1102			TPS 5.5/5.74	TPS 5.5/5.74	TPS 6.0	TPS 5.5/5.74/6.5	TPS 5.5/5.74	TPS 5.5/5.74/6.5	TPS 5.5/5.74	TPS 6.0	TPS 5.5/5.74	
2001			100u	470u	100u	100u	100u	100u	100u	100u	470u	
2003												
2108			1u	1u	1u	1u	1u	1u	1u	1u	1u	
2139	47n	47n										
2150				18p							18p	
2151				4n7							4n7	
2152				4n7							4n7	
2153				10p							10p	
2161	220n	220n										
2801	3n3	3n3										
2802	680p	680p										
2803	100n	100n										
2806		680p										
2808	330p	330p										
2813	10u	10u										
3001												
3002												
3003												
3004												
3005												
3006												
3007												
3011			4k7	4k7	4k7	4k7	4k7	4k7	4k7	4k7	4k7	
3012												15
3013												
3014												
3101	47k	47k										
3122			150	150	220	150	150	150	150	150	150	
3125	2k2	2k2										
3150				150k							150k	
3151				10k							10k	
3152				4%							4%	
3622	100	100										
3801	150	150										
3802	6k8	6k8										
3803			4k7	4k7	4k7	4k7						
3804	82	82										
3805	4k7	4k7										
3806	220	220										
3808	6k8	6k8										
3813	100	100										
3820	75	75										
3825	560	560										
4002												
4800			50m	50m	50m	50m						50m
4801			50m	50m	50m	50m						
6000				IN4148							IN4148	
6001				IN4148							IN4148	
7000												
7001												
7002												
7100	TDAR361N/4	TDAR362E/N/4										
7109	BC848B	BC848B										
7150				BC848B								
7804	BC848B	BC848B										BC848B
9100	+++	+++										
9102												+++
9109												
9601								+++	+++	+++	+++	
9602								+++	+++	+++	+++	
9607								+++	+++	+++	+++	

Modification Kit

PHILIPS

S.O.P.S. (ES7062)

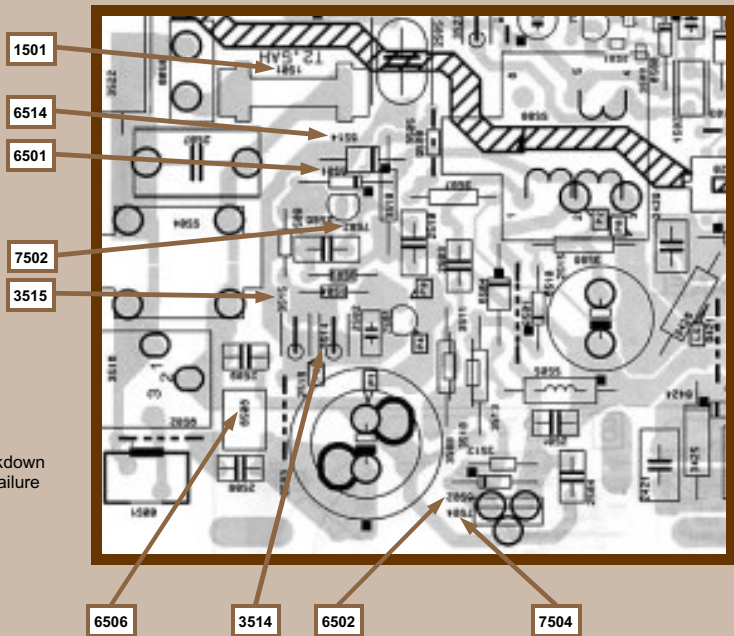
L6.1 - L6.2 AA CHASSIS

Position	Description	Qty
1501	Fuse 2.5Amp 250v	1
3514/3515	1R 5% 0.33w	2
6501	BZX79 B5v6	1
6502	BZX79 C15	1
6506	S1NB60	1
6514	BZT03-C200*	1
7502	BF423	1
7504	STP4N40FI	1

This service kit includes all the parts that may be damaged by breakdown of the S.O.P.S. powersupply. As mutual influences caused by the failure of one part are possible, in general all parts should be exchanged.

Warning: The use of non Philips components may lead to impaired performance and may result in damage to your TV.

Order Code..... P10663



RTV servis Horvat

Tel: ++385-31-856-637

Tel/fax: ++385-31-856-139

Mob: 098-788-319

www.rtv-horvat-dj.hr