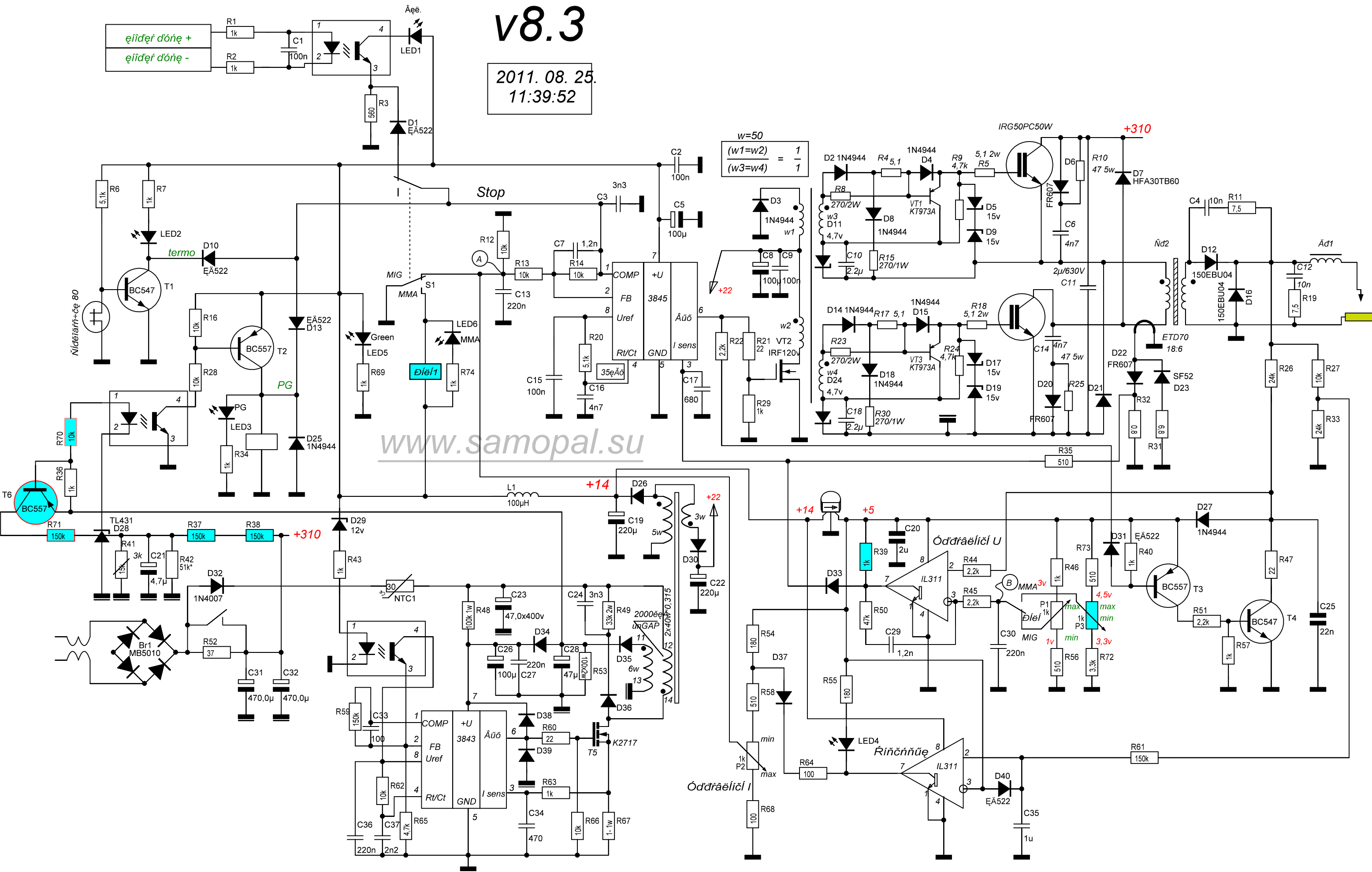


v8.3

2011. 08. 25.
11:39:52

$$\frac{w=50}{\frac{(w1=w2)}{(w3=w4)} = \frac{1}{1}}$$



www.samopal.su