

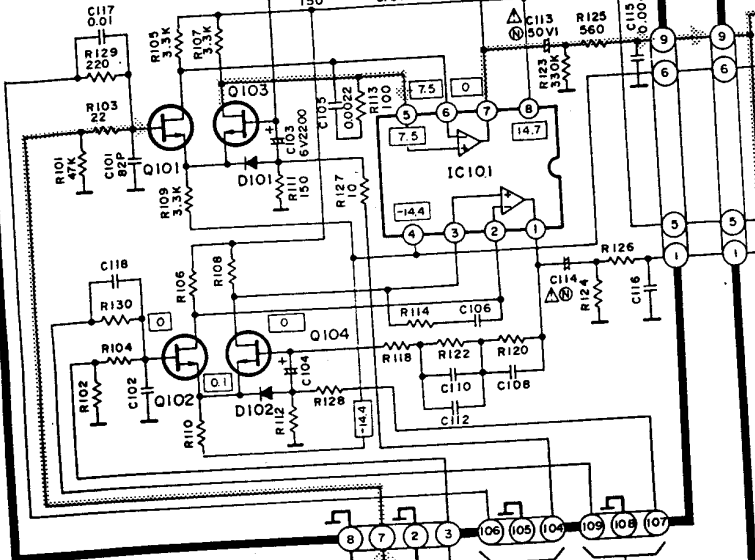
DIFFERENTIAL AMP./ EQUALIZER CIRCUIT

A

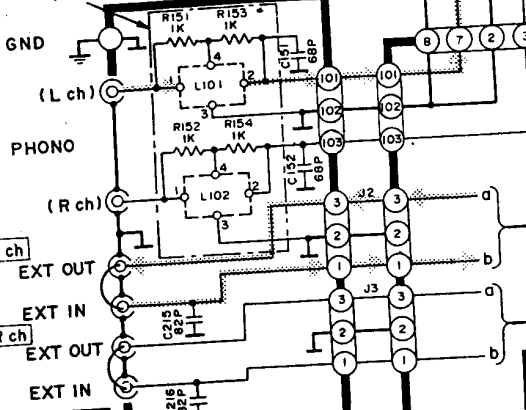
Q101~104
2SK170
FET DIFFERENTIAL AMP.

D101,102
MA165

IC101
SVINJM4559DDM
EQUALIZER

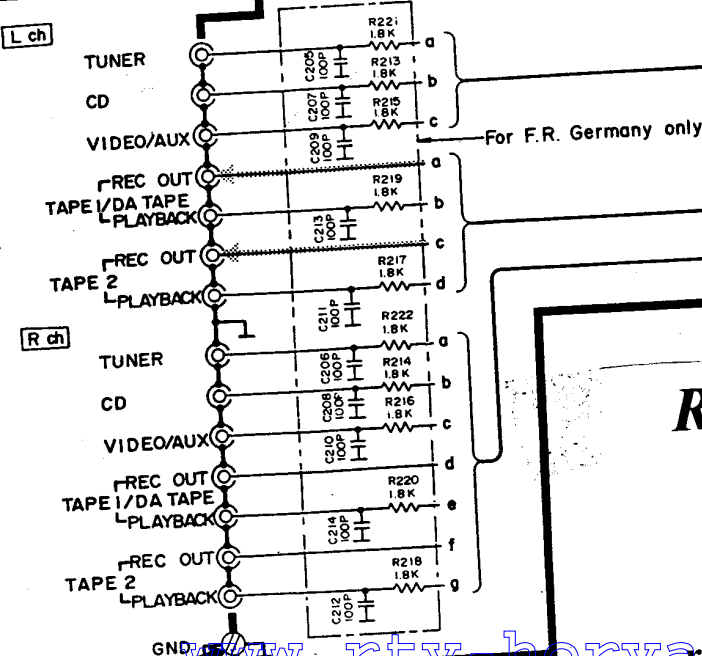


For F.R. Germany only

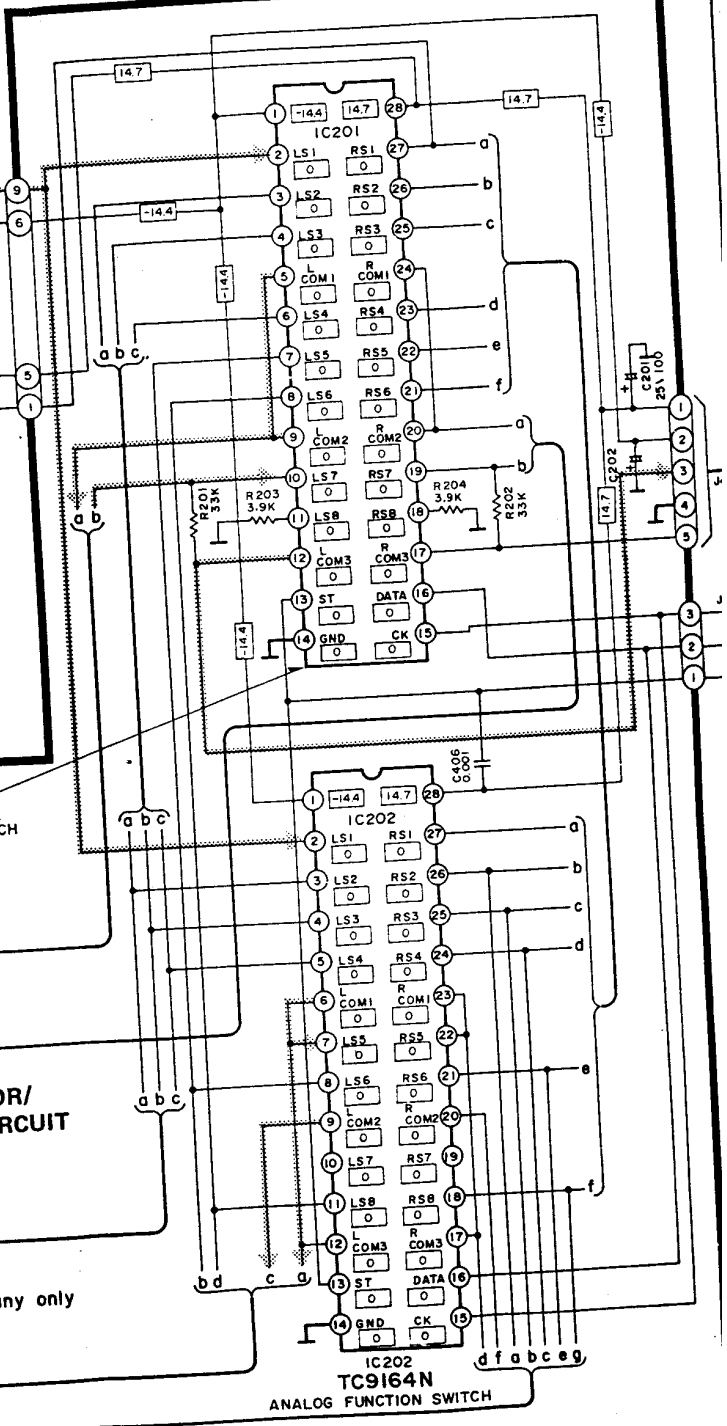


B

C INPUT SELECTOR/
REC SELECT CIRCUIT



For F.R. Germany only



RTV servis Horvat

Kešinci, 31402 Semeljci

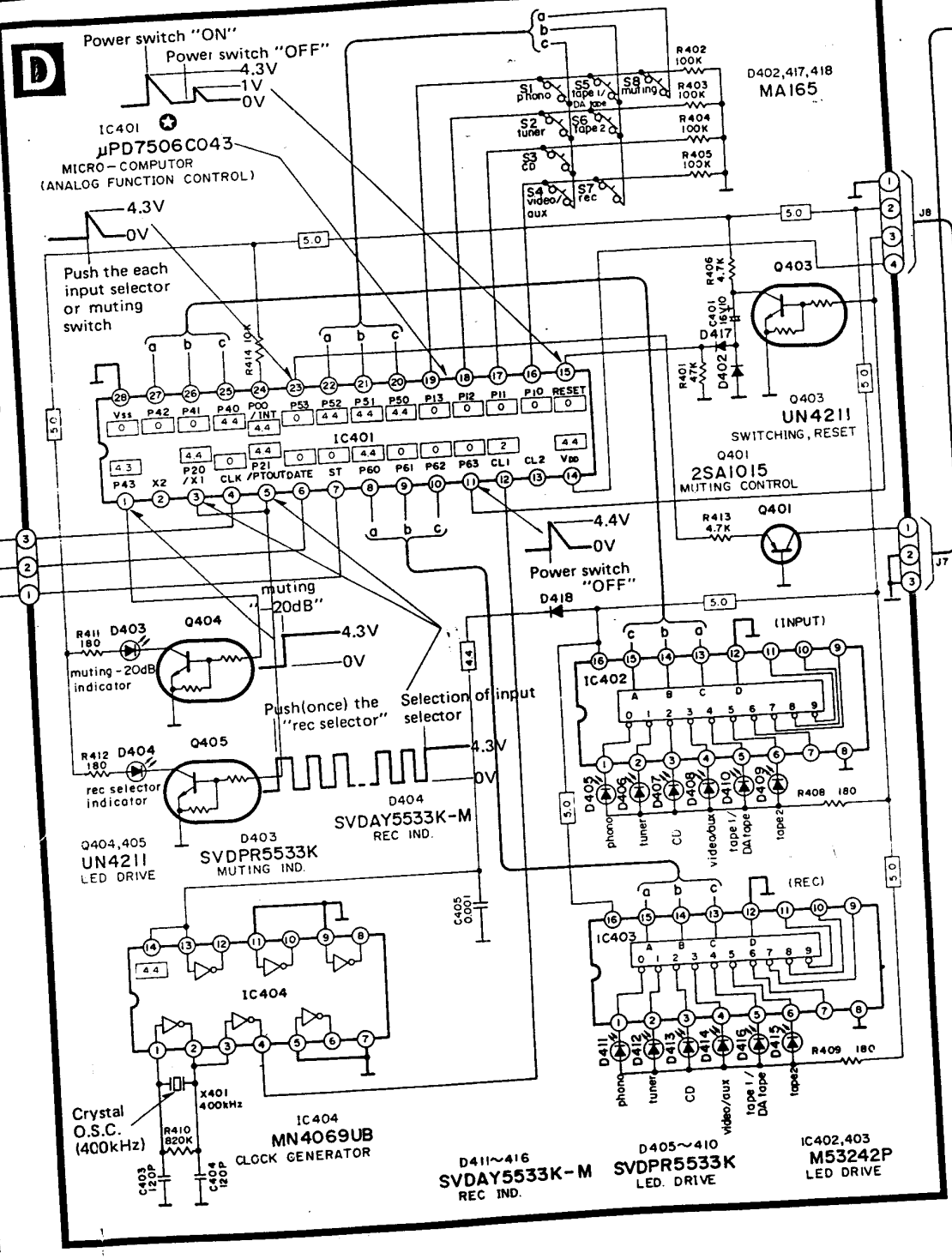
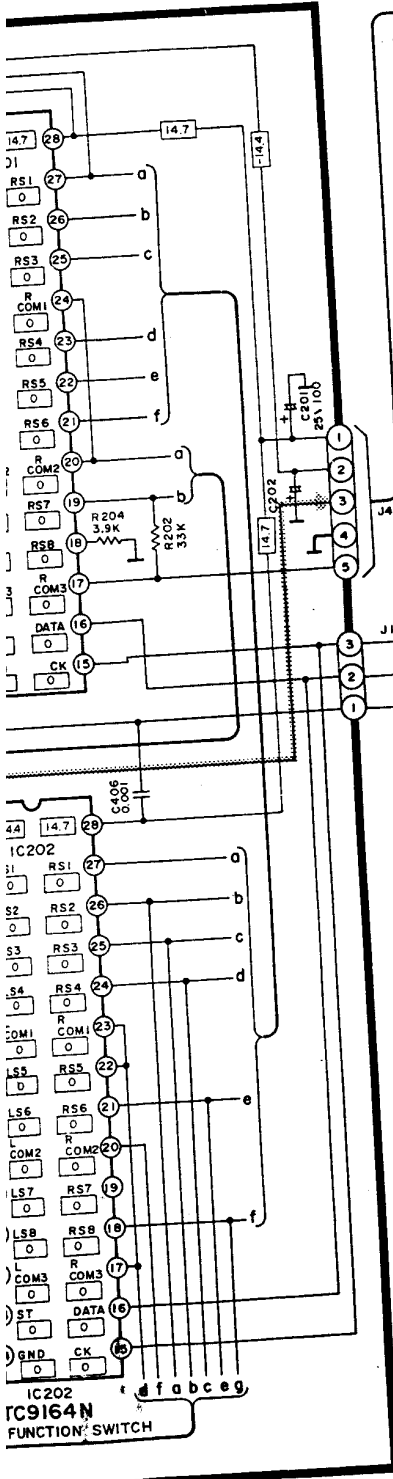
Tel : 031-856-637

Tel / fax : 031-856-139

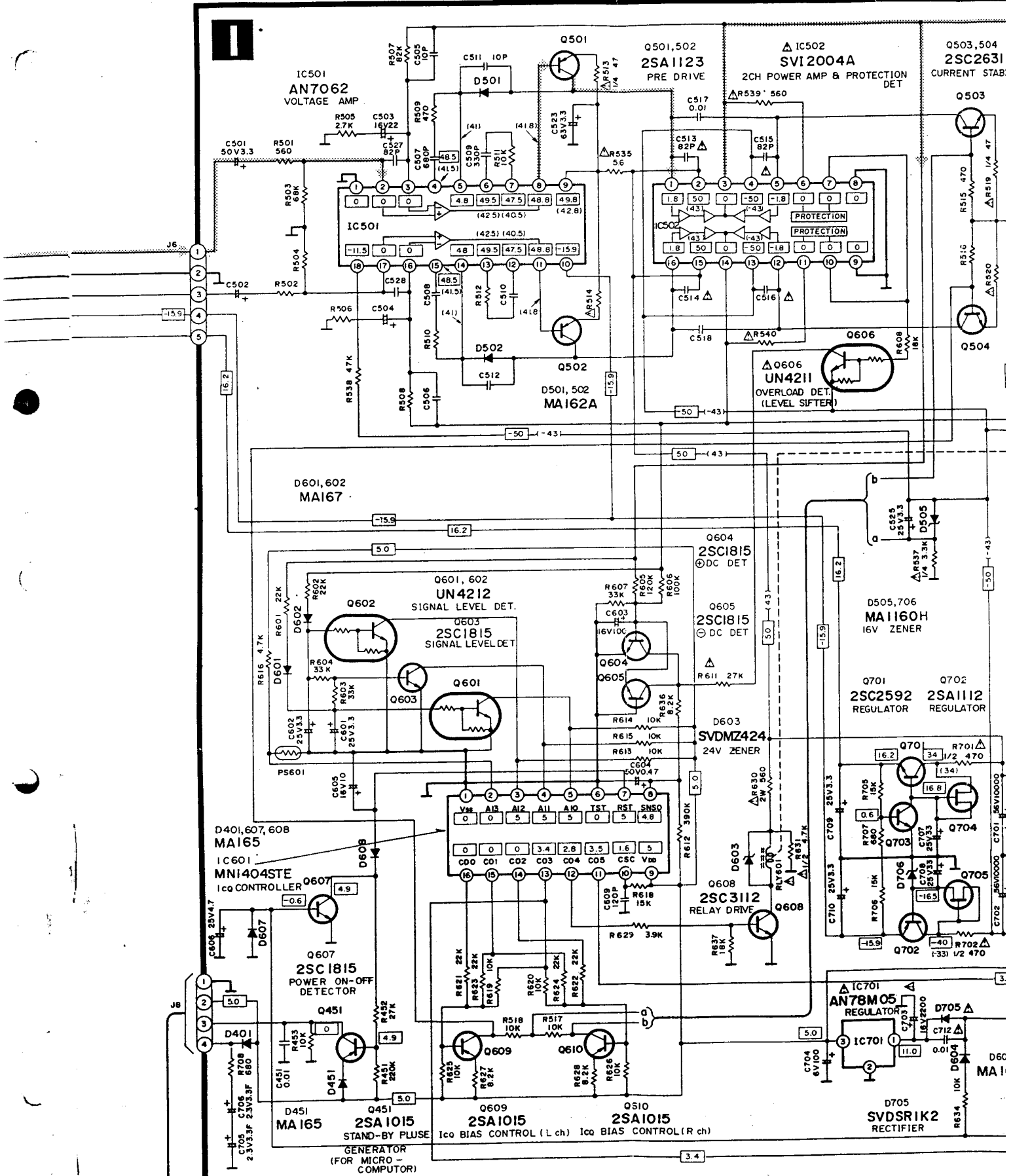
Mob : 098-788-319

www.rtv-horvat.dj.hr rtv-servis-horvat@os.tel.hr

MICRO COMPUTER(FUNCTION CONTROL)/INPUT SELECT SWITCH/REC SWITCH/
LED DRIVE/CLOCK GENERATOR CIRCUIT



Horvat
 Semeljci
 856-637
 856-139
 788-319
 t@os.tel.hr



SPEAKER SELECT CIRCUIT

SCHEMATIC DIAGRAM

(This schematic diagram may be modified at any time with the development of new technology).

The part No. of transistors, IC and diodes mentioned in the schematic diagram stand for production part No. Regarding the part No. with \odot mark, the production part No. are different from the replacement part No. Therefore, when placing an order for replacement parts, please use the part No. in the replacement parts list.

Notes:

1. S1~S6 : Input selector switch in "phono" position.
S1: phono, S2: tuner, S3: CD, S4: video/aux, S5: tape 1/DA tape, S6: tape 2
2. S7 : Recording selector switch in "off" position.
3. S8 : Muting switch in "0dB" position. (0dB \leftrightarrow -20dB)
4. S9-1 : Loudness switch in "off" position. (\blacksquare on, \blacktriangle off)
5. S9-2 : Phono selector switch in "MM" position. (\blacksquare MM, \blacktriangle MC)
6. S10-1 : Subsonic filter switch in "off" position. (\blacksquare off, \blacktriangle on)
7. S10-2 : Tone switch in "defeat" position. (\blacksquare defeat, \blacktriangle on)
8. S11-1 : Main speakers selector switch in "on" position. (\blacksquare off, \blacktriangle on)
9. S11-2 : Remote speakers selector switch in "off" position. (\blacksquare off, \blacktriangle on)
10. S12 : Speaker impedance selector switch in "8 Ω ~ 16 Ω /16 Ω " position. (\blacksquare 8 Ω ~ 16 Ω /16 Ω , \blacktriangle 4 Ω ~ 6 Ω /8 Ω)
11. S13 : Power switch in "on" position.
12. S14 : Voltage selector switch in "220V" position.
110V \leftrightarrow 120V \leftrightarrow 220V \leftrightarrow 240V.

