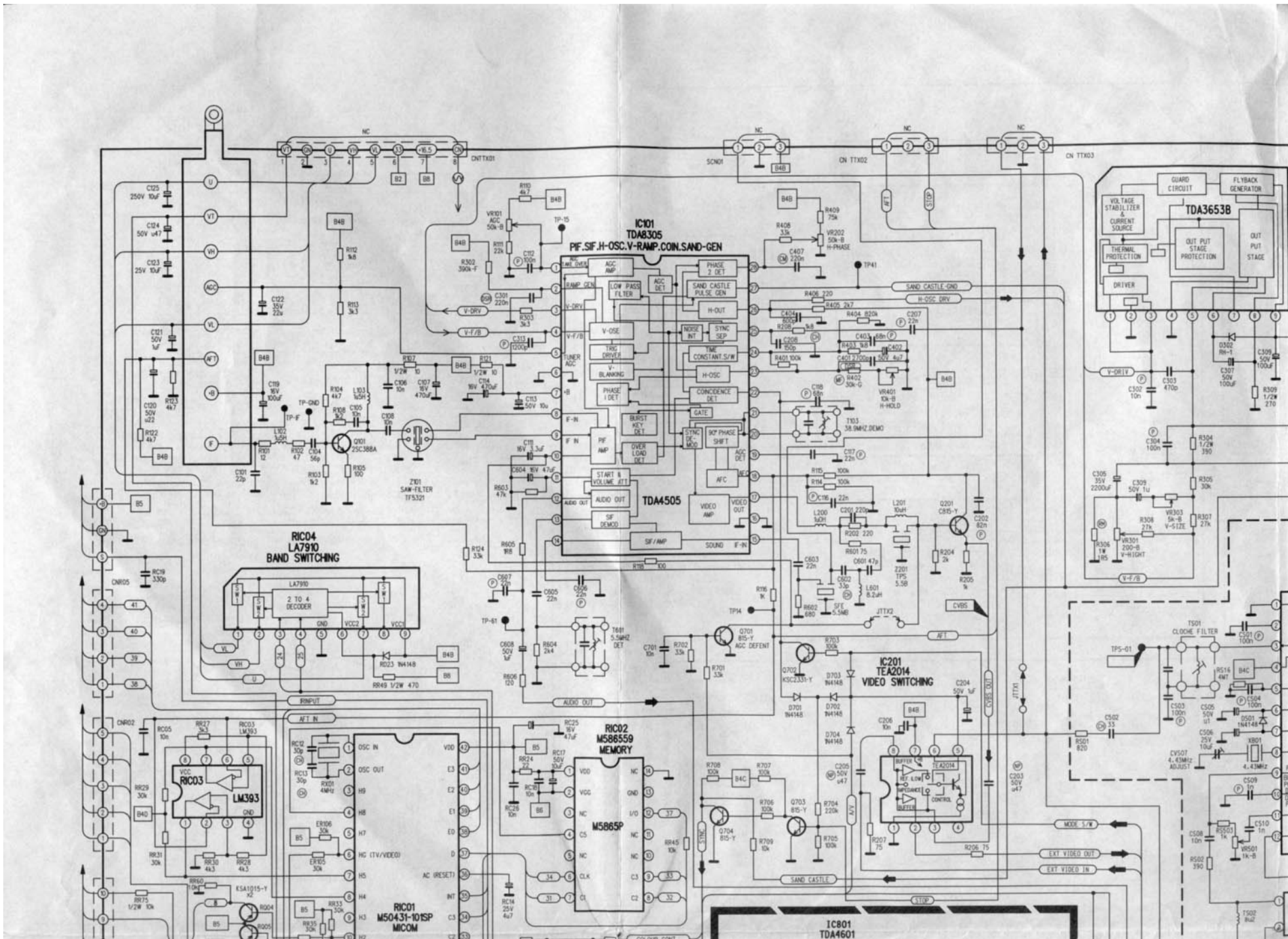
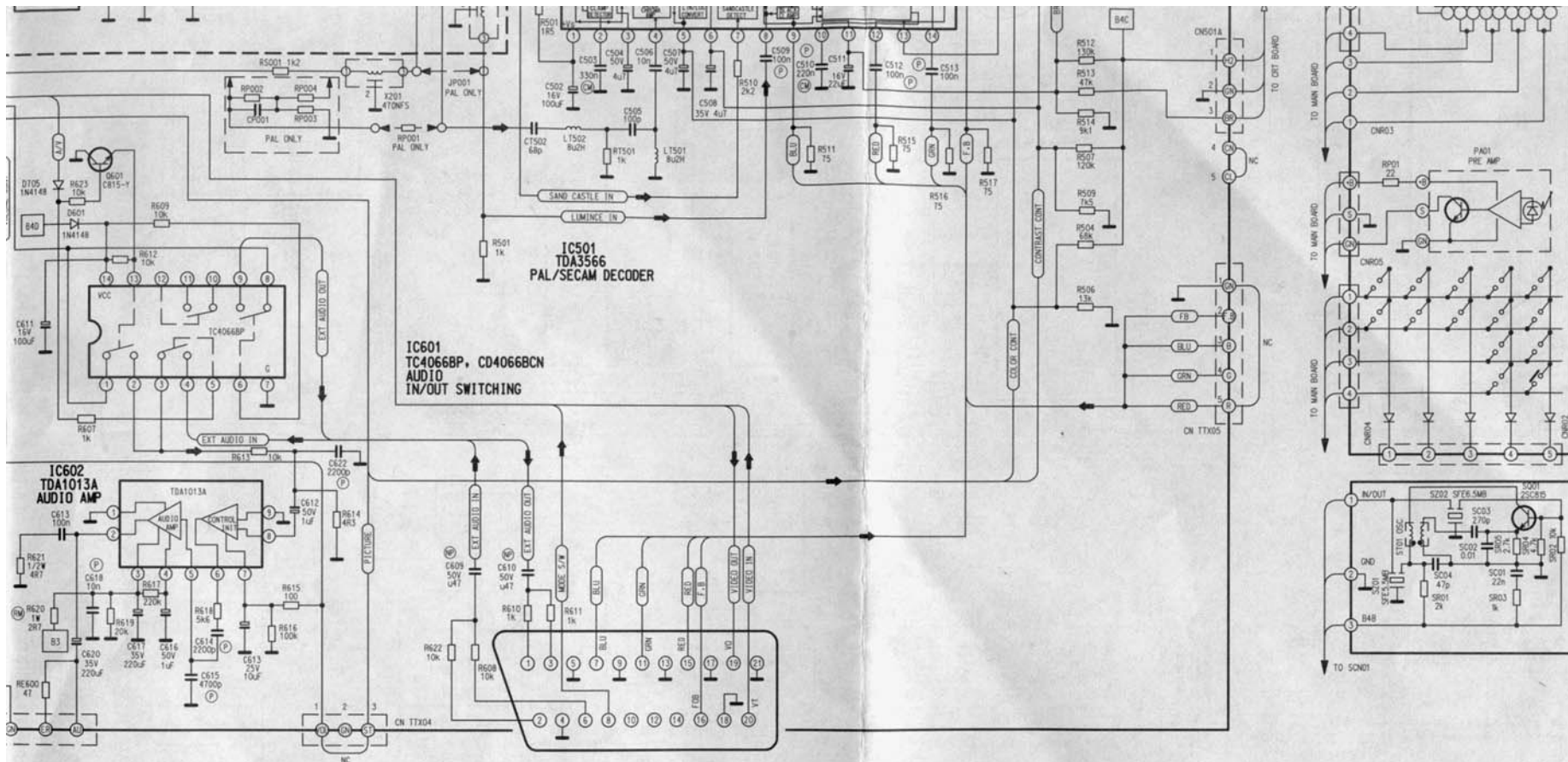


**OTVC Samsung  
CK5312Z  
chassis P-58SH**

Tranzystory		
TYP	OPIS-PARAMETRY	
Ucbo/lc/Ptot/ft		
BF871	Si, npn, Vid, 300V, 0.05A, 5W, 60MHz	BF617, BF
BF423	Si; pnp; Vid, 250V, 0.5A, 0.8W	MPS-A92,





ODPOWIEDNIKI
F758, BF583, BF880, BF615
, BFP25, BF492, BF493

Diody		
TYP	OPIS-PARAMETRY	ODPOWIEDNIKI
1N4003	Si-Di; 200V, 1A, IFSM=30A (10ms)	BY126...127, BY133...134, 1N5614...22, BYT51D...M
1N4148	Si-Di; Re, 100V, 150mA, <4ns	BAW62...76, BAX95, 1N4446...49
RH-1	Si-Di; Re, 400V, 0.6A, <4μs	BY126...127, BY133...134, 1N4004
1S1888	Si-Di; Re, 600V, 1A	BY126...127, BY133...134, 1N4006...07
RH-2F	Si-Di; Re, 1500V, 0.8A, <4.2μs	BY228, BY458, DM513, GP10W...Y

