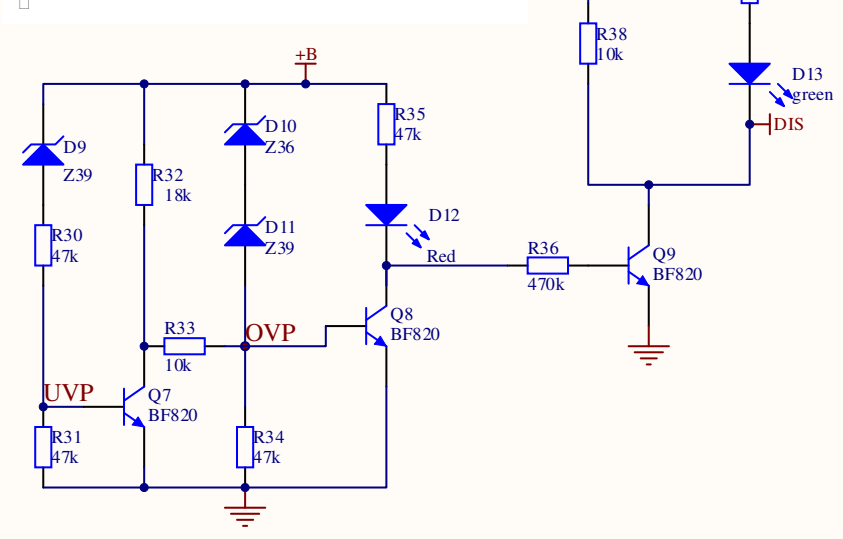


Overvoltage and undervoltage protection circuit with indicator leds.



Title		
400W single supply BTL Ucd amplifier		
Size	Number	Revision
A3		2.0
Date:	2.3.2009	Sheet of
File:	D3Elektronika\Amp2.SCHDOC	Drawn By: Dubravko Mrakuzic